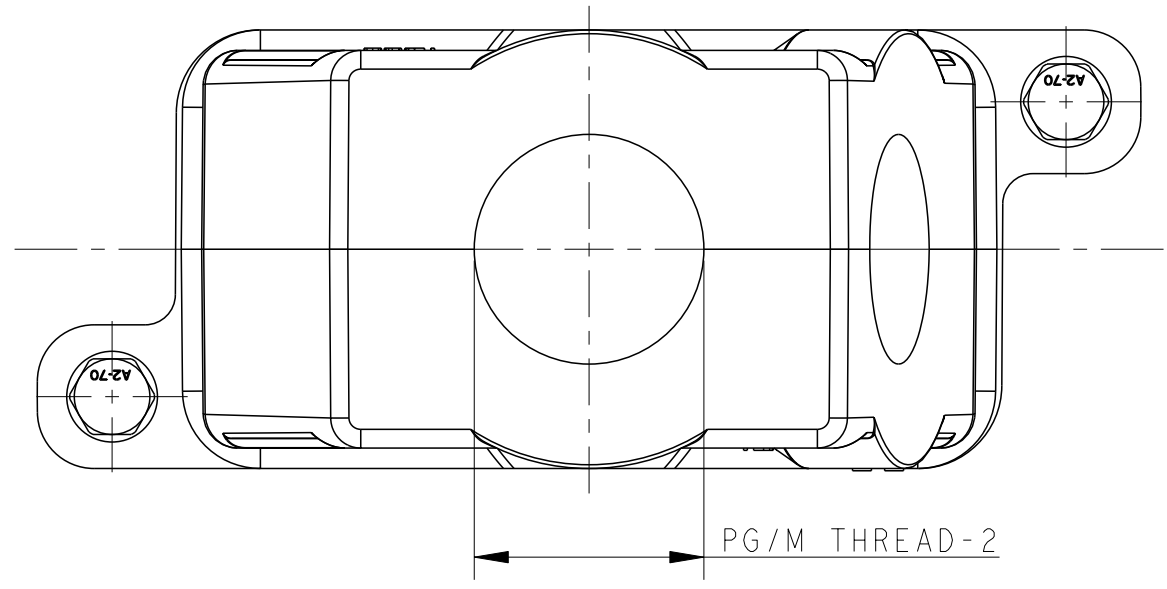


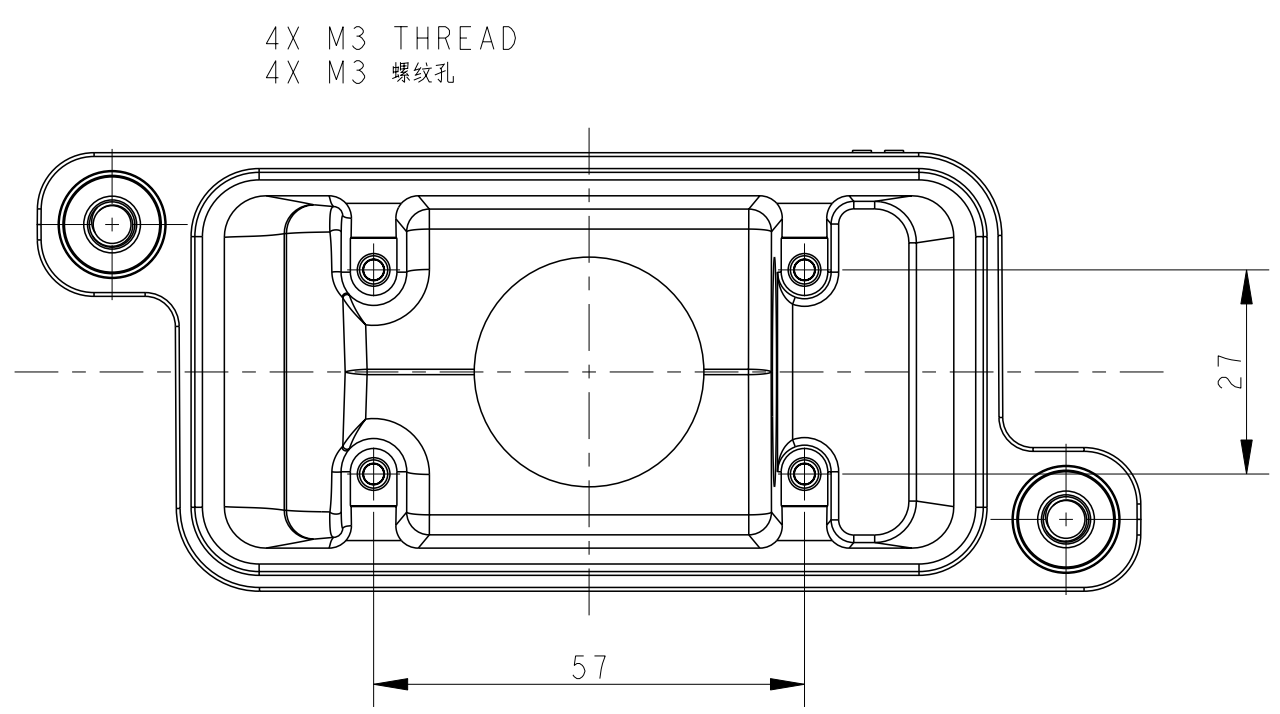
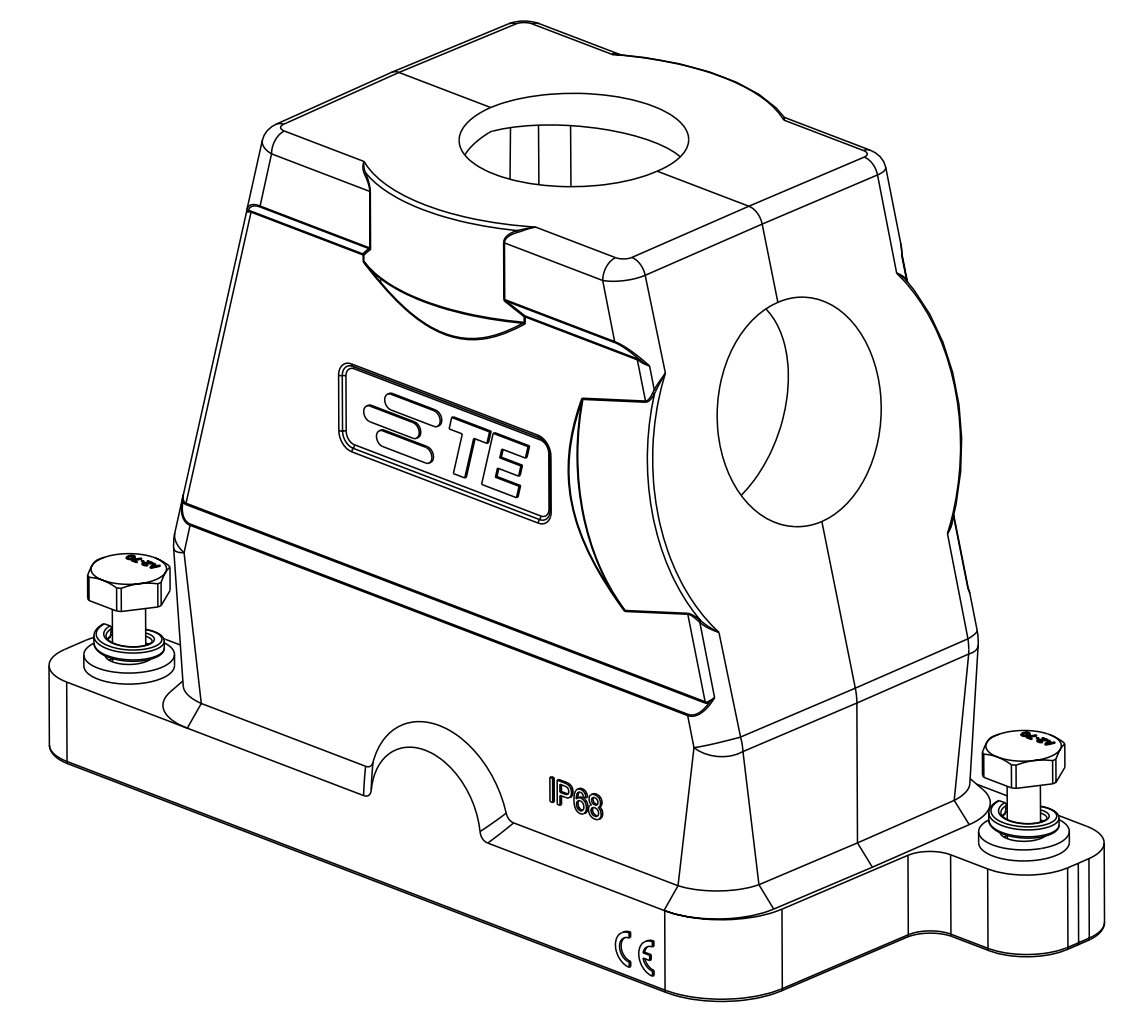
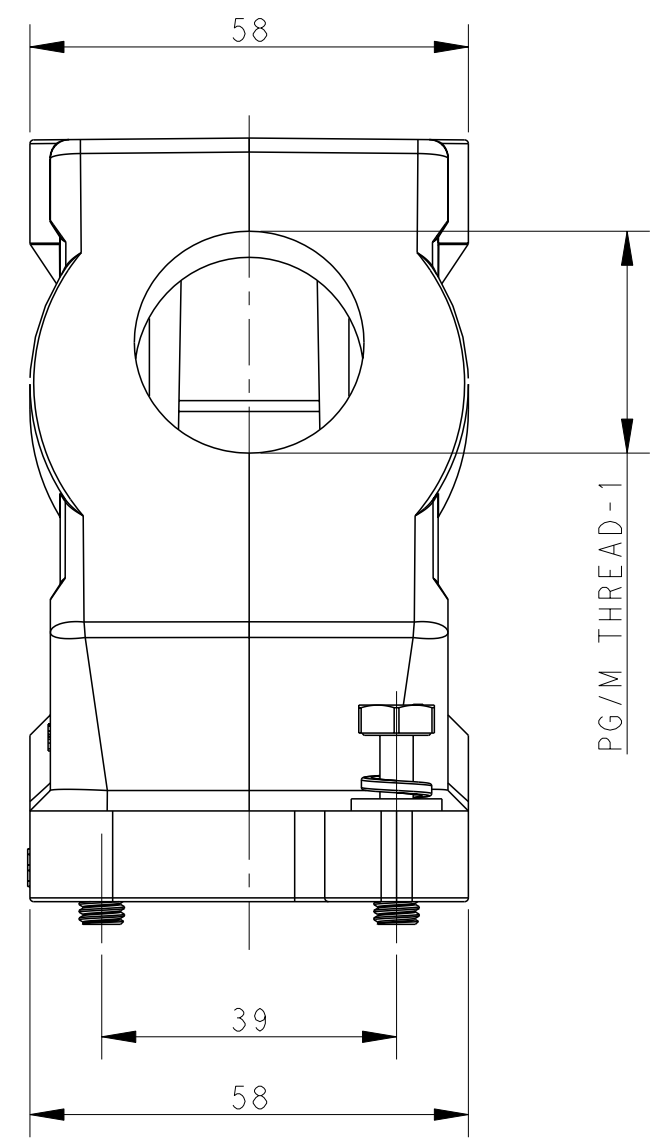
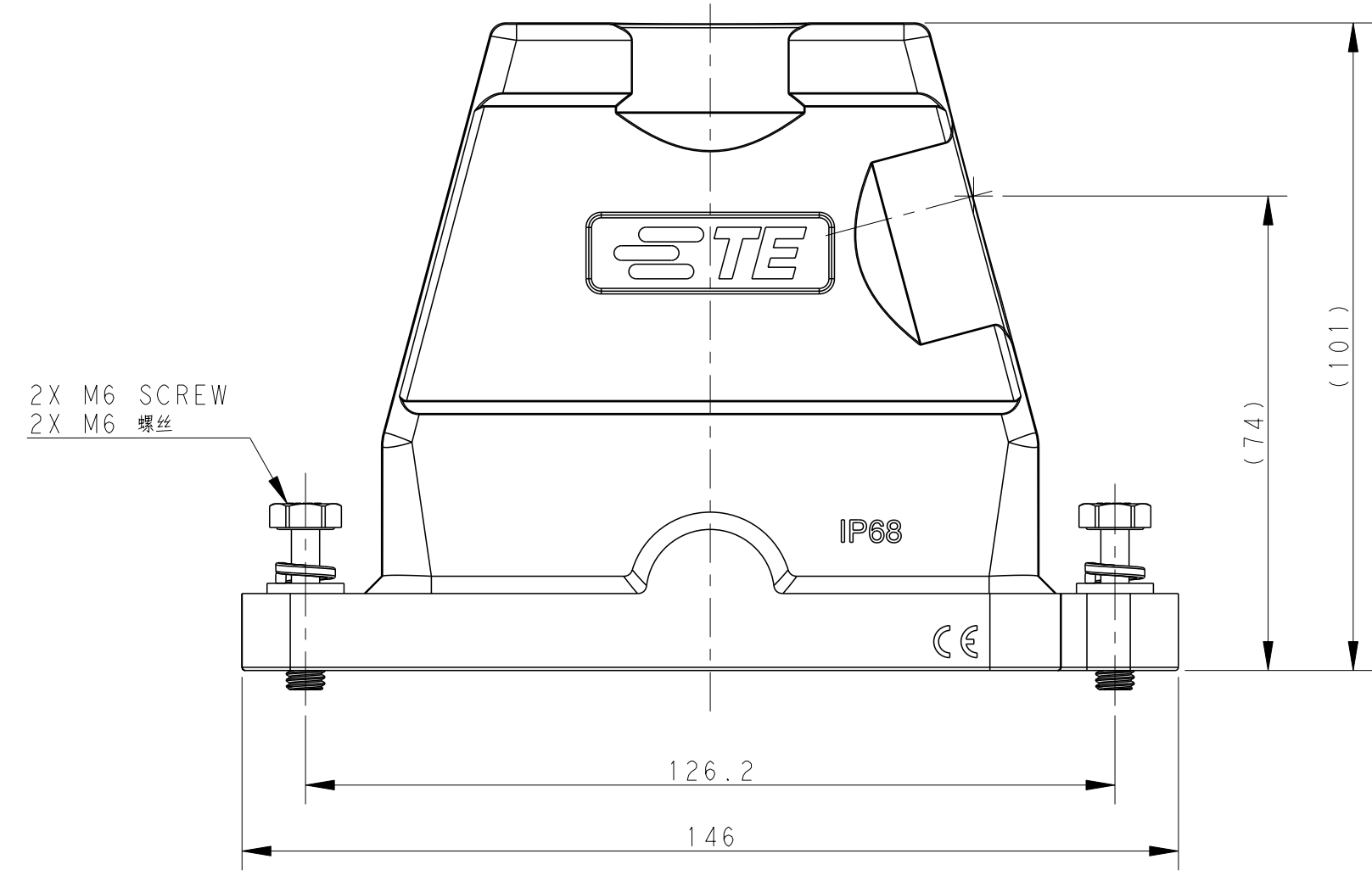
THIS DRAWING IS UNPUBLISHED. RELEASED FOR PUBLICATION 20  
 © COPYRIGHT 20 BY - ALL RIGHTS RESERVED.

REVISIONS					
P	LTR	DESCRIPTION	DATE	DWN	APVD
A		INITIAL RELEASE	20SEP2016	DW	CW
B		ECR-20-016312	03JUN2021	BS	CW



NOTES:  
 1. TECHNICAL CHARACTERISTICS:  
 HOOD MATERIAL: DIE CAST ALUMINIUM ALLOY  
 SURFACE: SEE TABLE  
 DEGREE OF PROTECTION: IP68 (MATED)

注释:  
 1. 技术参数:  
 壳体材料: 铝合金  
 表面处理: 见表格  
 防护等级: IP68 (配合)



T1900102232-009	H10BPR-TS/GH-2M32-EMC-C	H10BPR HOOD,DIAGONAL LOCKING LOCKING,SIDE/TOP ENTRY 2M32 POWDER COATED, GREY H10BPR对角锁定侧顶出上壳2M32 灰色	M32	M32
T1900100232-009	H10BPR-TS/GH-2M32-EMC-C	H10BPR HOOD,DIAGONAL LOCKING LOCKING,SIDE/TOP ENTRY 2M32 POWDER COATED, BLACK H10BPR对角锁定侧顶出上壳2M32 黑色	M32	M32
PART NUMBER 料号	PART DESCRIPTION 描述		PG/M THREAD-2 PG/M 螺纹-2	PG/M THREAD-1 PG/M 螺纹-1

THIS DRAWING IS A CONTROLLED DOCUMENT.		DWN DAVID WANG 20SEP2016	<b>STE</b> TE Connectivity	
DIMENSIONS: mm		CHK CHRIS WANG 20SEP2016		
TOLERANCES UNLESS OTHERWISE SPECIFIED:		APVD XIANG XU 20SEP2016	NAME H10BPR-TS/GH-PG/M-EMC-C	
0 PLC ± 1 PLC ± 2 PLC ± 3 PLC ± 4 PLC ±		PRODUCT SPEC 108-137191	SIZE A2	
ANGLES ± FINISH		APPLICATION SPEC 114-137191	CAGE CODE -	
MATERIAL -		WEIGHT -	DRAWING NO G-T190010XXXXX09	
		Customer Drawing	RESTRICTED TO -	
		SCALE 1:1	SHEET 1 OF 1 REV B	

Printed on 7 Jun 2021 15:21 (China Standard Time) from TE236667

单击下面可查看定价，库存，交付和生命周期等信息

[>>TE Connectivity\(泰科\)](#)