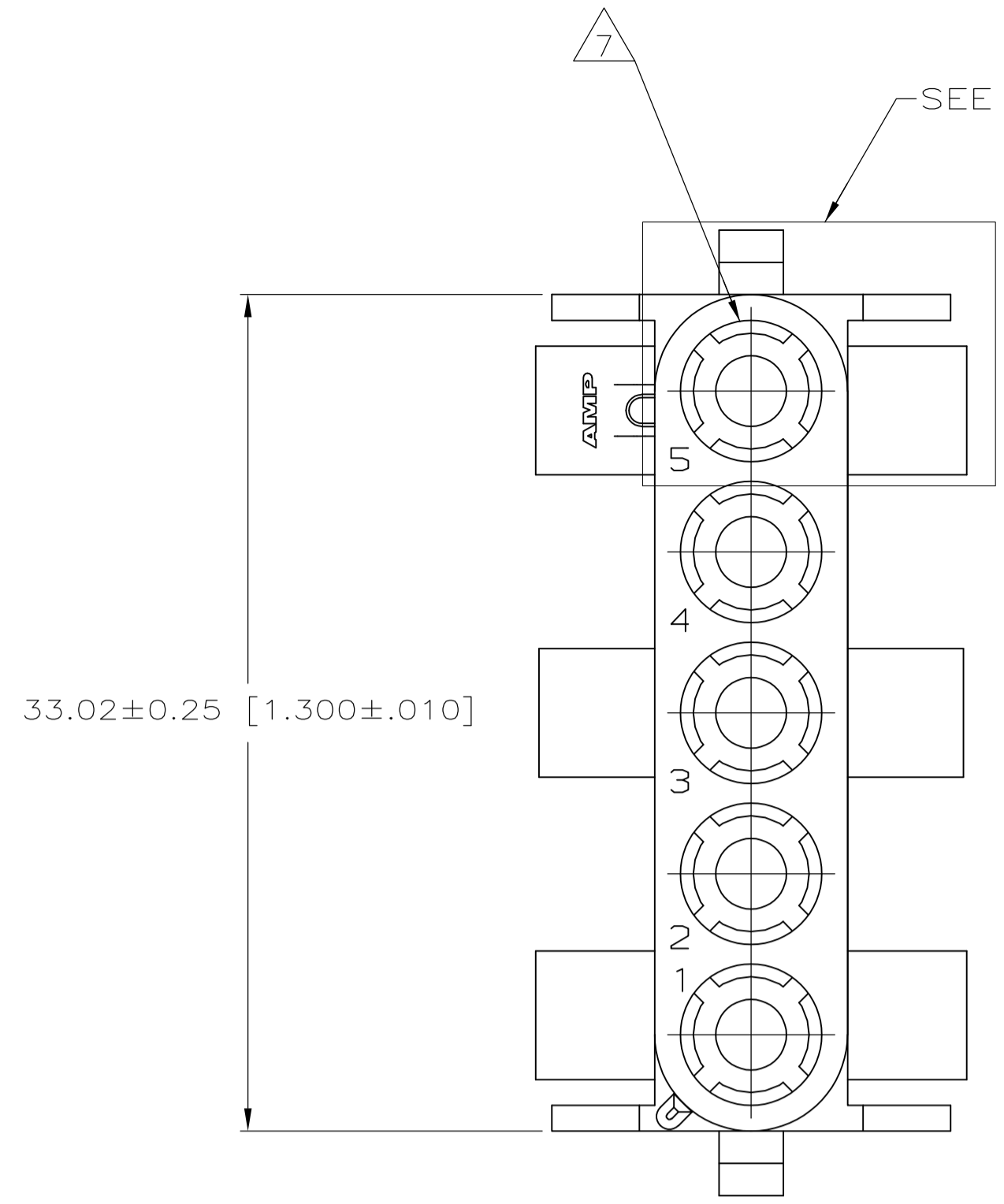
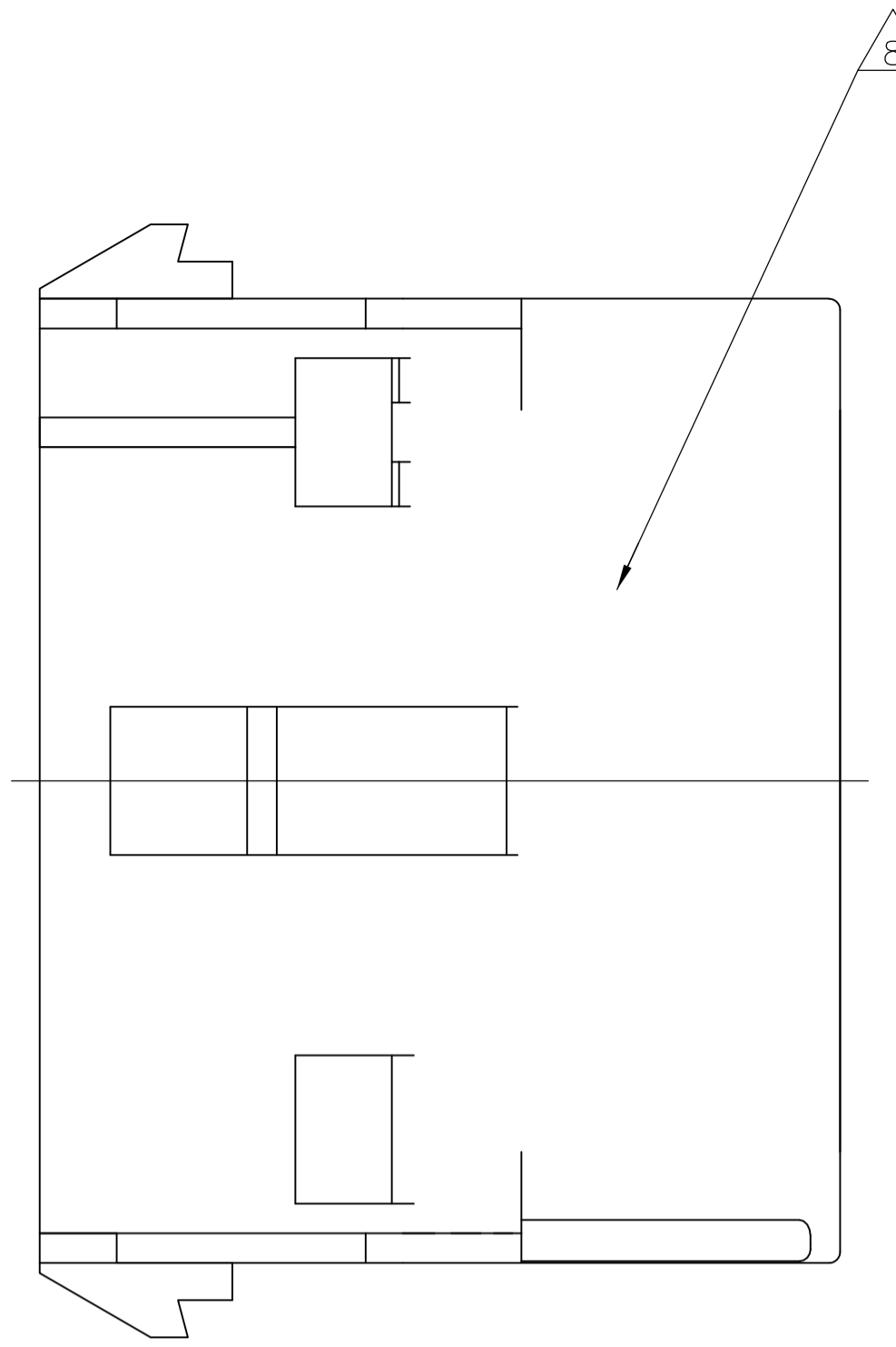
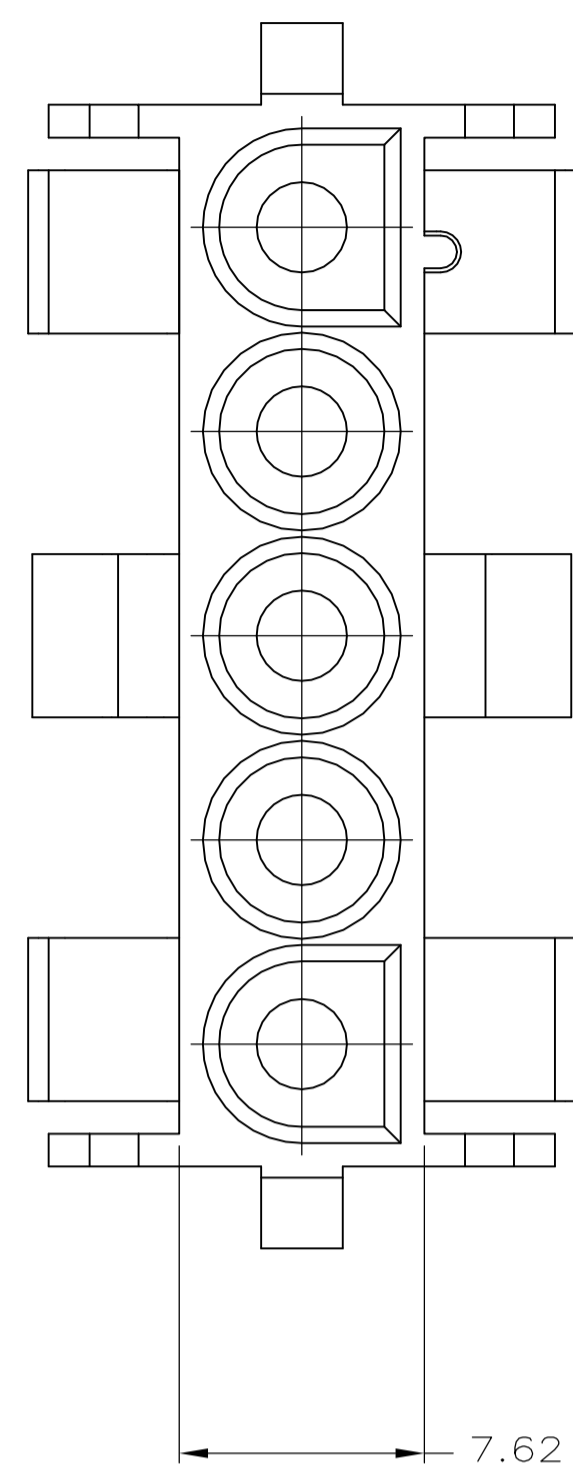
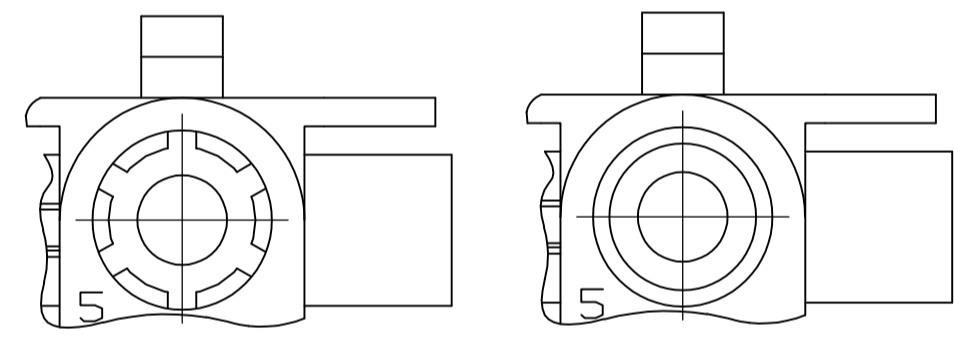


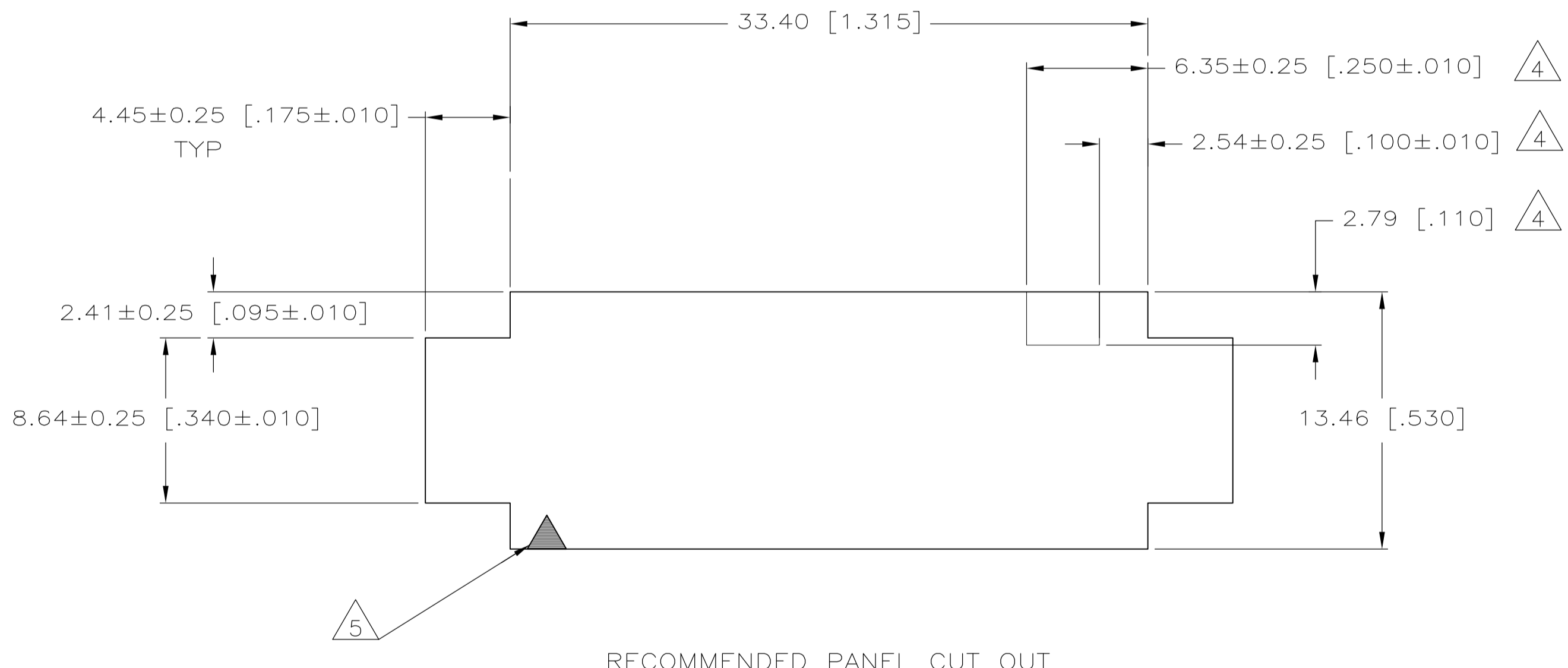
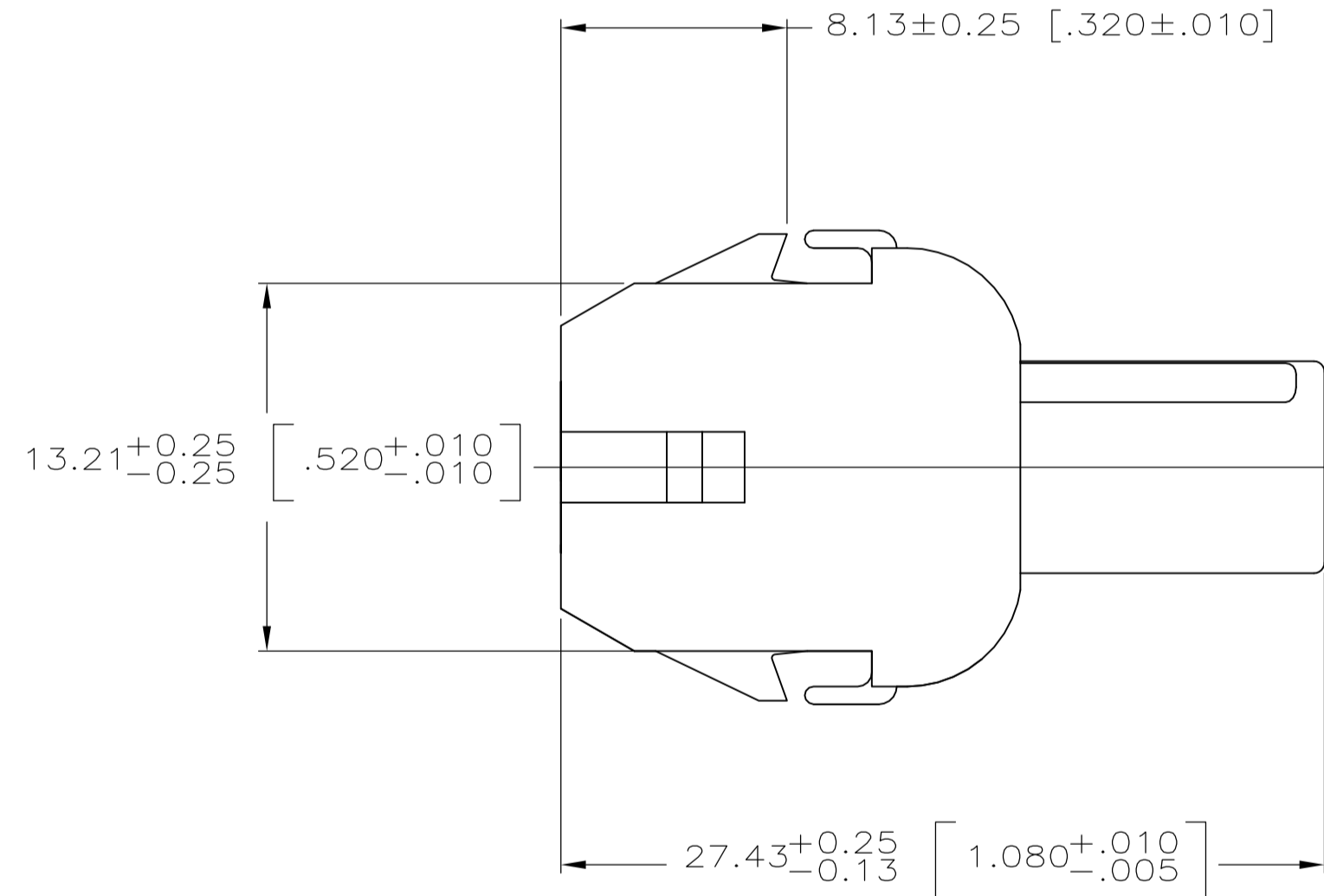
REVISIONS					
P	LTR	DESCRIPTION	DATE	DMN	APVD
A2		REVISED PER ECO-17-011927	23AUG2017	RS	KR



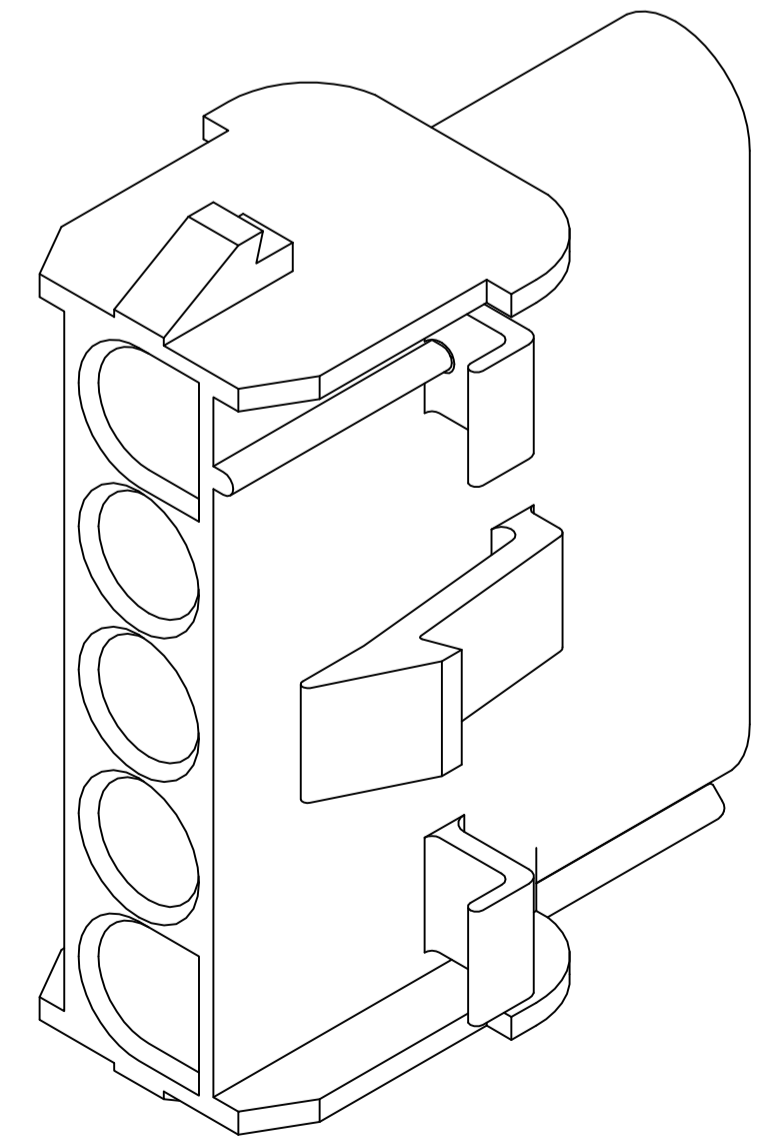
- 1 MATES WITH APPROPRIATE UNIVERSAL MATE-N-LOK™ PLUG.
- 2 RECOMMENDED PANEL THICKNESS 0.76–2.29 [.029–.090].
- 3 PANEL MUST BE PUNCHED SO THAT THE HOUSING ENTERS THE PANEL IN THE SAME DIRECTION AS THE PUNCH.
- 4 OPTIONAL FOR KEYING HOUSING IN PANEL.
- 5 CIRCUIT NUMBER 1 LOCATION.
- 6 DIMENSIONS SHOWN REPRESENT PRODUCT IN DRY, AS MOLDED CONDITION ADDITIONAL 2% GROWTH DUE TO SUBSEQUENT MOISTURE ABSORPTION MAY OCCUR AND SHOULD BE ACCOUNTED FOR.
- 7 FOUR RIBS EQUALLY SPACED, NO SPECIFIC ORIENTATION. NO RIBS OR SIX RIBS EQUALLY SPACED, NO SPECIFIC ORIENTATION, OPTIONAL.
- 8 UNDERWRITERS RECOGNIZED COMPONENT LOGO AND CSA CERTIFICATION LOGO TO BE LOCATED ONCE EACH ON SIDE OF HOUSING.
- 9 MATERIAL: BLACK NYLON, UL 94V-2 HIGH TEMP.
- 10 PHOSPHOR BRONZE CONTACTS SHOULD ALWAYS BE USED WITH THIS HOUSING.



DETAIL E  
OPTIONAL CONSTRUCTION



RECOMMENDED PANEL CUT OUT



3-DIMENSIONAL MODEL  
NTS

BLACK COLOR	794863-1 PART NUMBER
-------------	----------------------

THIS DRAWING IS A CONTROLLED DOCUMENT.		DMN: S. HOOVER 26-FEB-2004	APVD: S. RIDGILL 26-FEB-2004													
DIMENSIONS: mm [INCHES]		TOLERANCES UNLESS OTHERWISE SPECIFIED:														
<table border="1"> <tr><td>0. PLC</td><td>±</td></tr> <tr><td>1. PLC</td><td>±</td></tr> <tr><td>2. PLC</td><td>± 0.13 [.005]</td></tr> <tr><td>3. PLC</td><td>±</td></tr> <tr><td>4. PLC</td><td>±</td></tr> <tr><td>ANGLES</td><td>± 1° 0'</td></tr> </table>		0. PLC	±	1. PLC	±	2. PLC	± 0.13 [.005]	3. PLC	±	4. PLC	±	ANGLES	± 1° 0'	NAME: CAP, 5 CIRCUIT, UNIVERSAL MATE-N-LOK™		
0. PLC	±															
1. PLC	±															
2. PLC	± 0.13 [.005]															
3. PLC	±															
4. PLC	±															
ANGLES	± 1° 0'															
MATERIAL: 9		FINISH: -		RESTRICTED TO: -												
WEIGHT: 0.000000		SIZE: A1	CAGE CODE: 00779	DRAWING NO: 794863												
CUSTOMER DRAWING		SCALE: 4:1	SHEET: 1 OF 1	REV: A2												

单击下面可查看定价，库存，交付和生命周期等信息

[>>TE Connectivity\(泰科\)](#)