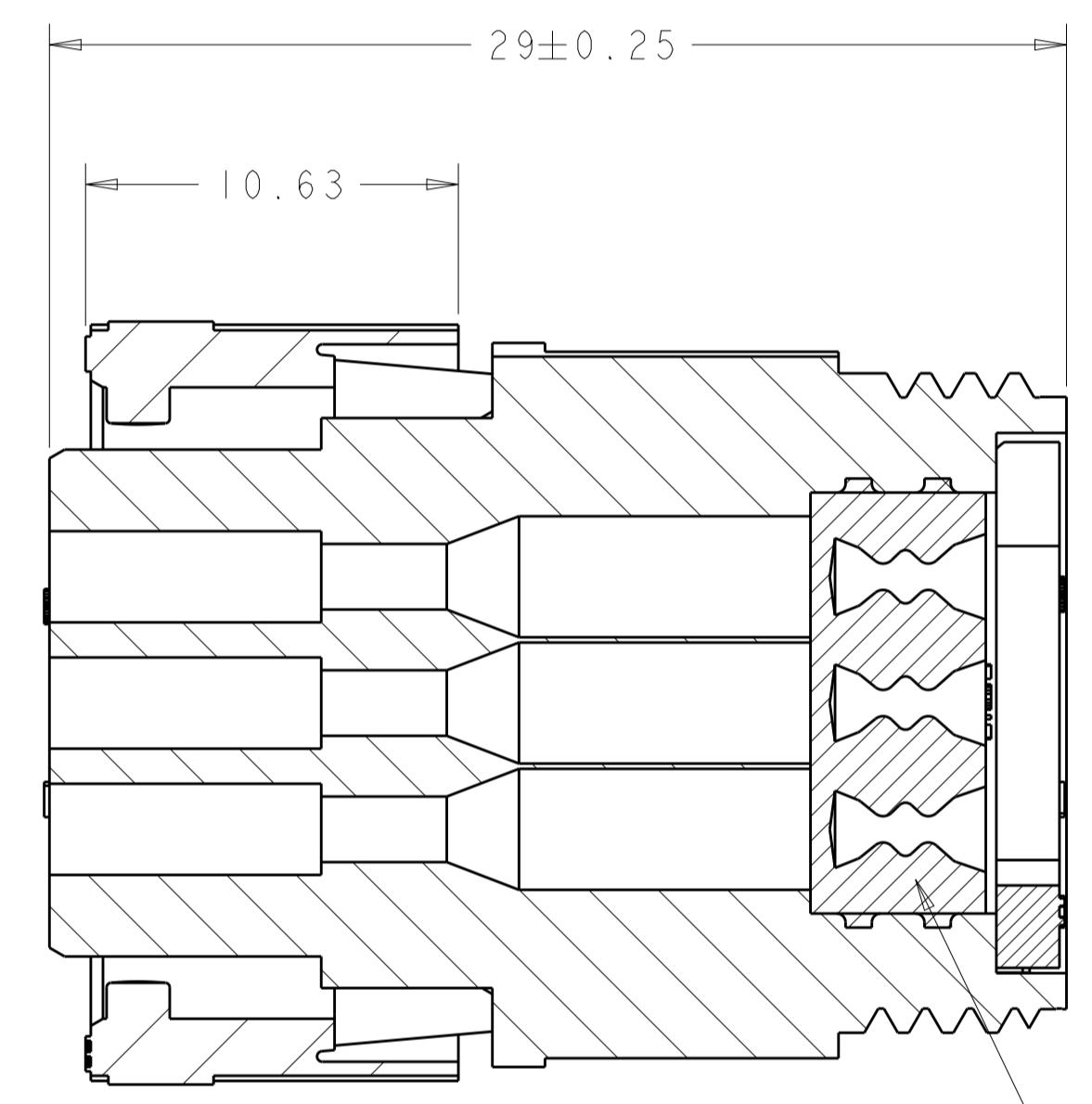
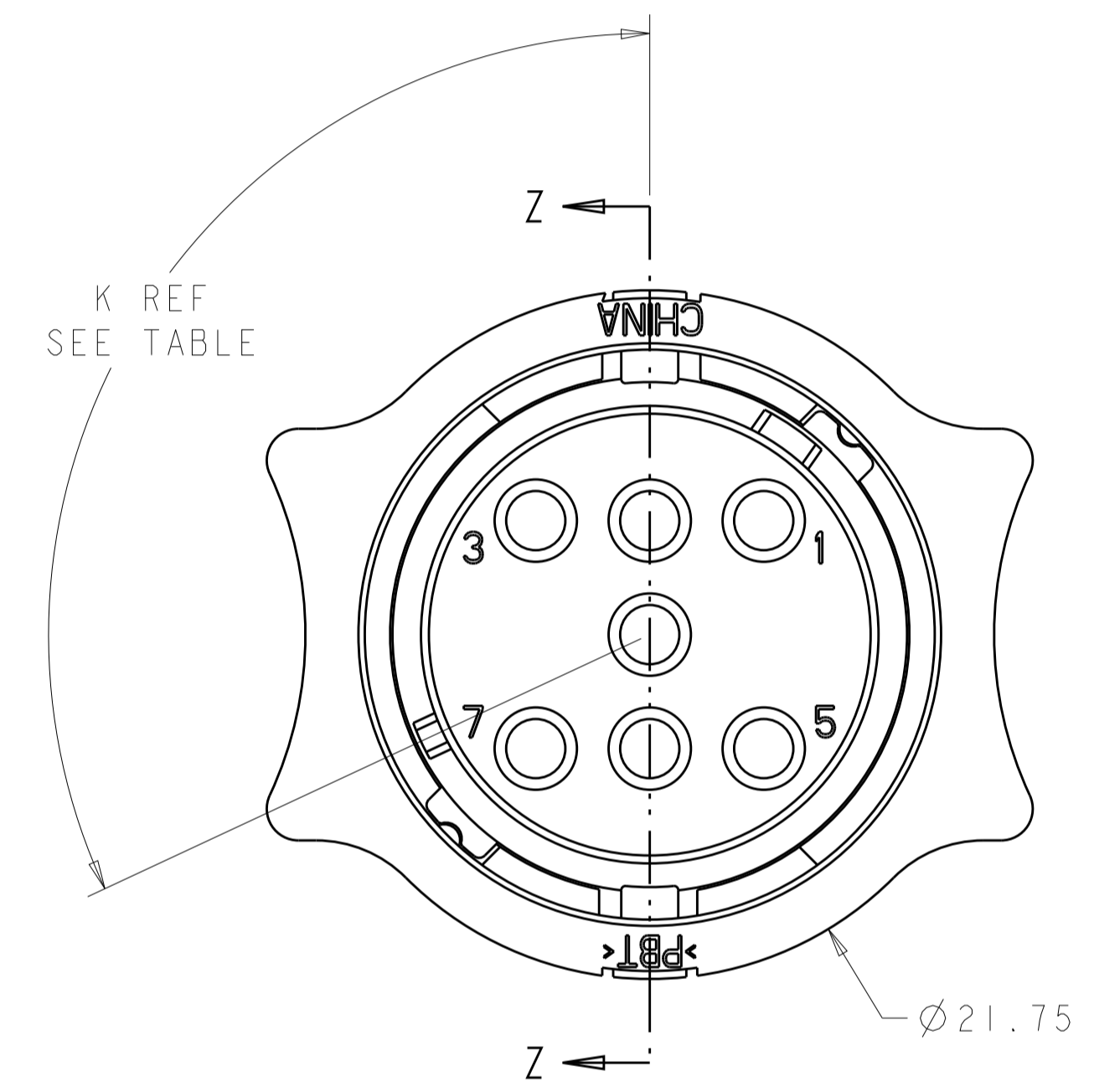
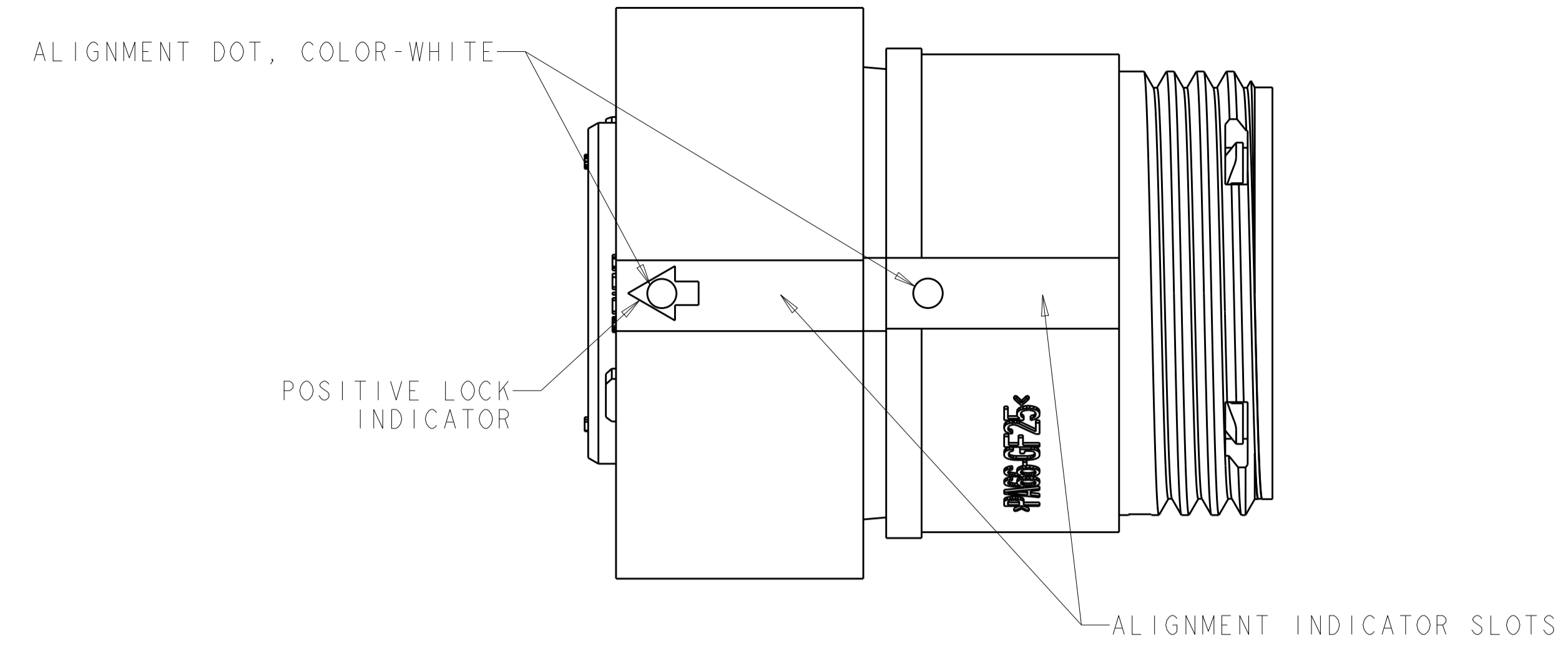
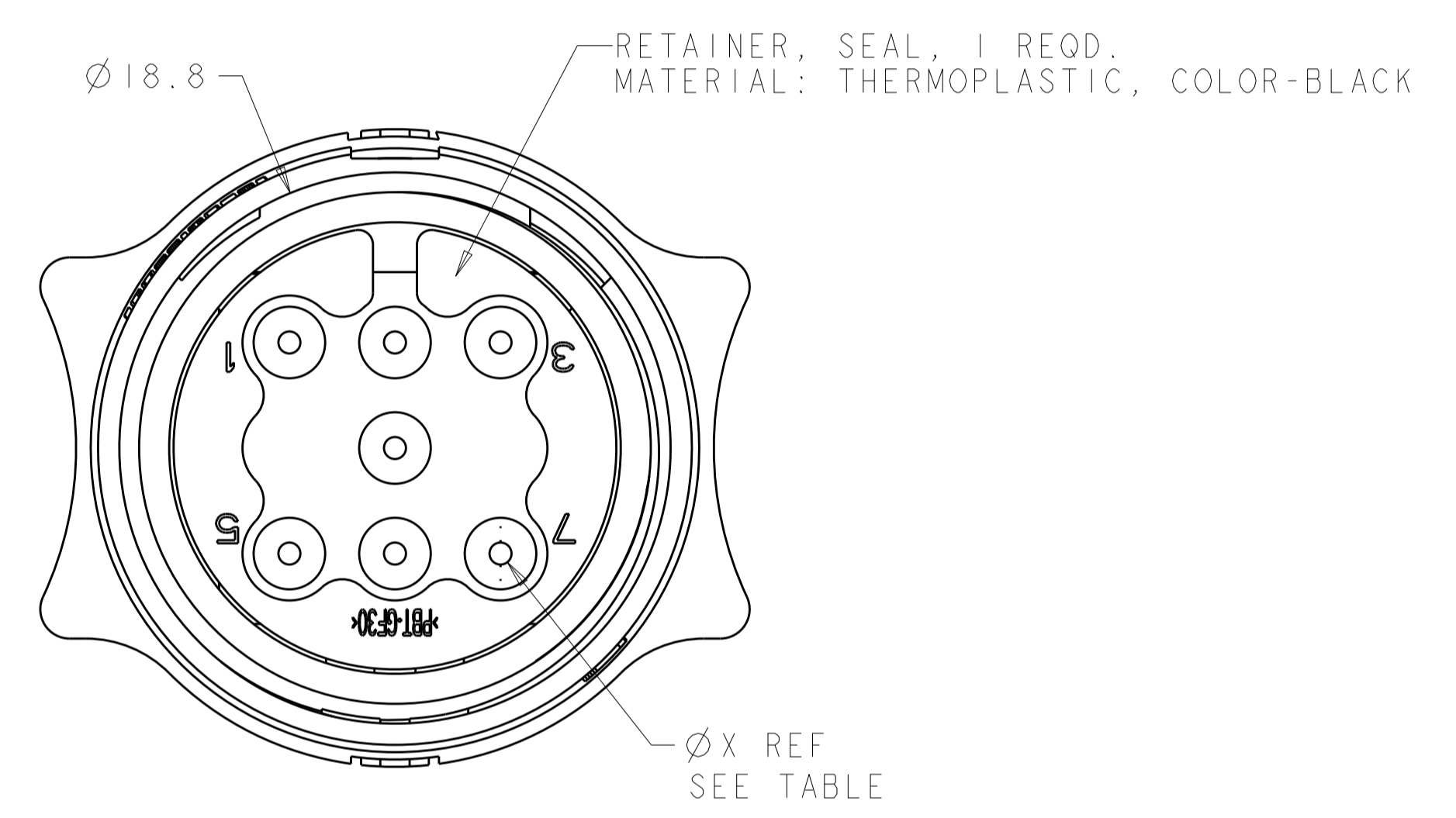


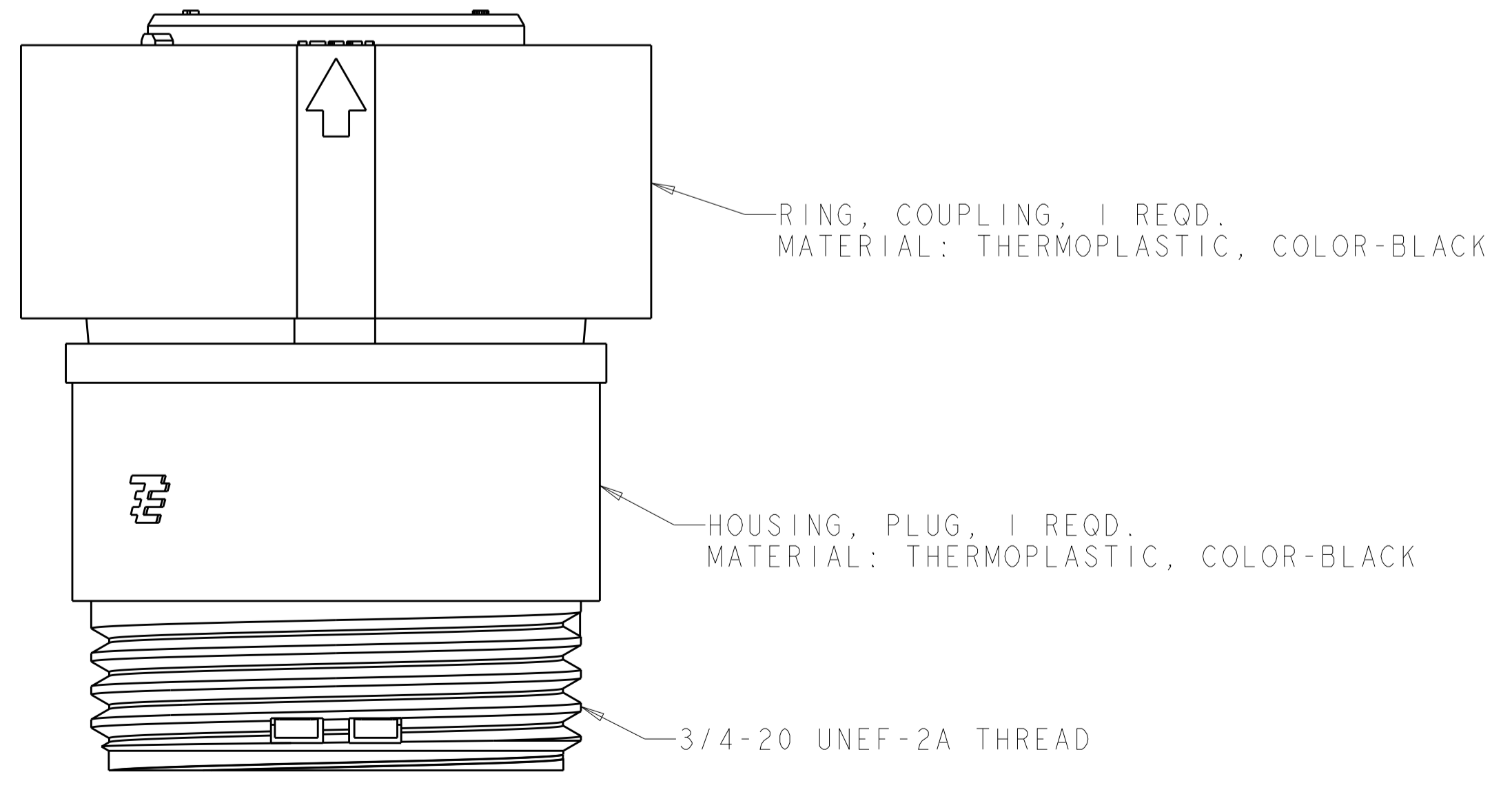
REVISIONS				
P.	LTN	DESCRIPTION	DATE	OWN APVD
C2		REVISED PER ECO-15-010004	13JUL2015	NK MZ
D		REVISED PER ECO-16-018352	24MAR2017	RS MZ



SECTION Z-Z



SEAL, WIRE ENTRY, 1 REQD.
MATERIAL: ELASTOMER, COLOR-SEE TABLE



OBSELETE	YELLOW	Ø 0.75	135°	1445818-4
	NATURAL	Ø 1.5	115°	1445818-3
OBSELETE	NATURAL	Ø 1.5	135°	1445818-2
	YELLOW	Ø 0.75	115°	1445818-1
	SEAL, WIRE ENTRY COLOR	Ø X REF	K REF	PART NUMBER

THIS DRAWING IS A CONTROLLED DOCUMENT.

OWN: SHANE WIESE 16OCT2001
 CHG: G DOUTY 16OCT2001
 APVD: H. WAKEEM 13JUN2003

STE TE Connectivity

DIMENSIONS: mm
 TOLERANCES UNLESS OTHERWISE SPECIFIED:
 0 PLC ±
 1 PLC ±
 2 PLC ±0.13
 3 PLC ±
 4 PLC ±
 ANGLES ±
 FINISH

MATERIAL: SEE CALLOUT

NAME: ASSEMBLY, PLUG, SIZE 11, 7 POSITION, SEALED, MINI CPC

SIZE: A1
 CAGE CODE: 100779
 DRAWING NO: 1445818

RESTRICTED TO: -

CUSTOMER DRAWING

SCALE: 5:1 SHEET 1 OF 1 REV D

单击下面可查看定价，库存，交付和生命周期等信息

[>>TE Connectivity\(泰科\)](#)