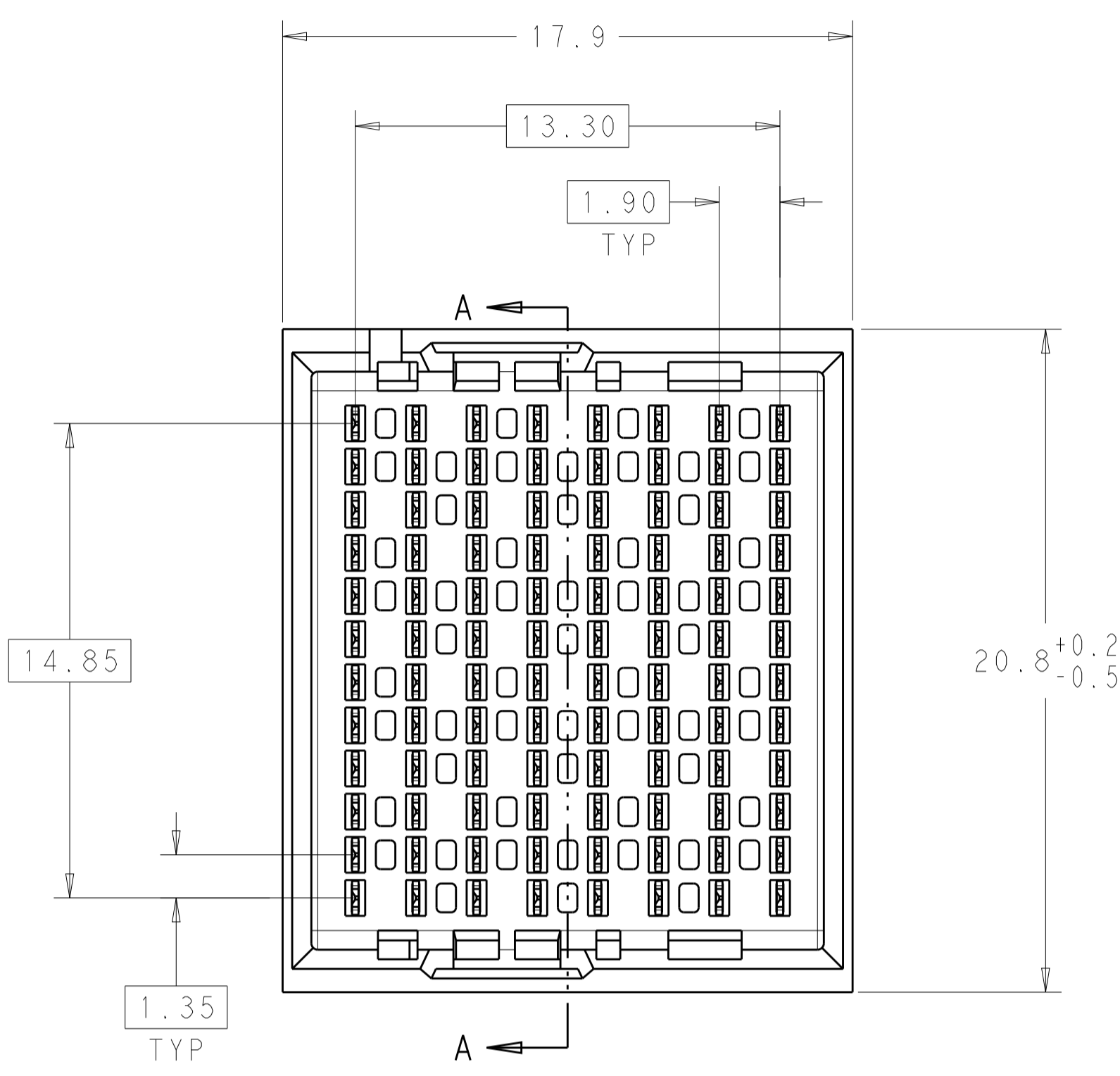
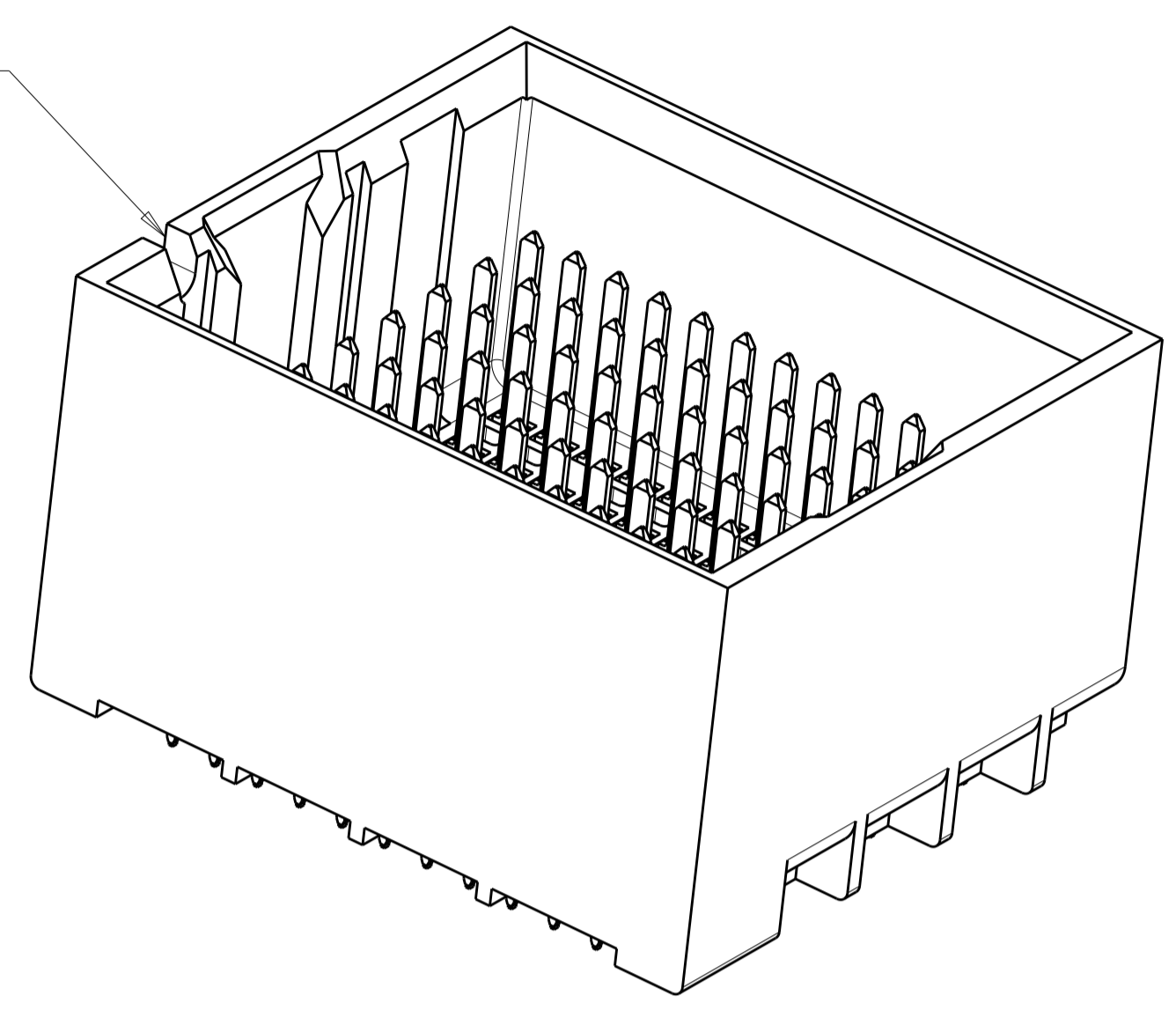


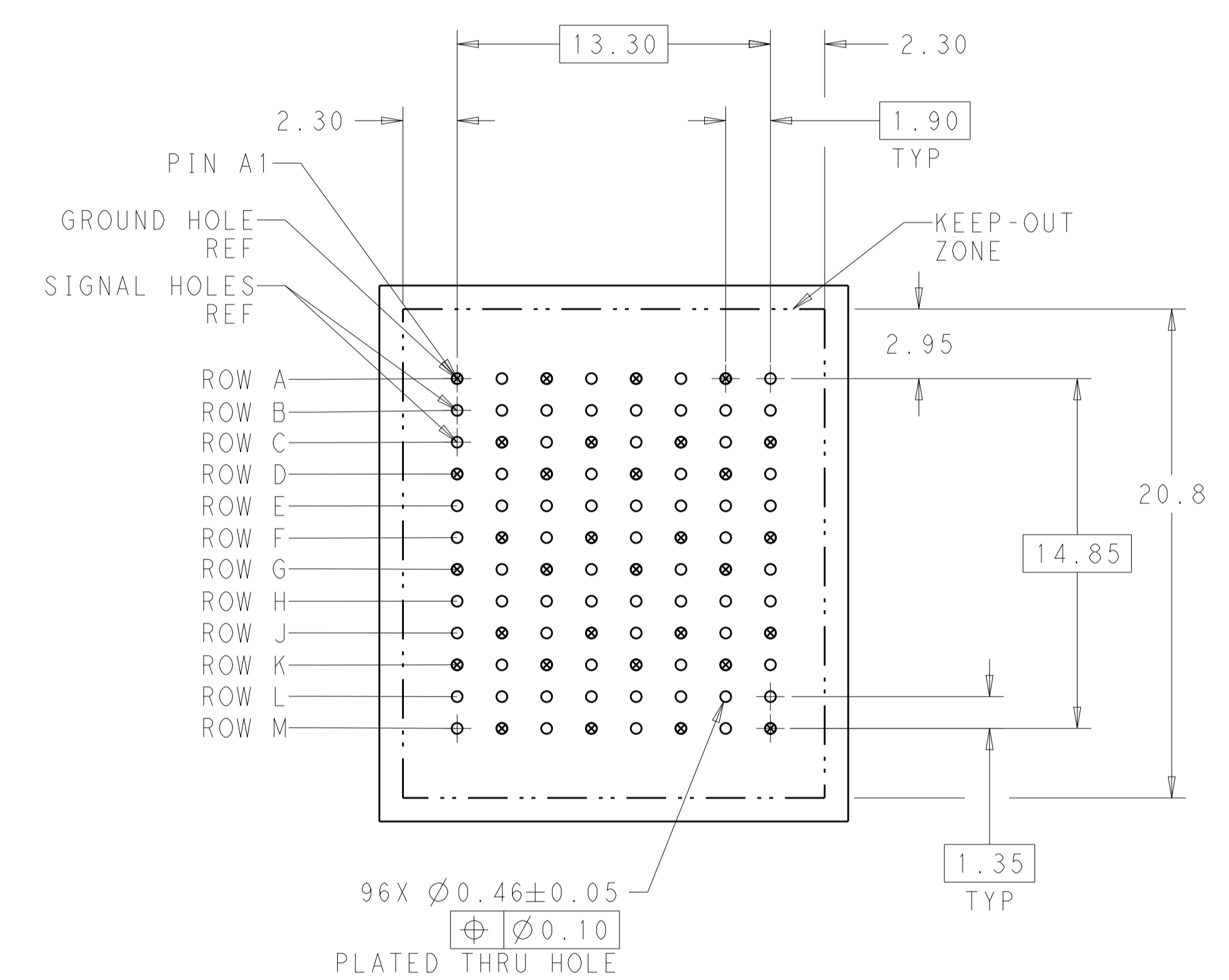
REVISIONS				
P.	LTN.	DESCRIPTION	DATE	APVD.
A1		REVISED PER ECO-15-001494	06FEB2015	AP DD



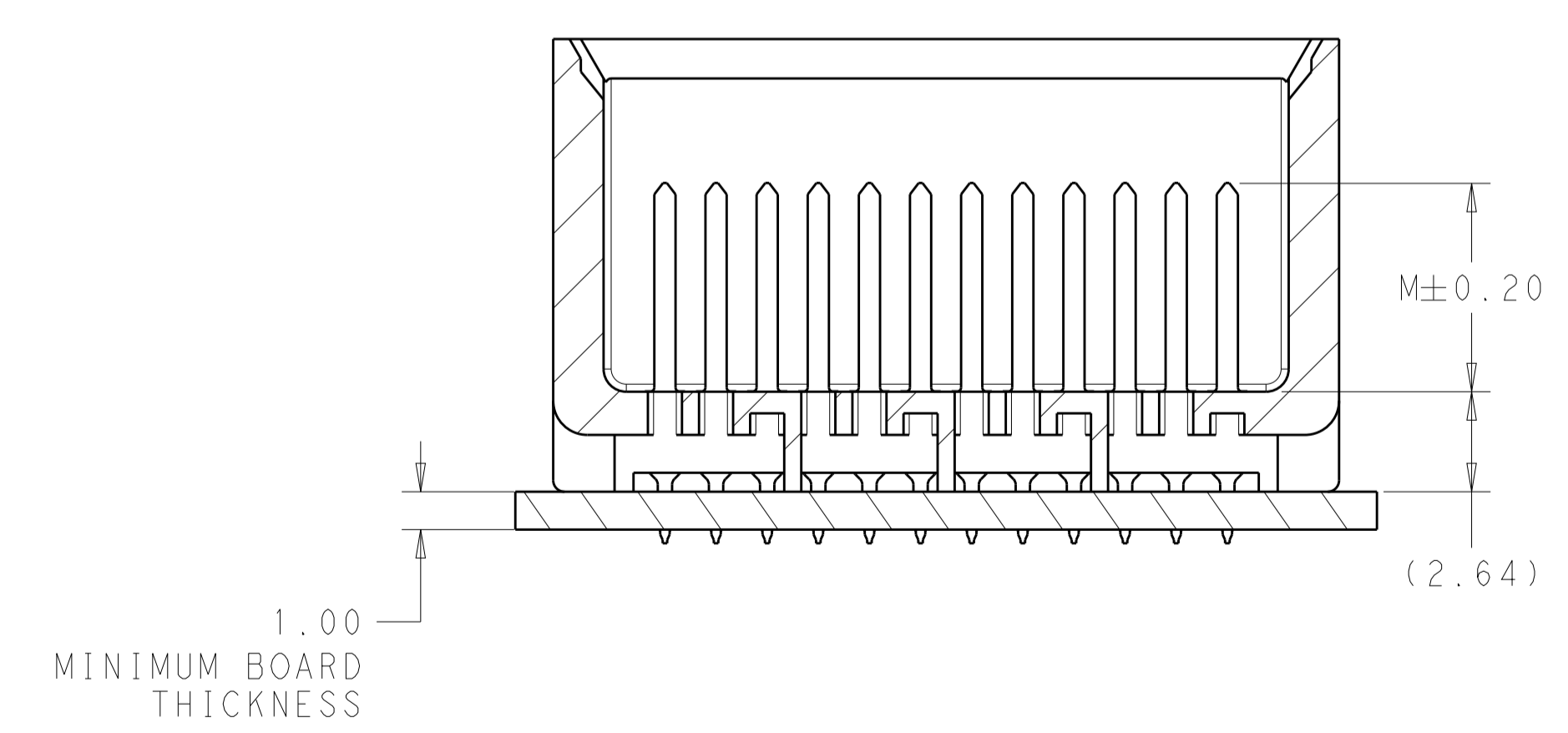
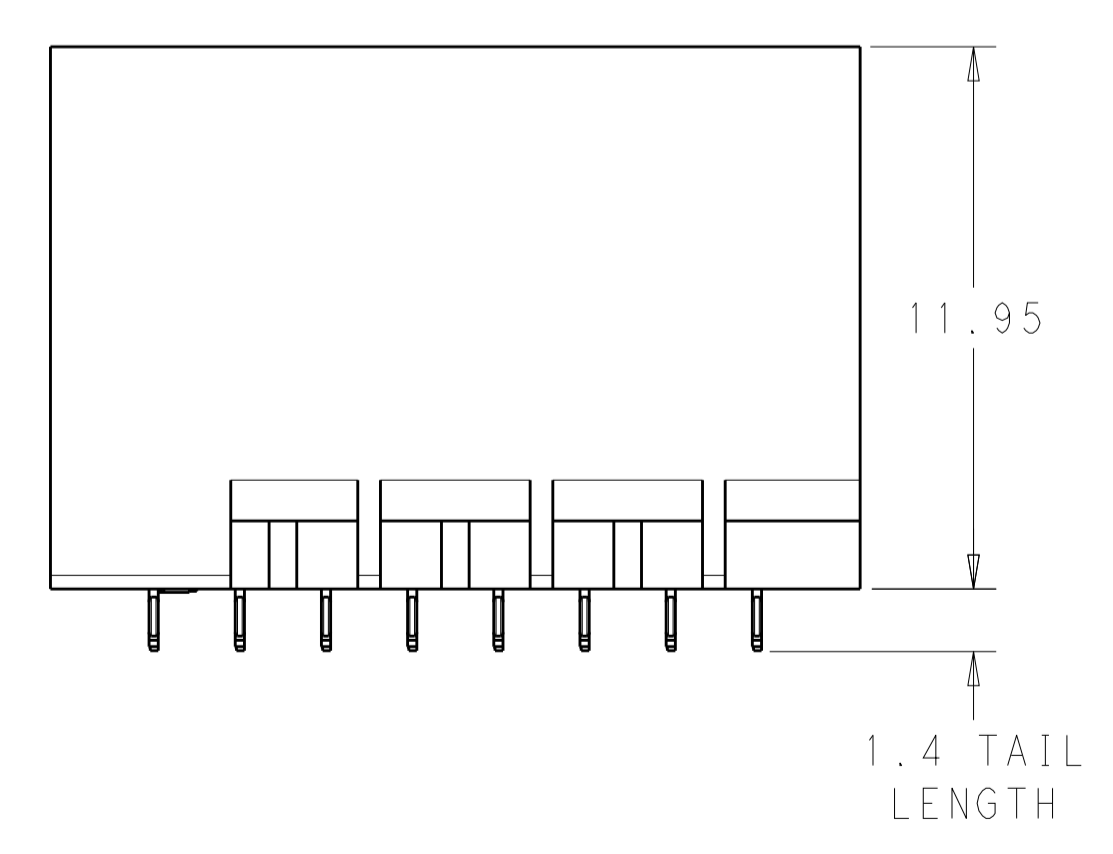
NOTCH DESIGNATES ROW A



- ⚠ MATERIAL:  
HOUSING: LCP, GLASS FILLED, UL94V-0.  
TERMINALS: HIGH PERFORMANCE COPPER ALLOY.
- ⚠ FINISH:  
30μ" MIN GOLD IN CONTACT AREA. SELECTIVE TIN ON PCB TAILS, NICKEL OVERALL.



UNGUIDED BACKPLANE HOLE PATTERN (CONNECTOR SIDE)



SECTION A-A

THIS DRAWING IS A CONTROLLED DOCUMENT.		OWN: R. GRZYBOWSKI 30SEP2011	TE Connectivity
DIMENSIONS: mm		CHK: J. EARY 30SEP2011	
TOLERANCES UNLESS OTHERWISE SPECIFIED:		APVD: J. EARY 30SEP2011	NAME: IMPACT, 4 PAIR, 8 COLUMN, HEADER UNGUIDED, DUAL END WALL SIGNAL MODULE, 0.46 PTH
0 PLC ±	1 PLC ±0.25	PRODUCT SPEC	SIZE: CAGE CODE DRAWING NO. RESTRICTED TO
2 PLC ±0.13	3 PLC ±	APPLICATION SPEC	A100779C=2057444
4 PLC ±	ANGLES ±	WEIGHT	SCALE: 6:1 SHEET 1 OF 2 REV: A1
FINISH: SEE TABLE		CUSTOMER DRAWING	

THIS DRAWING IS UNPUBLISHED.	RELEASED FOR PUBLICATION	20
© COPYRIGHT 20	BY -	ALL RIGHTS RESERVED.

REVISIONS					
P.	LTN	DESCRIPTION	DATE	DMN	APVD
-	-	SEE SHEET 1	-	-	-

	5.5	2057444-3
	4.9	2057444-2
	4.5	2057444-1
FINISH	DIM M	PART NUMBER

REFER TO WWW.TE.COM  
FOR PRODUCT AVAILABILITY

THIS DRAWING IS A CONTROLLED DOCUMENT.		DMN R. GRZYBOWSKI 30SEP2011		TE Connectivity
DIMENSIONS: mm		CHK J. EARY 30SEP2011		NAME
TOLERANCES UNLESS OTHERWISE SPECIFIED: 0 PLC ± 1 PLC ±0.25 2 PLC ±0.13 3 PLC ± 4 PLC ± ANGLES ±		APVD J. EARY 30SEP2011	PRODUCT SPEC	RESTRICTED TO
MATERIAL		FINISH	APPLICATION SPEC	SIZE
SEE TABLE		SEE TABLE	WEIGHT	CAGE CODE
CUSTOMER DRAWING		SCALE	5:1	DRAWING NO
A1		REV	2	2
A1		REV	2	2

单击下面可查看定价，库存，交付和生命周期等信息

[>>TE Connectivity\(泰科\)](#)