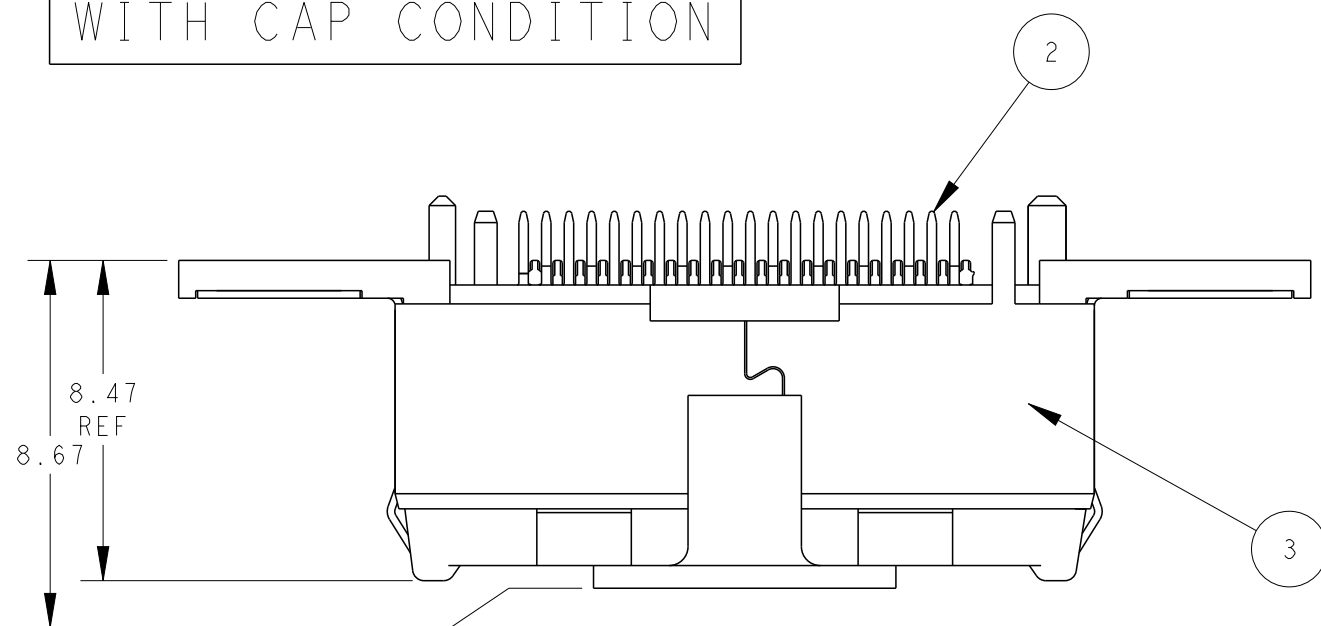


THIS DRAWING IS UNPUBLISHED. RELEASED FOR PUBLICATION 20
 © COPYRIGHT 20 BY - ALL RIGHTS RESERVED.

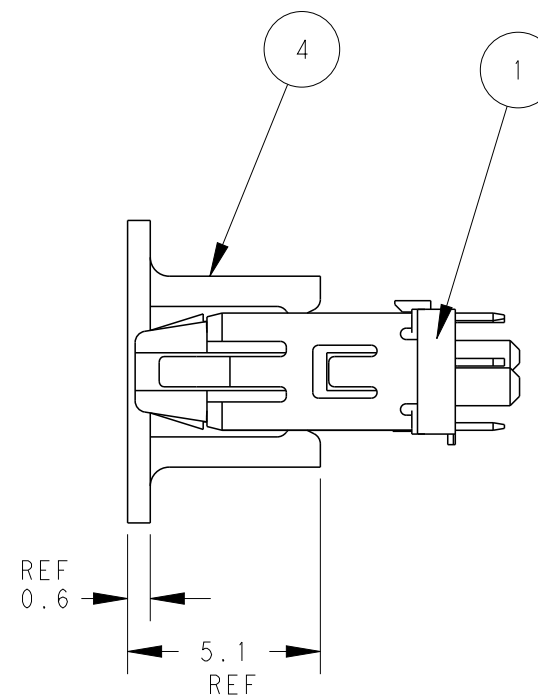
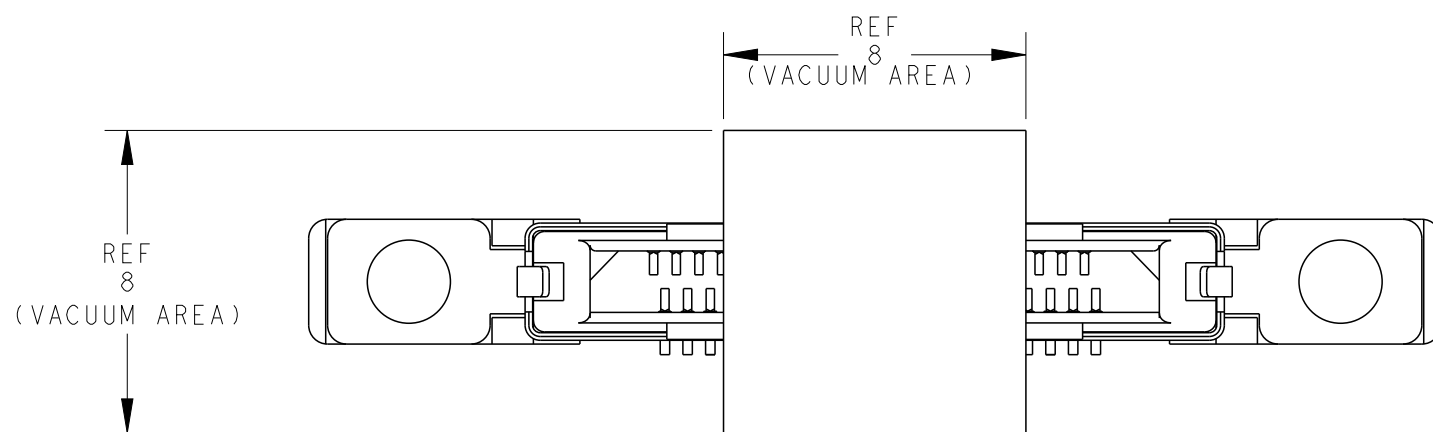
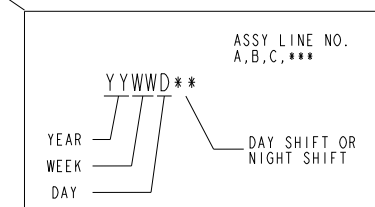
| LOC | DIST | REVISIONS | | | |
|-----|------|-------------|-----------|------|------|
| P | LTR | DESCRIPTION | DATE | DWN | APVD |
| | A | RELEASED | 09MAY2012 | P. H | H. K |

WITH CAP CONDITION

2129454-1; AS SHOWN



- ① MATERIAL: HOUSING: THERMO-PLASTIC(UL94V-0, BLACK).
CONTACT: COPPER ALLOY.
SHELL: COPPER ALLOY.
CAP: THERMO-PLASTIC(UL94V-0, BLACK).
- ② FINISH:
CONTACT: ALL OVER 2um MIN. Ni UNDER PLATING.
0.38um MIN. Au PLATING ON CONTACT AREA.
1~3um Tin PLATING ON TINE AREA.
SHELL: ALL OVER 1.3um MIN. Ni UNDER PLATING.
- ③ DATE CODE



| Q'TY | NAME | ITEM |
|------|---------|------|
| 1 | CAP | ④ |
| 1 | SHELL | ③ |
| 40 | CONTACT | ② |
| 1 | HOUSING | ① |

| | | | | | | |
|--|----------|--------------------------|---|-----------------|----------------------|-----------------|
| THIS DRAWING IS A CONTROLLED DOCUMENT. | | DWN P. HSU 09MAY2012 | TE Connectivity NAME PLUG ASSY, 0.6mm PITCH CHAMP DOCKING CONNECTOR, 40POS | | | |
| DIMENSIONS: mm | | CHK M. CHAO 09MAY2012 | | | | |
| TOLERANCES UNLESS OTHERWISE SPECIFIED: | | APVD H. KODAMA 09MAY2012 | | | | |
| 0 PLC ± 1 PLC ± ± 0.25 2 PLC ± 3 PLC ± 4 PLC ± ANGLES ±3° | | PRODUCT SPEC - | | | | |
| MATERIAL ① | FINISH ② | APPLICATION SPEC - | SIZE A3 | CAGE CODE 00779 | DRAWING NO C-2129454 | RESTRICTED TO - |
| CUSTOMER DRAWING | | WEIGHT 1.06 | SCALE 5:1 | SHEET 1 OF 5 | REV A | |

LOC DW

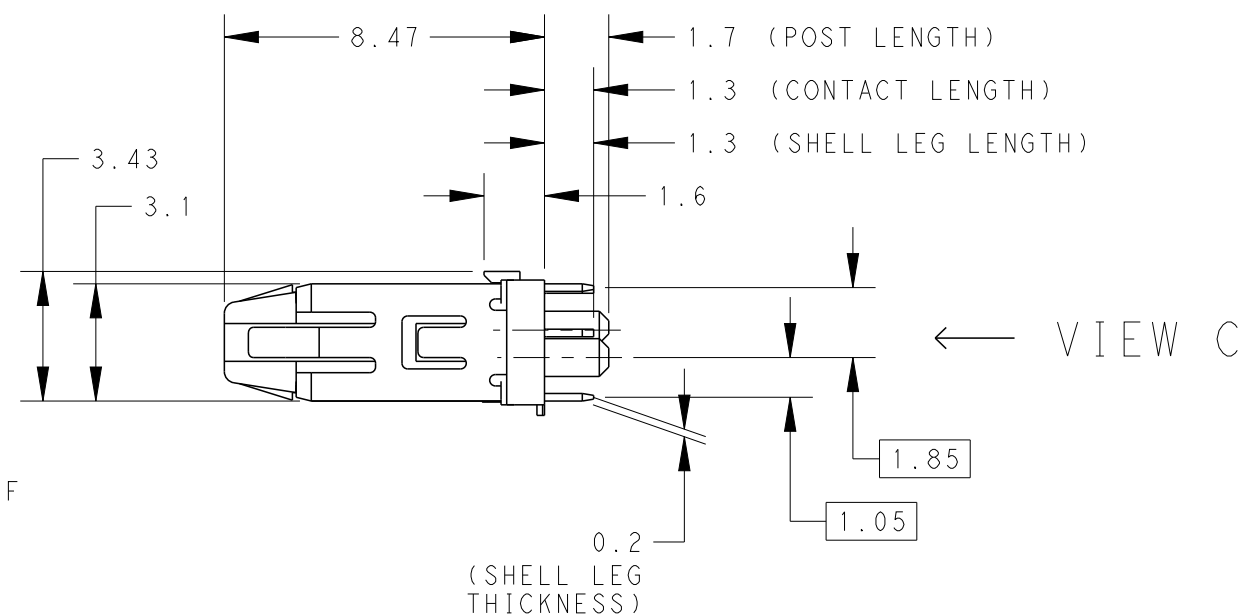
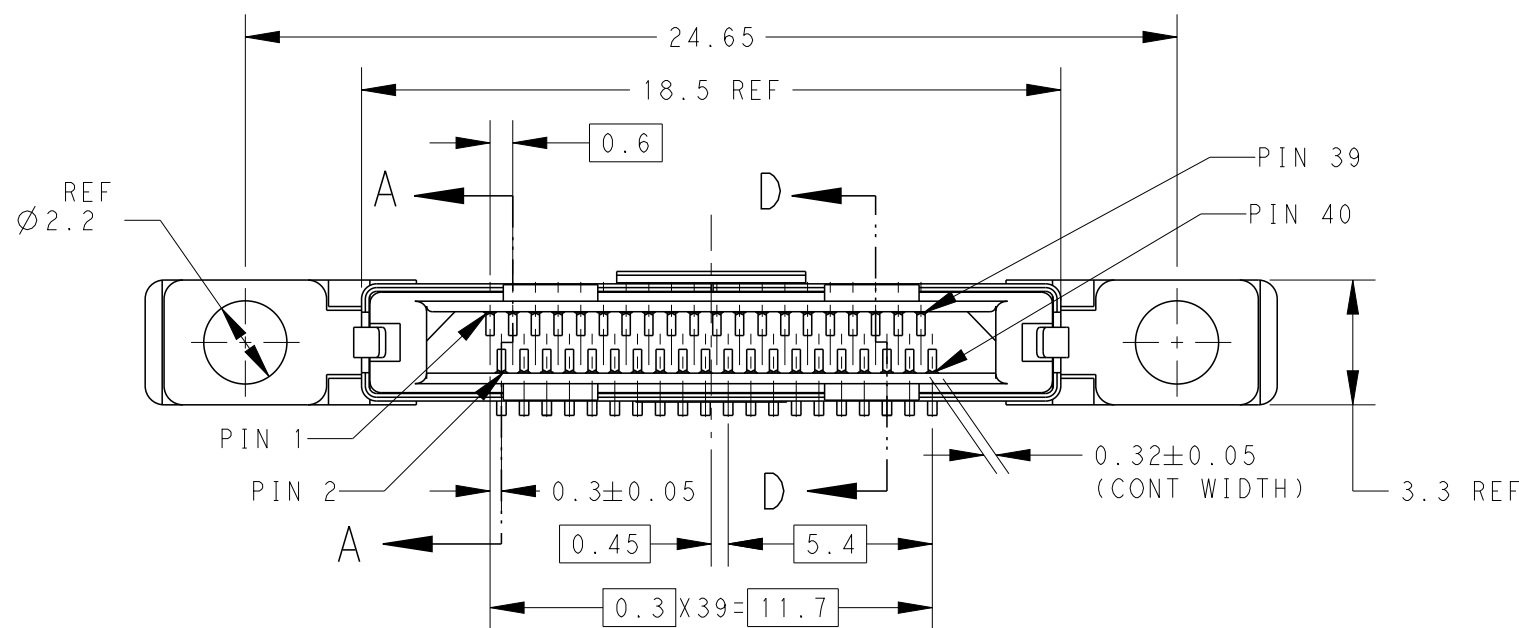
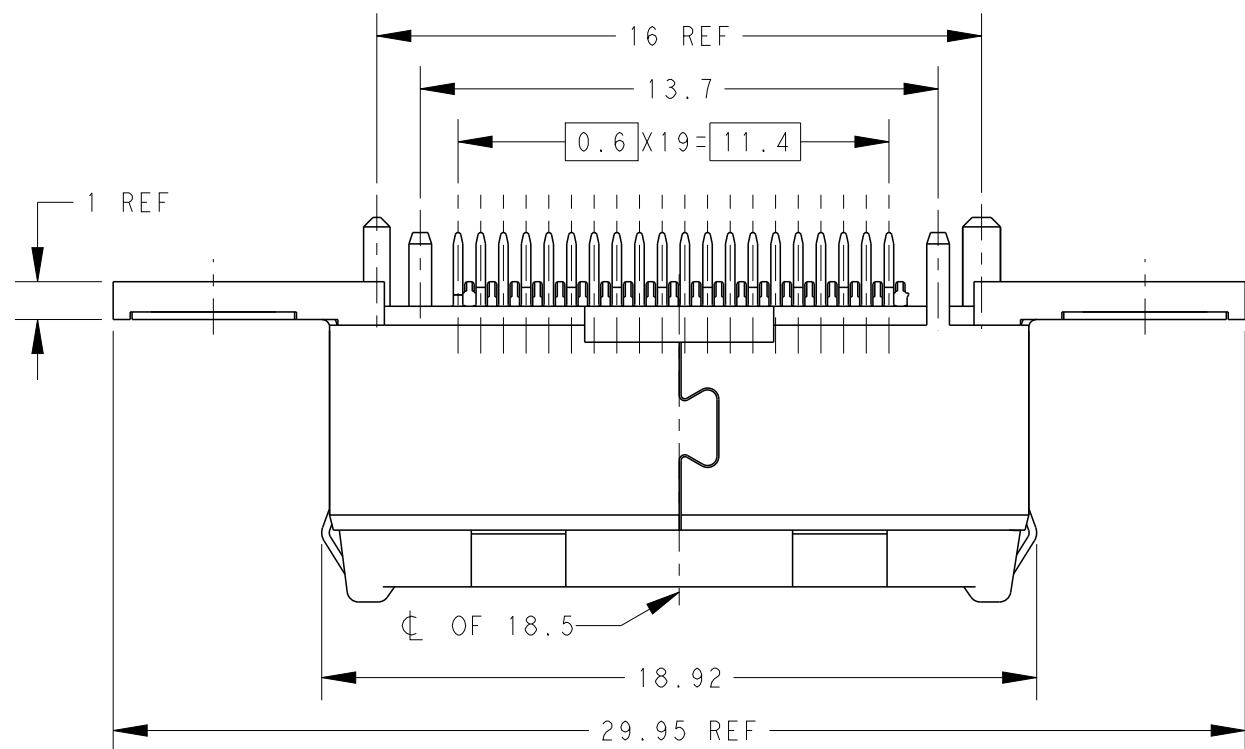
DIST

REVISIONS

| P | LTR | DESCRIPTION | DATE | DWN | APVD |
|---|-----|-------------|------|-----|------|
| - | - | SEE SHEET 1 | - | - | - |


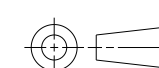
2129454-1; AS SHOWN

W/O CAP CONDITION

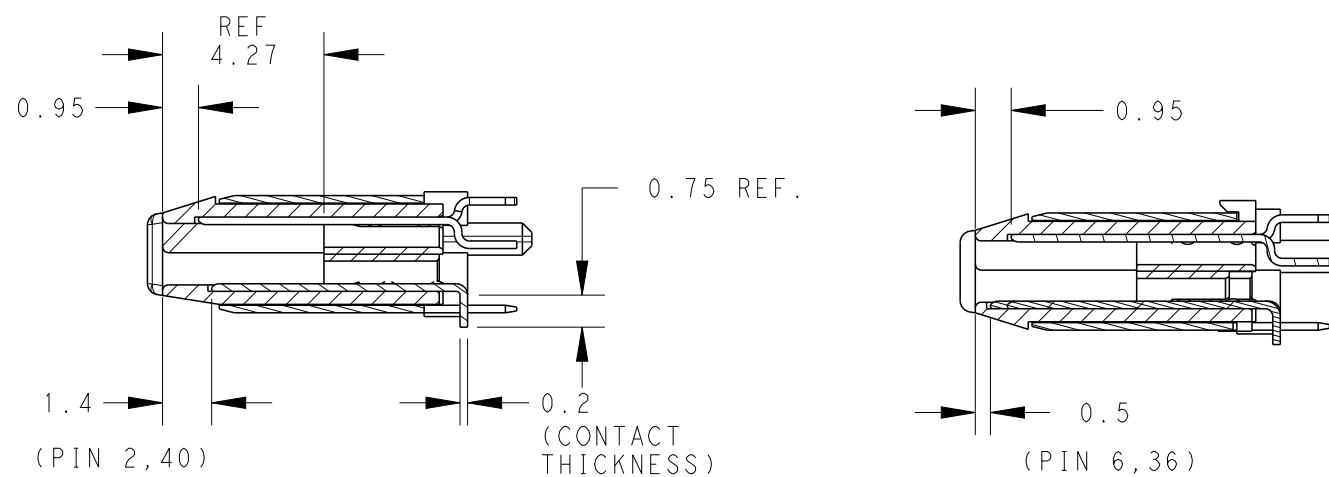
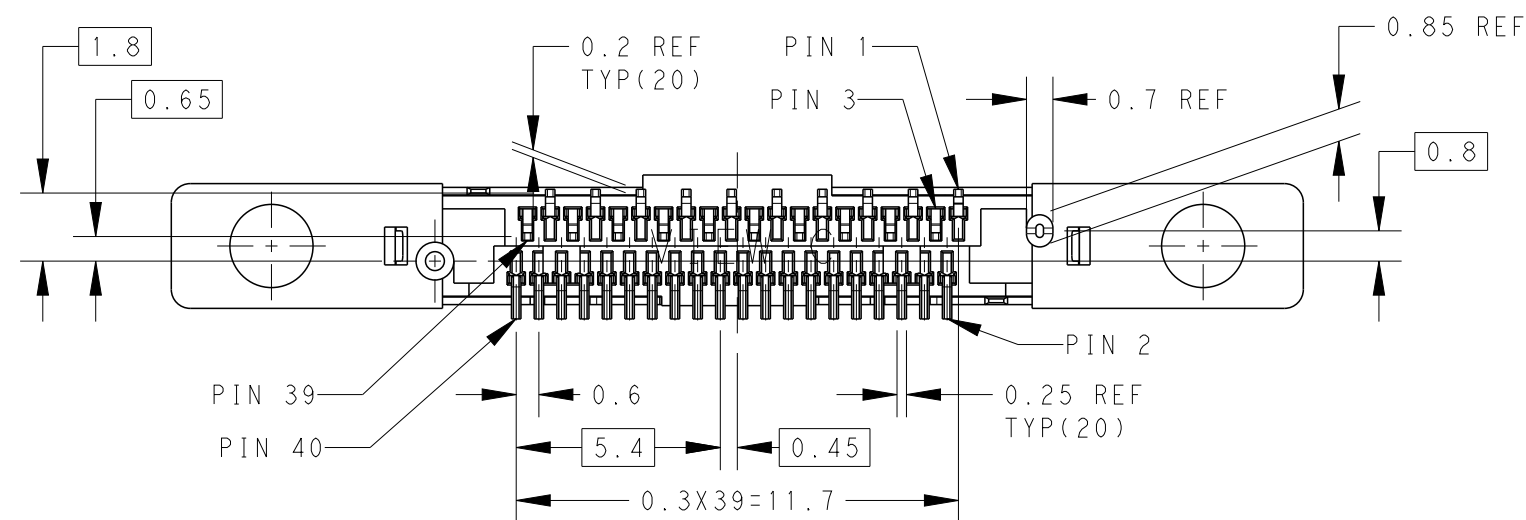
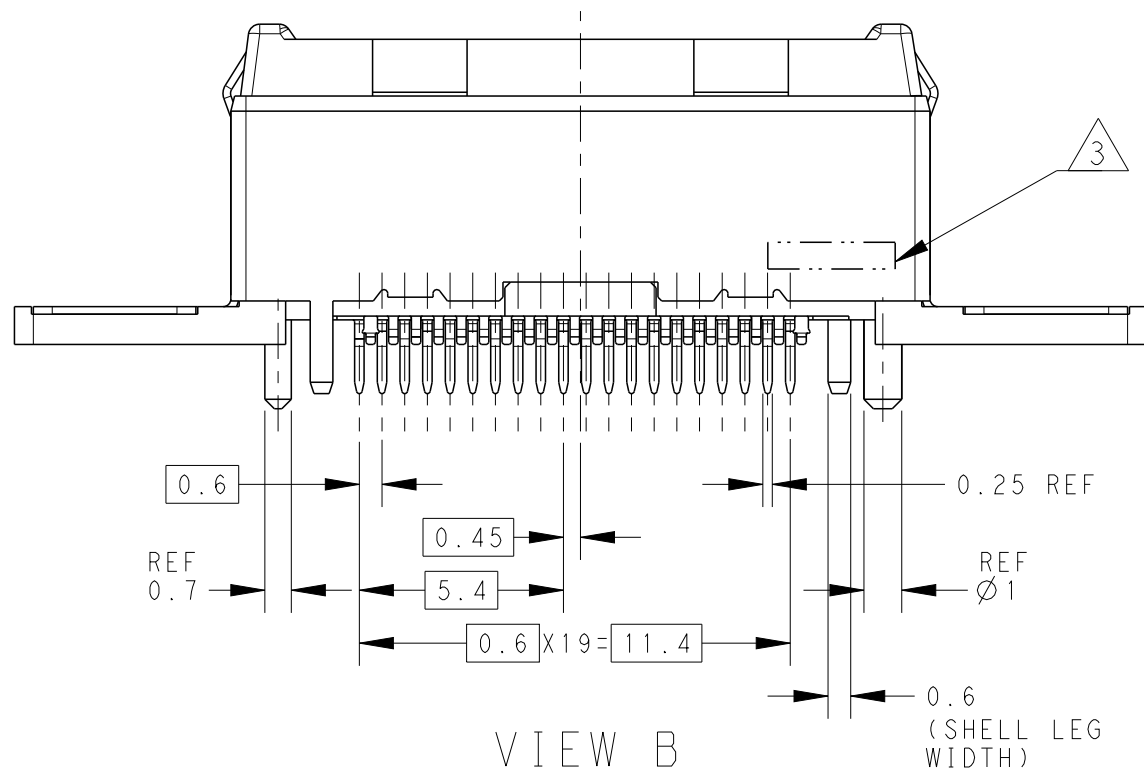


VIEW B

VIEW C


| | | | | | | |
|---|--|------------------|---|-----------|------------|---------------|
| THIS DRAWING IS A CONTROLLED DOCUMENT. | | DWN |  TE Connectivity | | | |
| DIMENSIONS: mm | | CHK | | | | |
|  | | APVD | | | | |
| TOLERANCES UNLESS OTHERWISE SPECIFIED: | | PRODUCT SPEC | | | | |
| 0 PLC ± 1 PLC ± 2 PLC ± ±0.25 3 PLC ± 4 PLC ± ANGLES ±3° FINISH - | | APPLICATION SPEC | NAME PLUG ASSY, 0.6mm PITCH CHAMP DOCKING CONNECTOR, 40POS | | | |
| MATERIAL - | | WEIGHT | SIZE | CAGE CODE | DRAWING NO | RESTRICTED TO |
| | | CUSTOMER DRAWING | A3 | 00779 | 2129454 | - |
| | | SCALE | SHEET | | OF | REV |
| | | 5:1 | 2 | | 5 | A |

| P | LTR | DESCRIPTION | DATE | DWN | APVD |
|---|-----|-------------|------|-----|------|
| - | - | SEE SHEET 1 | - | - | - |



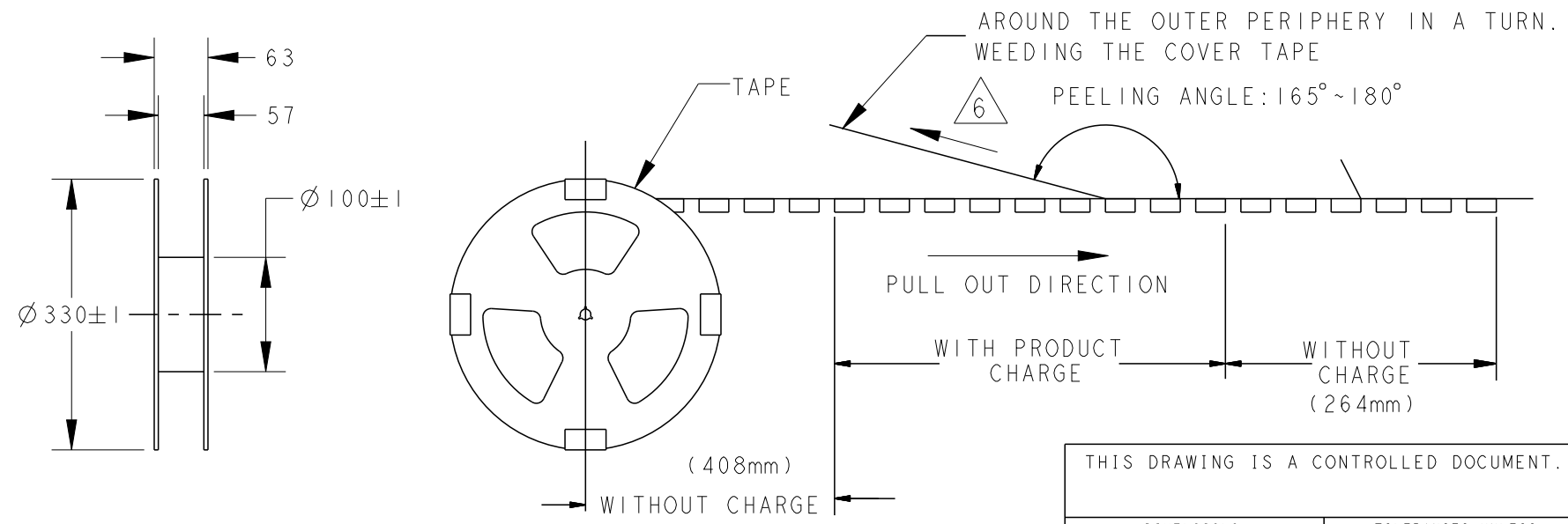
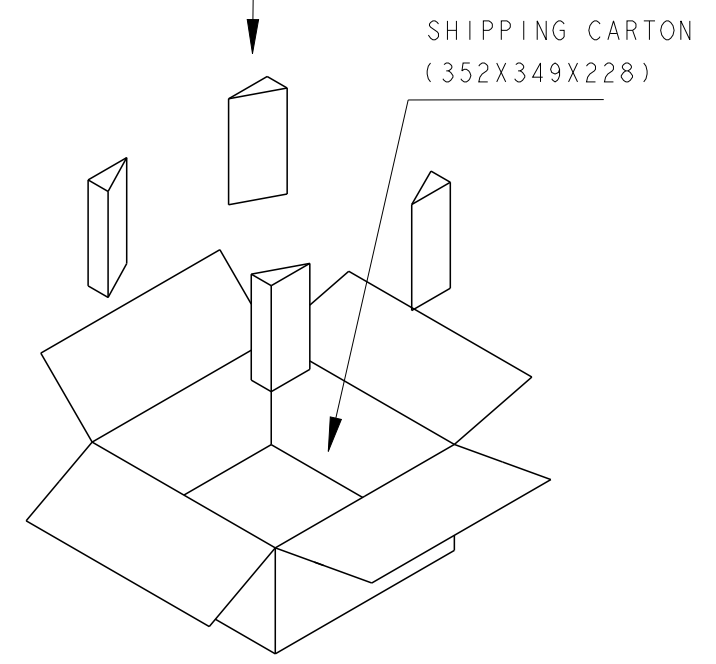
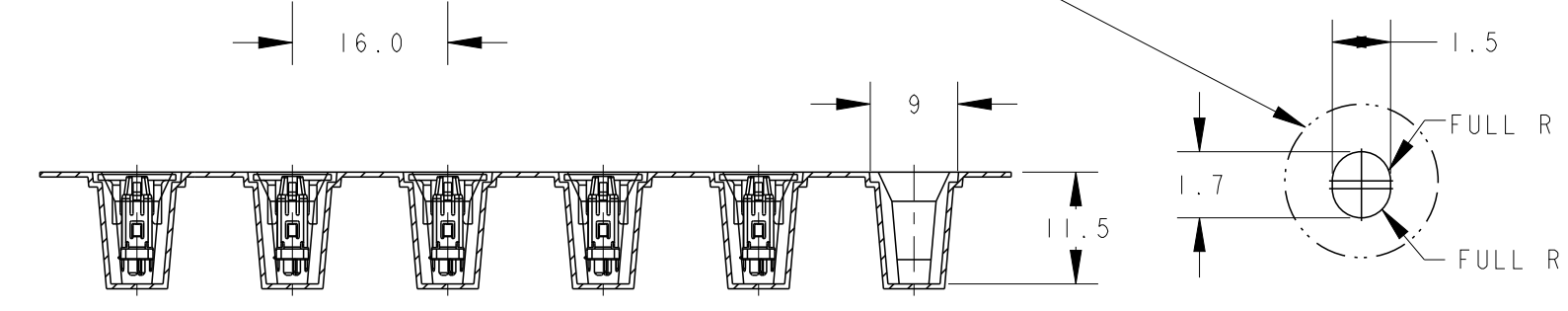
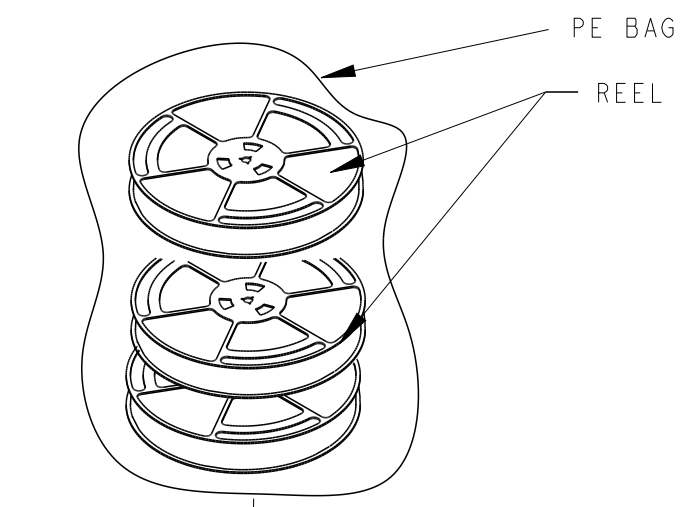
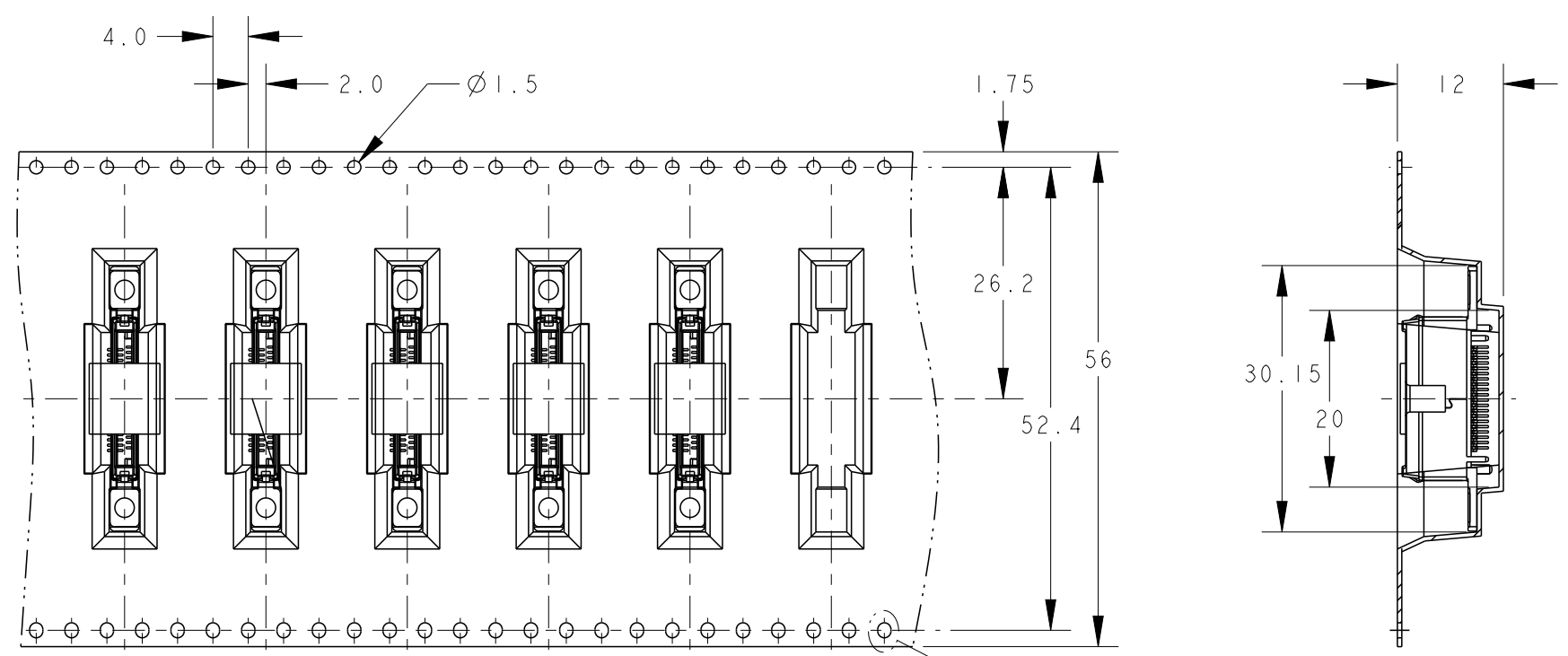
SECTION A - A

SECTION D - D

| | | | | | | | | | | | | | | | | | |
|--|--------|------------------|---|--|-------|---|-------|--------|-------|---|-------|---|--------|-----|--------|---|--------------|
| THIS DRAWING IS A CONTROLLED DOCUMENT. | | DWN | - |  TE Connectivity | | | | | | | | | | | | | |
| DIMENSIONS: mm | | CHK | - | | | | | | | | | | | | | | |
| TOLERANCES UNLESS OTHERWISE SPECIFIED: | | APVD | - | | | | | | | | | | | | | | |
| <table border="1"> <tr><td>Ø PLC</td><td>±</td></tr> <tr><td>1 PLC</td><td>±</td></tr> <tr><td>2 PLC</td><td>± 0.25</td></tr> <tr><td>3 PLC</td><td>±</td></tr> <tr><td>4 PLC</td><td>±</td></tr> <tr><td>ANGLES</td><td>±3°</td></tr> <tr><td>FINISH</td><td>-</td></tr> </table> | | Ø PLC | ± | | 1 PLC | ± | 2 PLC | ± 0.25 | 3 PLC | ± | 4 PLC | ± | ANGLES | ±3° | FINISH | - | PRODUCT SPEC |
| Ø PLC | ± | | | | | | | | | | | | | | | | |
| 1 PLC | ± | | | | | | | | | | | | | | | | |
| 2 PLC | ± 0.25 | | | | | | | | | | | | | | | | |
| 3 PLC | ± | | | | | | | | | | | | | | | | |
| 4 PLC | ± | | | | | | | | | | | | | | | | |
| ANGLES | ±3° | | | | | | | | | | | | | | | | |
| FINISH | - | | | | | | | | | | | | | | | | |
| MATERIAL | | APPLICATION SPEC | - | NAME PLUG ASSY, 0.6mm PITCH CHAMP DOCKING CONNECTOR, 40POS | | | | | | | | | | | | | |
| | | WEIGHT | - | SIZE A3 | | | | | | | | | | | | | |
| | | CUSTOMER DRAWING | - | CAGE CODE 00779 | | | | | | | | | | | | | |
| | | | - | DRAWING NO C-2129454 | | | | | | | | | | | | | |
| | | | - | RESTRICTED TO | | | | | | | | | | | | | |
| | | | - | SCALE 5:1 | | | | | | | | | | | | | |
| | | | - | SHEET 3 OF 5 | | | | | | | | | | | | | |
| | | | - | REV A | | | | | | | | | | | | | |

THIS DRAWING IS UNPUBLISHED. RELEASED FOR PUBLICATION 20
 © COPYRIGHT 20 BY - ALL RIGHTS RESERVED.

| LOC | DIST | REVISIONS | | | |
|-----|------|-------------|------|-----|------|
| P | LTR | DESCRIPTION | DATE | DWN | APVD |
| DW | | SEE SHEET 1 | - | - | - |



5. PACKING MATERIAL:
 CARRY TAPE: PS; COLOR:BLACK.
 COVER TAPE: PET; COLOR: CLEAR.
 PEELING STRENGTH OF COVER TAPE: 0.2N~1.2N

| PCS/TAPE | REELS/CARTON | TOTAL QUANTITY |
|----------|--------------|----------------|
| 300 | 3 | 900 |

| | | | | |
|---|--|------------------|--------|--|
| THIS DRAWING IS A CONTROLLED DOCUMENT. | | DWN | - | STE TE Connectivity |
| DIMENSIONS: mm | | CHK | - | |
| TOLERANCES UNLESS OTHERWISE SPECIFIED: | | APVD | - | |
| Ø PLC ± 1 PLC ± 2 PLC ± ±0.5 3 PLC ± 4 PLC ± ANGLES ±3° MATERIAL FINISH - | | PRODUCT SPEC | - | |
| | | APPLICATION SPEC | - | NAME PLUG ASSY, 0.6mm PITCH CHAMP DOCKING CONNECTOR, 40POS |
| | | WEIGHT | - | SIZE A300779 |
| | | CUSTOMER DRAWING | - | CAGE CODE C-2129454 |
| | | SCALE | 5:1 | DRAWING NO - |
| | | SHEET | 5 OF 5 | RESTRICTED TO - |
| | | REV | A | |

单击下面可查看定价，库存，交付和生命周期等信息

[>>TE Connectivity\(泰科\)](#)