


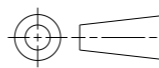


THIS DRAWING IS UNPUBLISHED. RELEASED FOR PUBLICATION 20

© COPYRIGHT 20 BY - TE Connectivity ALL RIGHTS RESERVED.

REVISIONS					
P	LTR	DESCRIPTION	DATE	DWN	APVD
	E	OBSOLETE PER ECR-18-011138	20JUL2018	E.Z	W.H

OBSOLETE

NYLON	1735616-2
HOUSING MATERIAL	PART NUMBER

THIS DRAWING IS A CONTROLLED DOCUMENT.		DWN TY PANG 27DEC2007	 TE Connectivity		
DIMENSIONS: mm		CHK SK LEAW 02APR2008			
		APVD SF LEONG 02APR2008	NAME CONNECTOR ASSEMBLY, 7+6P SLIMLINE SATA CABLE RECEPTACLE LATCH TYPE		
		PRODUCT SPEC -			
TOLERANCES UNLESS OTHERWISE SPECIFIED:		APPLICATION SPEC -	SIZE A3	CAGE CODE 00779	DRAWING NO C-1735616
0 PLC ±- 1 PLC ±0.2 2 PLC ±0.20 3 PLC ±- 4 PLC ±- ANGLES ±- ±2°		WEIGHT -	RESTRICTED TO -		
MATERIAL 	FINISH 	CUSTOMER DRAWING		SCALE 3:1	SHEET 1 OF 1
			REV E		

单击下面可查看定价，库存，交付和生命周期等信息

[>>TE Connectivity\(泰科\)](#)