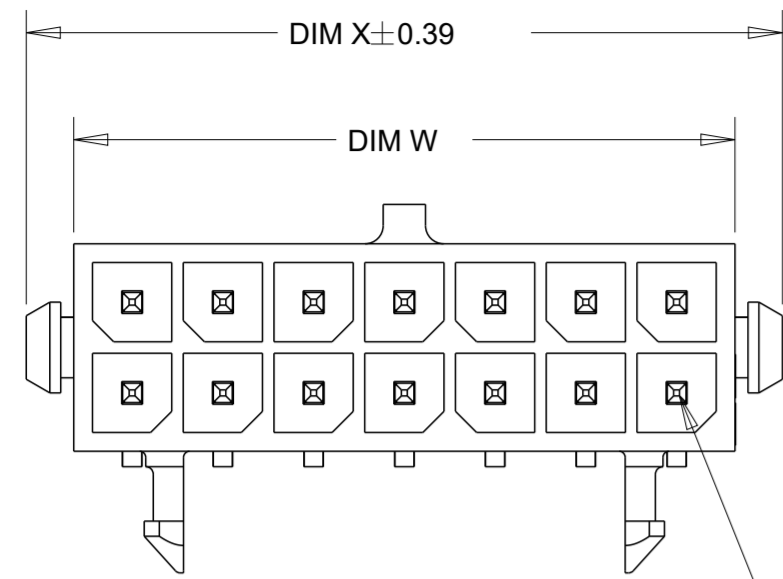
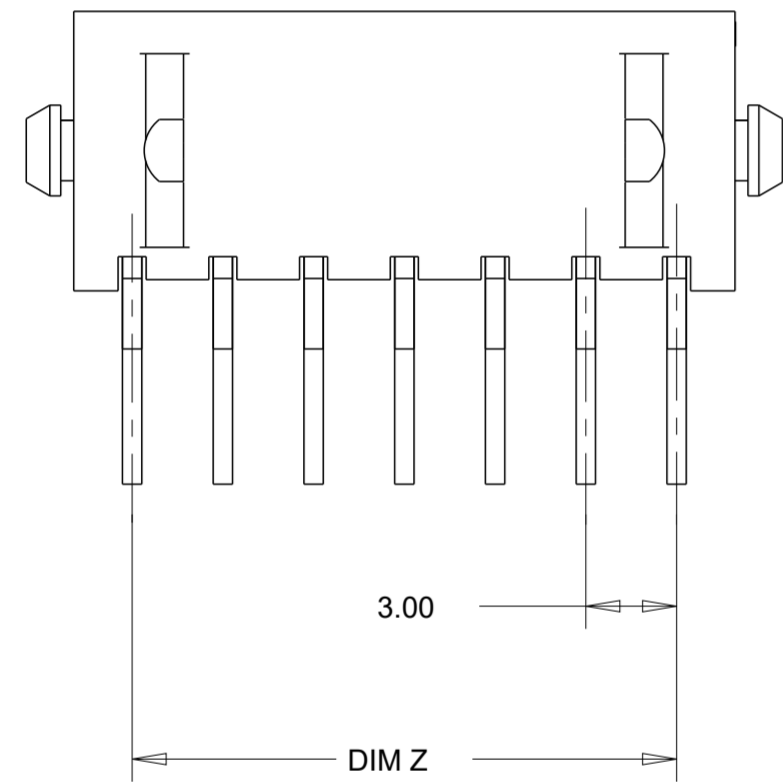
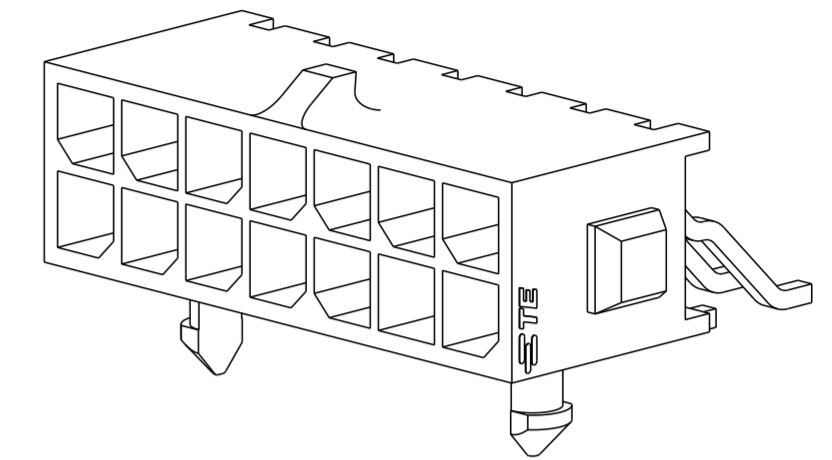
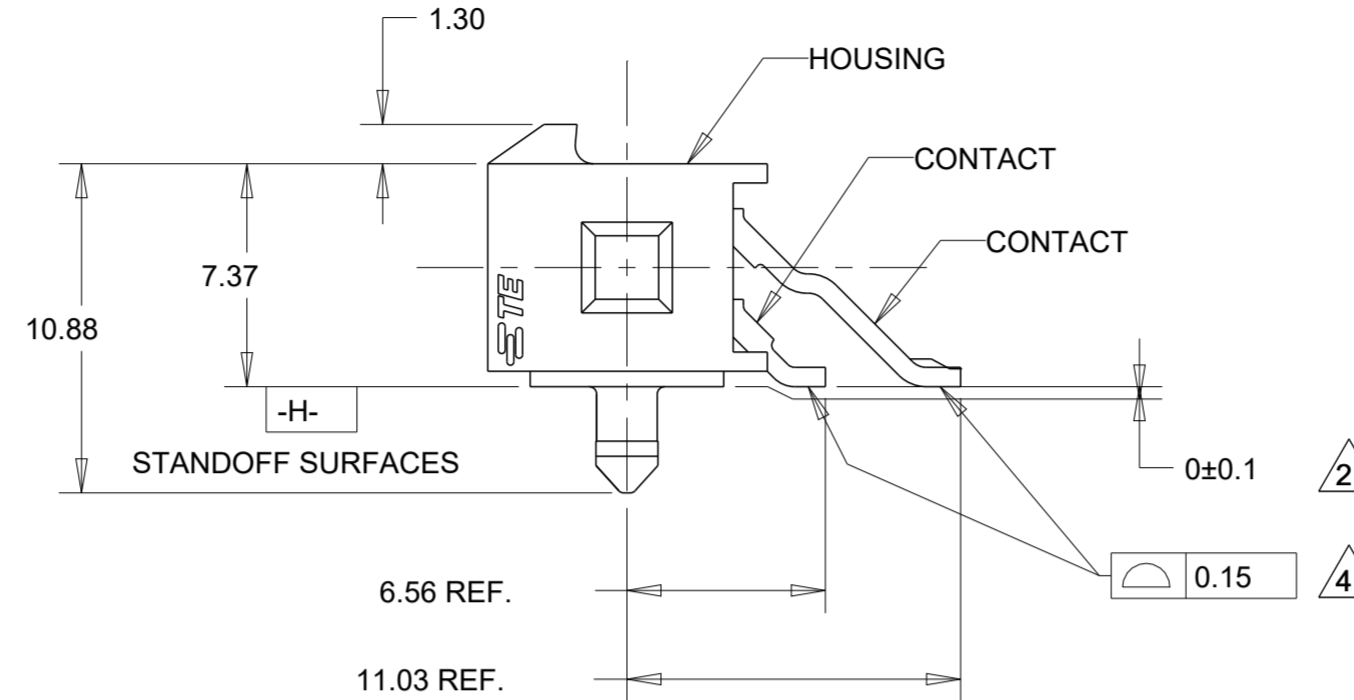


REVISIONS					
P	LTR	DESCRIPTION	DATE	DWN	APVD
G1		REVISED PER ECR-16-011494	21JUN2017	NK	CX
G2		ECO-19-006502	29APR2019	AP	WLS
G3		REVISED PER ECO-20-009852	14JUL2020	WLS	DZ
G4		REVISED PER ECN-21-100661	22FEB2021	WLS	VS



CIRCUIT NUMBER 1



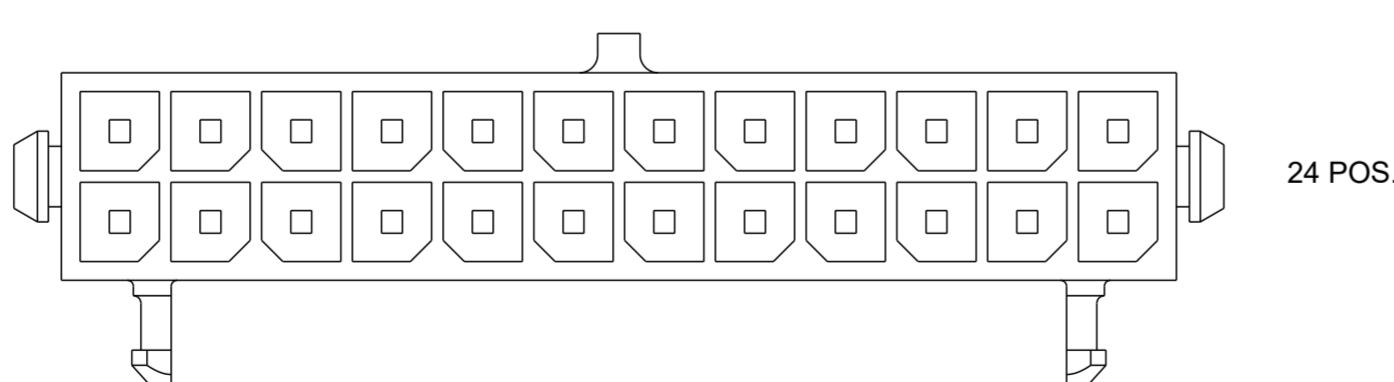
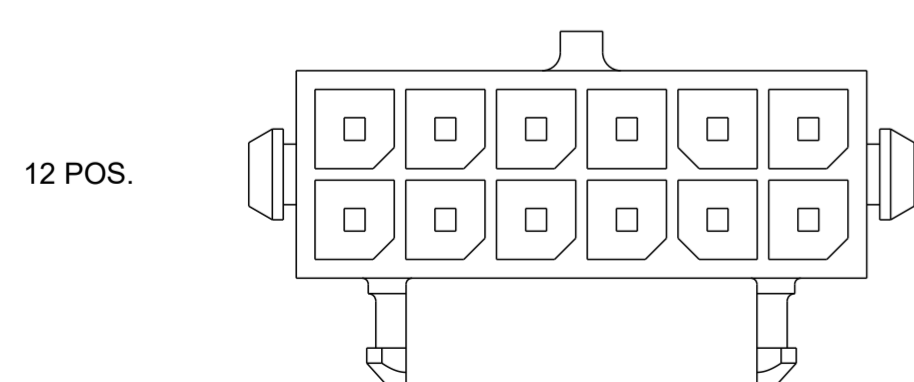
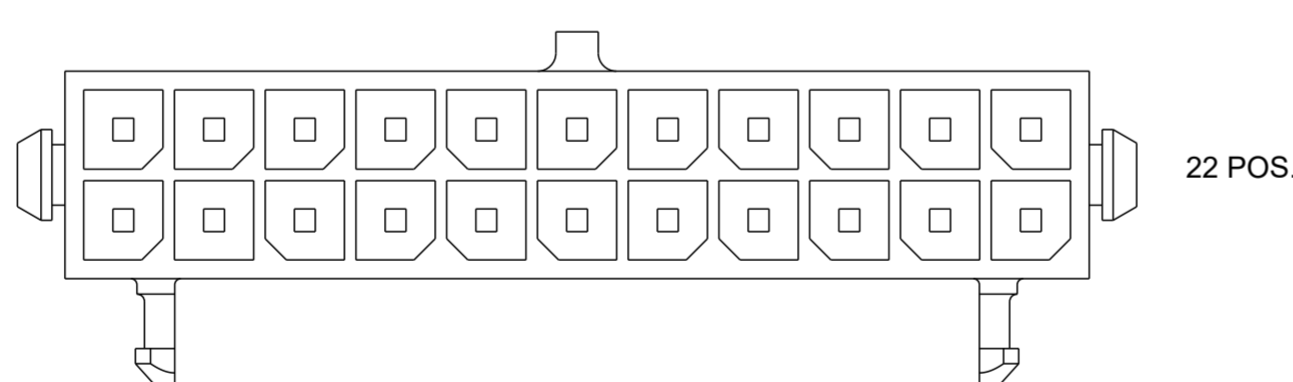
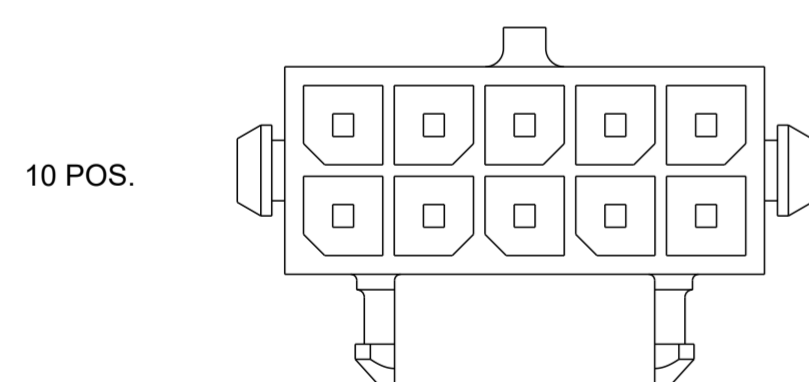
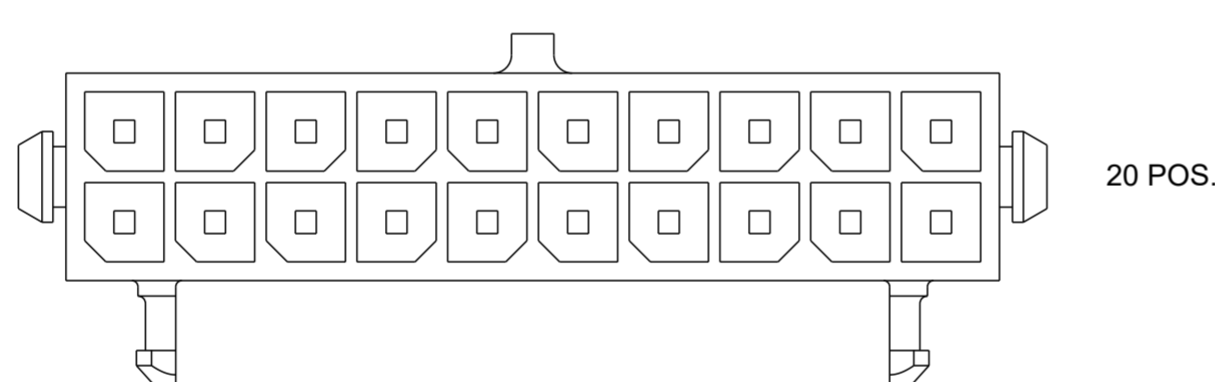
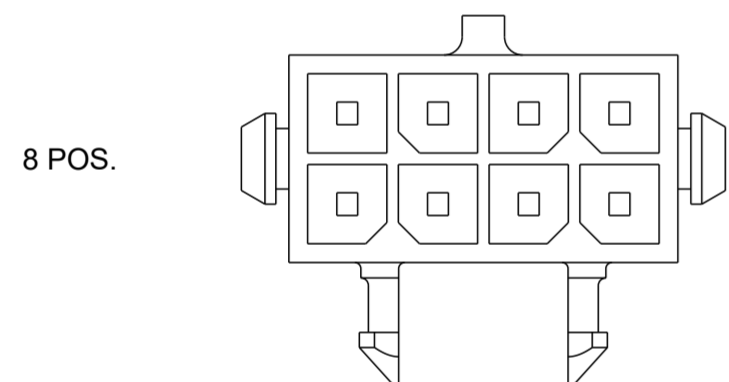
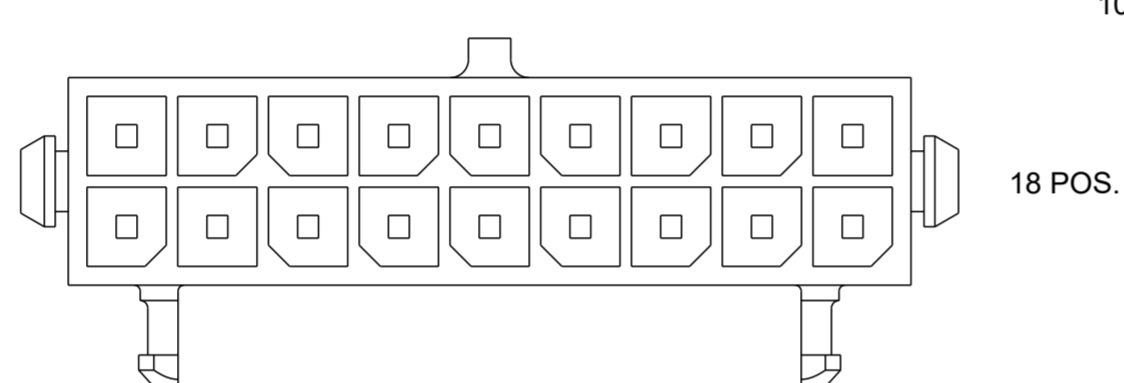
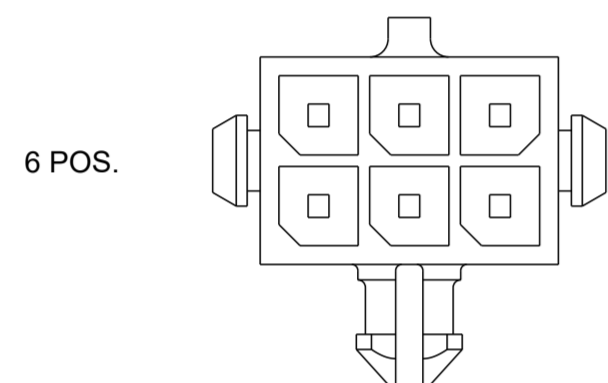
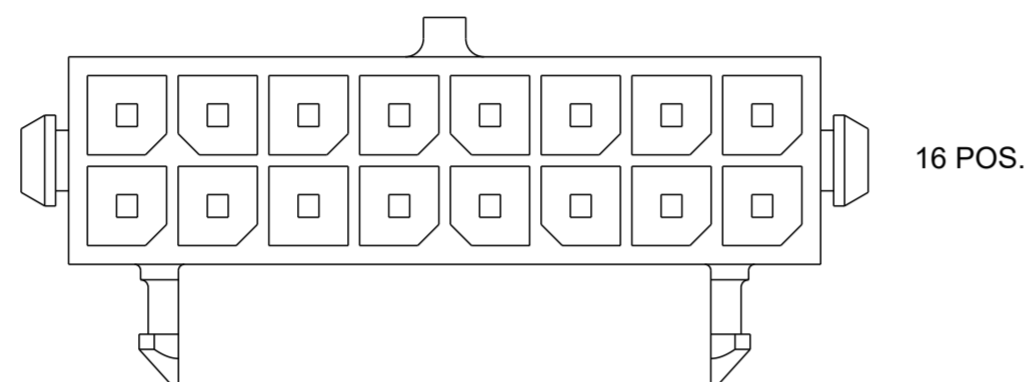
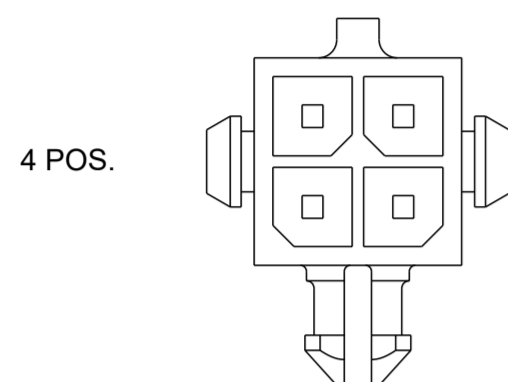
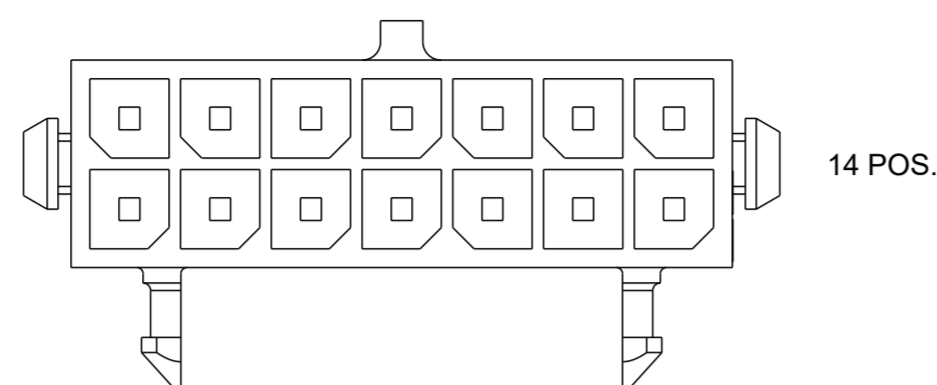
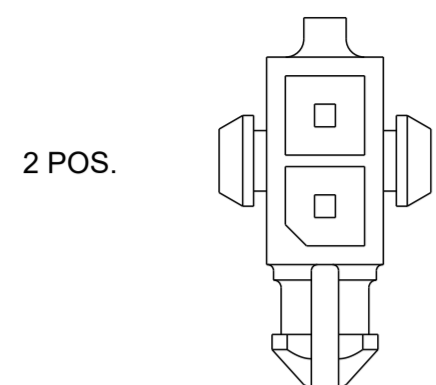
- 1 MATERIAL;  
HOUSING - UL 94V-0 RATED HIGH TEMP NYLON, COLOR BLACK.  
CONTACTS - BRASS.
- 2 DIMENSION APPLIES TO SOLDER TAIL SURFACES AND STANDOFF SURFACES.
- 3 RECOMMENDED PC BOARD THICKNESS OF 1.57.
- 4 ALL SOLDER TAILS.
- 5 PLATING;  
CONTACTS - 0.38µm MINIMUM GOLD ON MATING AREA.  
2.54µm MINIMUM MATTE TIN ON SOLDER TAILS.  
ALL OVER 1.27µm MINIMUM NICKEL.

6 COUNTERPART RECOMMENDED IS PN 794617 (DASH ACCORDING TO NUMBER OF POSITION).  
7 FOR REELING DIRECTION AND PACKAGING TYPE, SEE SPECIFICATION 114-13000.

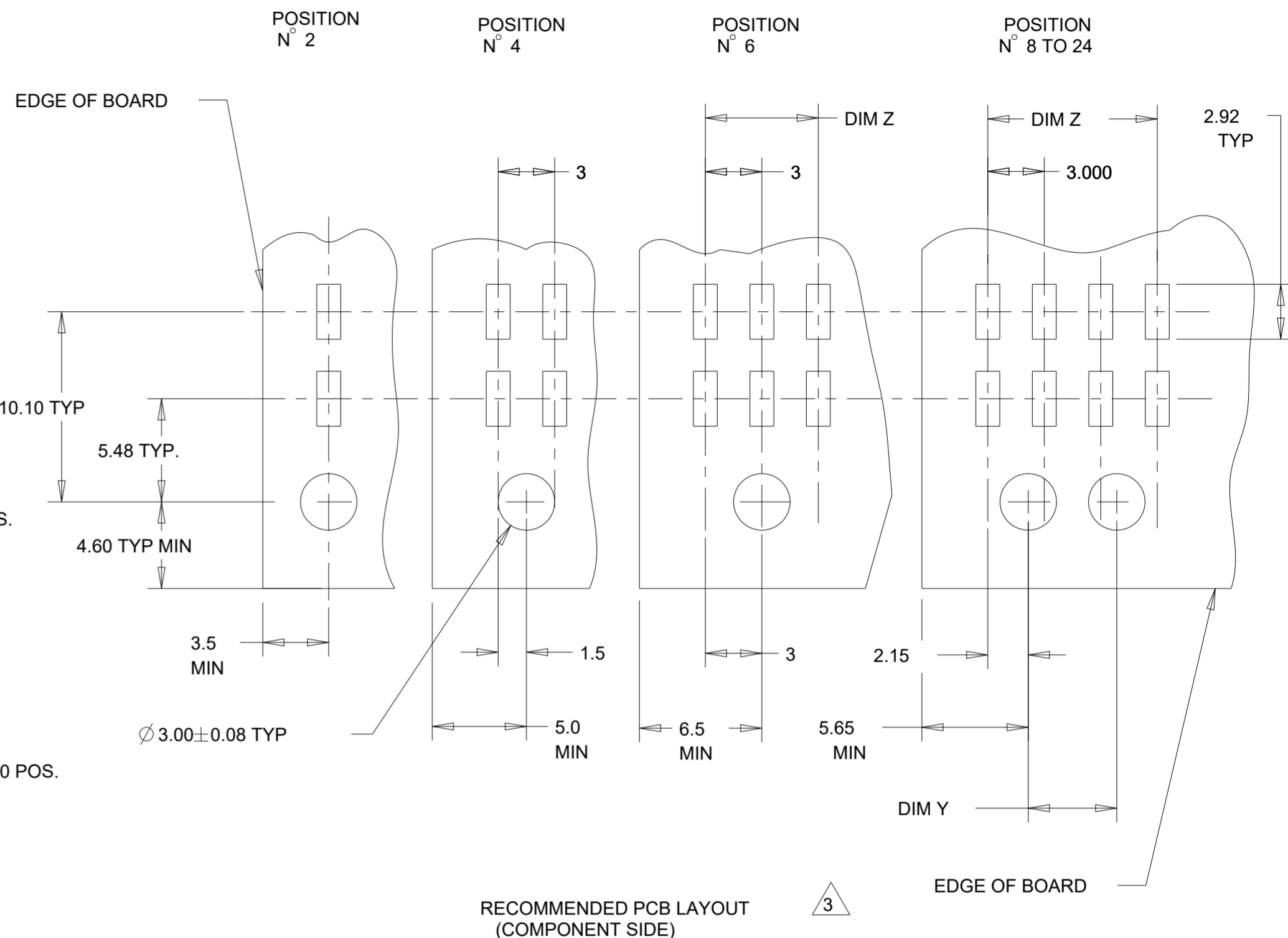
36.86	28.70	33.00	40.00	24	5-794622-4
33.86	25.70	30.00	37.00	22	5-794622-2
30.86	22.70	27.00	34.00	20	5-794622-0
27.86	19.70	24.00	31.00	18	4-794622-8
24.86	16.70	21.00	28.00	16	4-794622-6
21.86	13.70	18.00	25.00	14	4-794622-4
18.86	10.70	15.00	22.00	12	4-794622-2
15.86	7.70	12.00	19.00	10	4-794622-0
12.86	4.70	9.00	16.00	8	3-794622-8
9.86	-	6.00	13.00	6	3-794622-6
6.86	-	3.00	10.00	4	3-794622-4
3.86	-	-	7.00	2	3-794622-2
DIM W	DIM Y	DIM Z	DIM X	NO. OF POSN.	PART NUMBER

THIS DRAWING IS A CONTROLLED DOCUMENT.		DWN K. WHITAKER 28JAN2002	TE Connectivity		
		CHK C. JONES 28JAN2002			
DIMENSIONS: mm		APVD C. JONES 28JAN2002	NAME SURFACE MOUNT, R/A, 15 GOLD HEADER, PLASTIC BOARDLOCK, DUAL ROW, MICRO MATE-N-LOK (TM)		
		PRODUCT SPEC 108-1836	SIZE A2	CAGE CODE 00779	DRAWING NO. G-794622
TOLERANCES UNLESS OTHERWISE SPECIFIED: 0 PLC ± 1 PLC ± 2 PLC ±0.13 3 PLC ± 4 PLC ± ANGLES ±° FINISH		APPLICATION SPEC 114-13000	RESTRICTED TO		
MATERIAL 1		WEIGHT -	SCALE 4:1	SHEET 1 OF 2	REV G4
CUSTOMER DRAWING					

REVISIONS					
P	LTR	DESCRIPTION	DATE	DWN	APVD
-	-	SEE SHEET 1	-	-	-



KEYING BY POSITION SIZE



THIS DRAWING IS A CONTROLLED DOCUMENT.		DWN K. WHITAKER 28JAN2002	TE Connectivity		
		CHK C. JONES 28JAN2002			
		APVD C. JONES 28JAN2002	NAME SURFACE MOUNT, R/A, 15 GOLD HEADER, PLASTIC BOARDLOCK, DUAL ROW, MICRO MATE-N-LOK (TM)		
DIMENSIONS:		TOLERANCES UNLESS OTHERWISE SPECIFIED:		PRODUCT SPEC 108-1836	
mm	0 PLC ±	1 PLC ±	2 PLC ±0.13	APPLICATION SPEC 114-13000	
	3 PLC ±	4 PLC ±	ANGLES ±°	WEIGHT	
MATERIAL	FINISH			SIZE A2	
-	-			CAGE CODE 00779	
				DRAWING NO 794622	
				RESTRICTED TO	
				SCALE 4:1	
				SHEET 2 OF 2	
				REV G4	
				CUSTOMER DRAWING	

单击下面可查看定价，库存，交付和生命周期等信息

[>>TE Connectivity\(泰科\)](#)