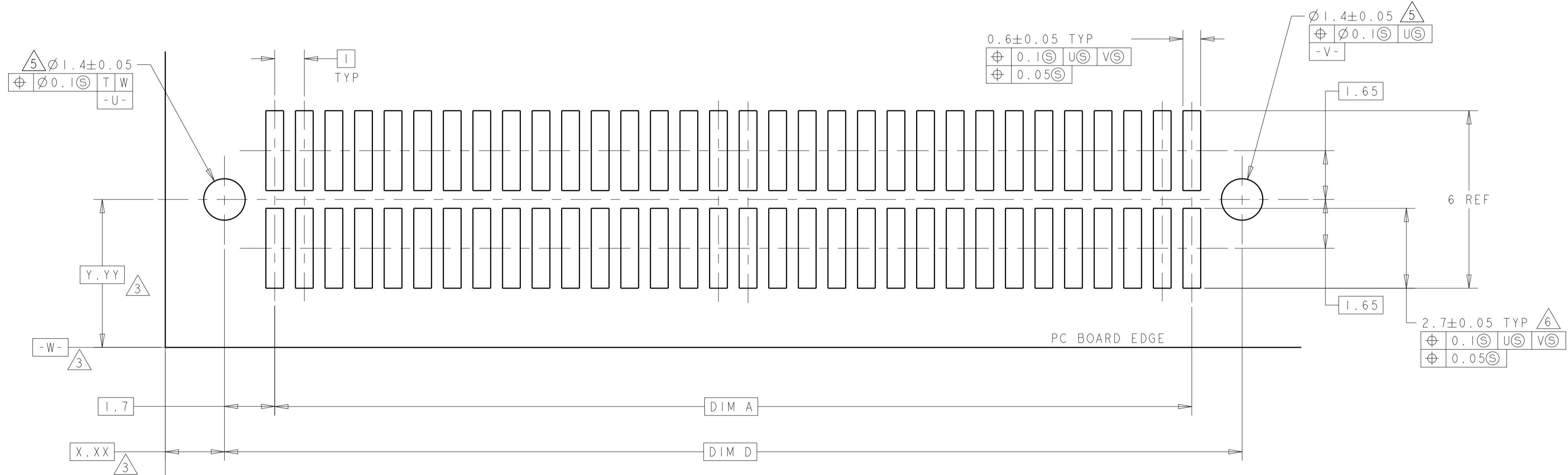
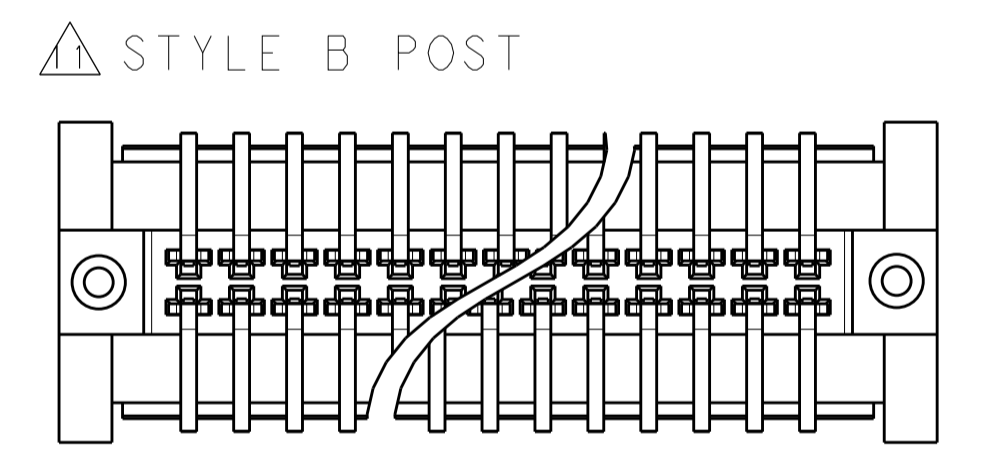
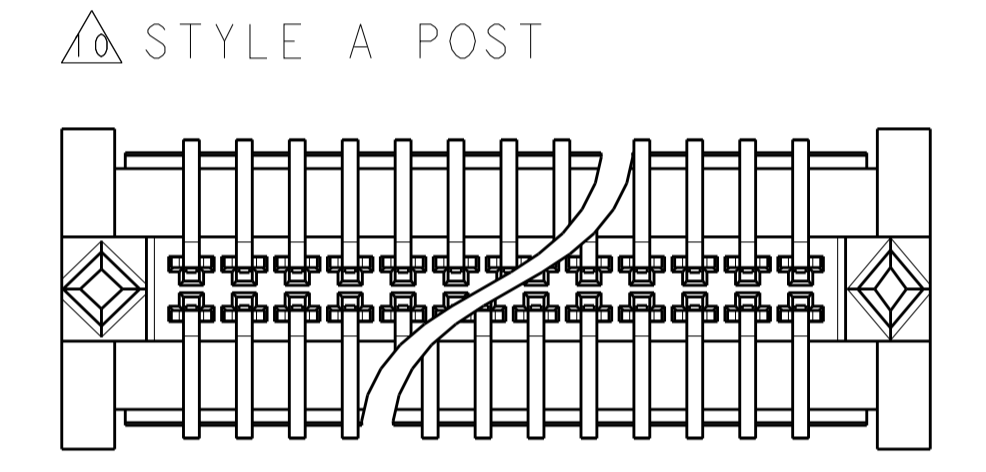
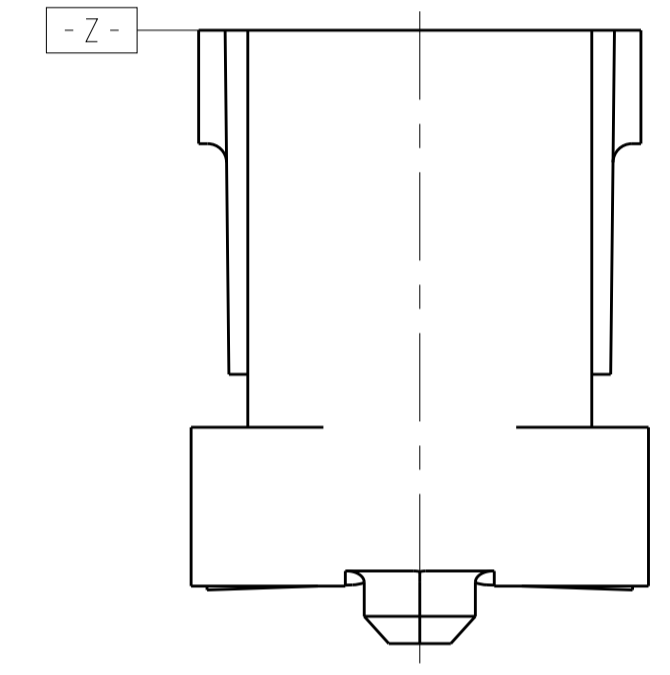
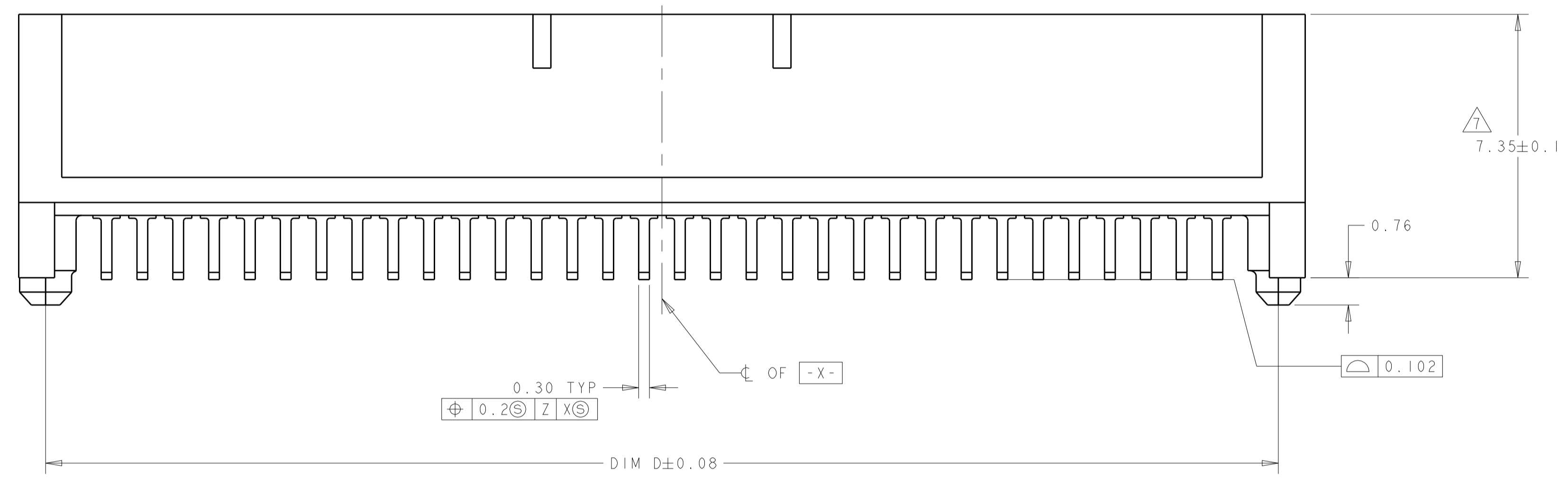
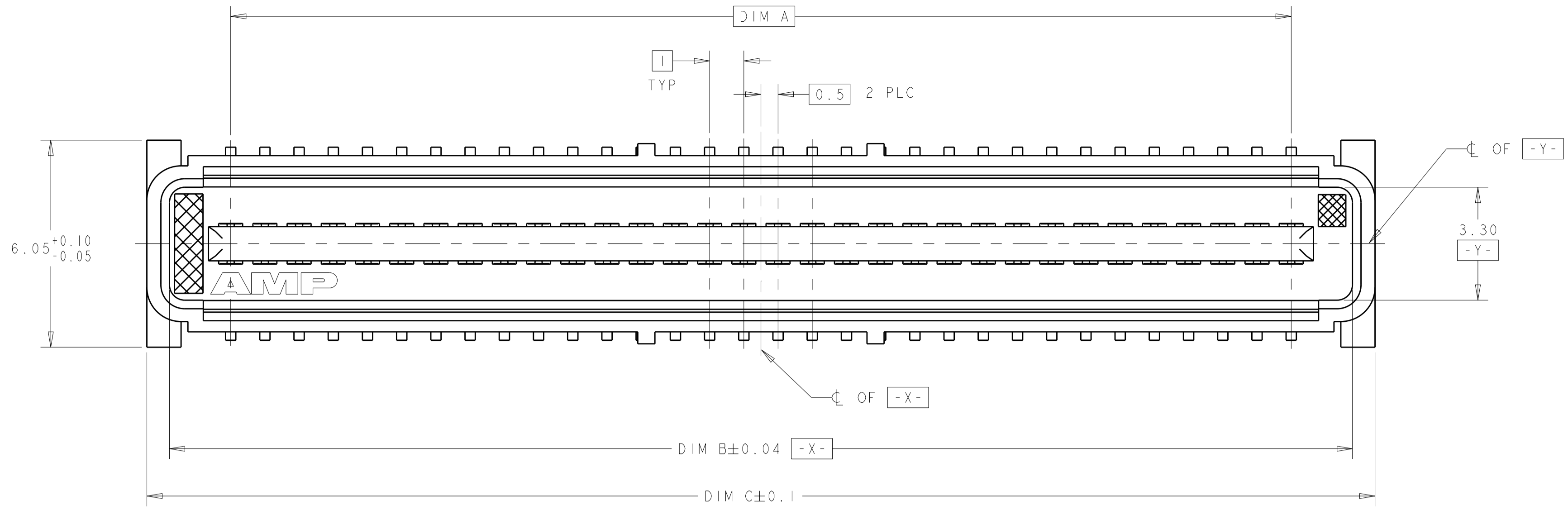


REVISIONS				
P.	LTM	DESCRIPTION	DATE	OWN APVD
G		REV PER ECR-14-016951	11FEB2015	J.T W.H



RECOMMENDED PC BOARD LAYOUT

- HOUSING MATERIAL: LIQUID CRYSTAL POLYMER, COLOR; BLACK. CONTACT MATERIAL: PHOSPHOR BRONZE.
 - CONTACT FINISH: NICKEL UNDERPLATE ALL OVER, MATING SURFACES PLATED TO MEET PLI PERFORMANCE REQUIREMENTS OF INDUSTRY SPECIFICATION EIA-700AAAB, SOLDER TAILS PLATED TIN-LEAD.
 - DATUM LOCATIONS AND BASIC DIMENSIONS TO BE ESTABLISHED BY THE CUSTOMER. CONSULT AMP ENGINEERING WHEN PLACING MULTIPLE CONNECTORS ON A PC BOARD.
 - PACKAGED IN TAPE ON REEL PER EIA-481.
 - 1.5 MIN DIAMETER HOLE SHOULD BE USED IF USING POST STYLE "A" AND PLACING ON PCB WITH VACUUM PLACEMENT EQUIPMENT.
 - SHORTER SOLDER LANDS MAY BE USED PER EIA 700AAAB, HOWEVER 2.7 LENGTH ASSURES OPTIMUM SOLDER FILLET REGARDLESS OF MANUFACTURER OF CONNECTOR.
 - REFERRED TO AS DIM N IN EIA 700AAAB SPECIFICATION.
 - CONTACT FINISH: 0.002 MINIMUM BRIGHT TIN-LEAD (93-7) ON SOLDER AREA, 0.00127 MINIMUM GOLD ON MATING AREA, BOTH OVER 0.00127 MINIMUM NICKEL ON ENTIRE CONTACT.
- OBSELETE PART NUMBER.
- SQUARE AND DIAMOND SHAPED POSTS
 - ROUND SHAPED POSTS

POST STYLE	FINISH	DIM D	DIM C	DIM B	DIM A	STACK HGTS	POS	PART NO
1	8	44.4	45.9	44.58	41	9, 11, 14	84	3-120526-2
1	8	34.4	35.9	34.58	31	9, 11, 14	64	3-120526-1
1	2	44.4	45.9	44.58	41	9, 11, 14	84	2-120526-2
1	2	34.4	35.9	34.58	31	9, 11, 14	64	2-120526-1
10	8	44.4	45.9	44.58	41	9, 11, 14	84	1-120526-2
10	8	34.4	35.9	34.58	31	9, 11, 14	64	1-120526-1
9	10	44.4	45.9	44.58	41	9, 11, 14	84	120526-2
9	10	34.4	35.9	34.58	31	9, 11, 14	64	120526-1

THIS DRAWING IS A CONTROLLED DOCUMENT. DWN J. REED 2/11/97
 CHK L. VO 2/11/97
 APVD -

STE TE Connectivity

PRODUCT SPEC: 502-1079
 APPLICATION SPEC: 114-25045

NAME: PLUG ASSY, 1.0mm FH(IEEE1386)
 CONNECTOR

SIZE: A1
 CAGE CODE: 120526
 DRAWING NO: 502-1079

MATERIAL: SEE TABLE
 FINISH: SEE TABLE

CUSTOMER DRAWING
 SCALE: 10:1
 SHEET: 1 OF 1
 REV: G

单击下面可查看定价，库存，交付和生命周期等信息

[>>TE Connectivity\(泰科\)](#)