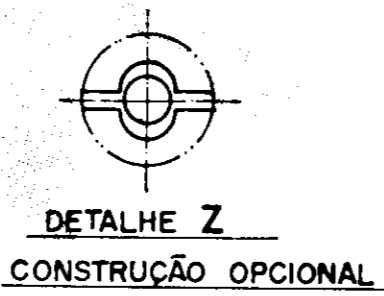
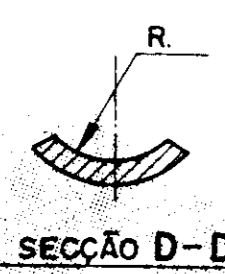
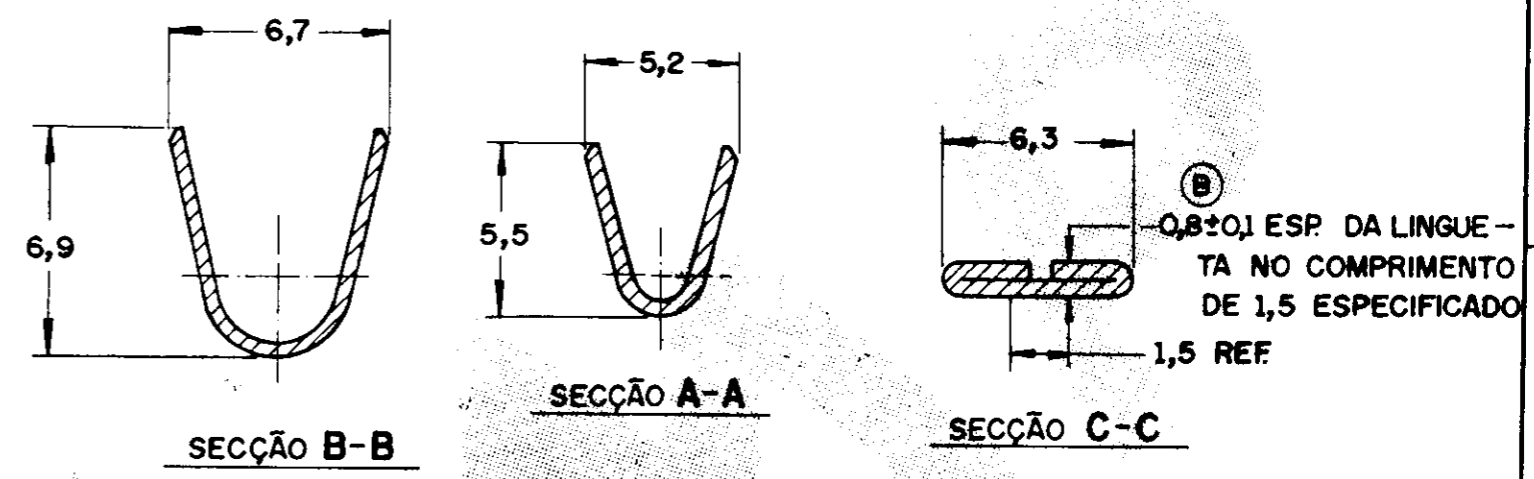
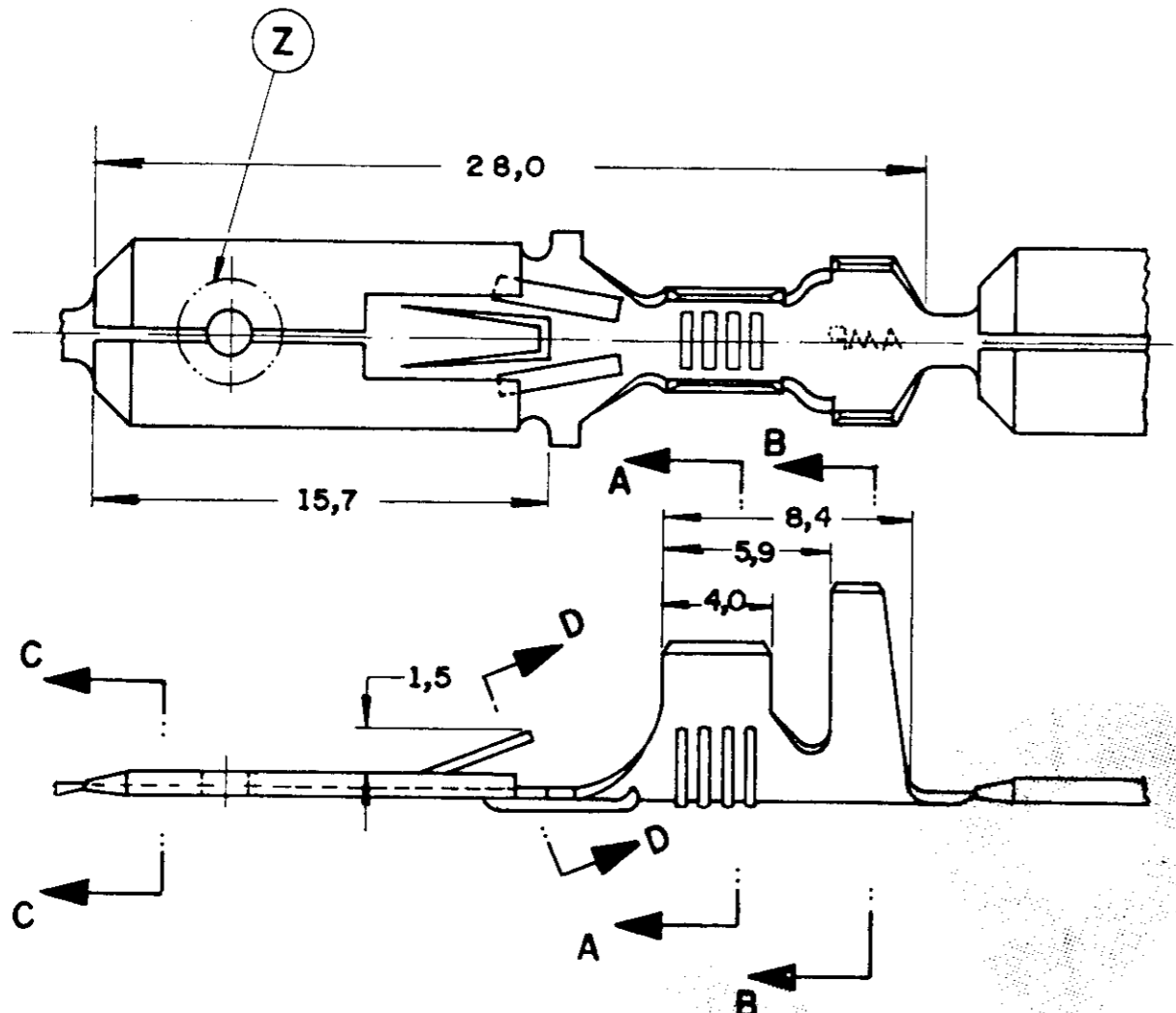


C444153

DO NOT SCALE  
DIMENSIONS IN METRIC  
3rd ANGLE PROJECTION



(A)	ESTANHADO	BRONZE FOSF.	-4
(A)	/	BRONZE FOSF.	-3
(A)	OBSOLETE	ESTANHADO	LATÃO
(A)	OBSOLETE	/	LATÃO
	OTHER TREATMENT	FINISH	MATERIAL
			PART NUMBER

<b>CUSTOMER DWG</b> for REFERENCE ONLY				THIS DRAWING IS UNPUBLISHED. RELEASED FOR PUBLICATION IS © COPYRIGHT 19 BY AMP DO BRASIL LTDA S.P. ALL INTERNATIONAL RIGHTS RESERVED. AMP PRODUCTS MAY BE COVERED BY U.S. AND FOREIGN PATENTS AND/OR PATENTS PENDING.			
TOLERANCES UNLESS OTHERWISE STATED DEC. ± 0,3 ANGLES ± 1°				INS. DIA. RANGE 3,2-4,3 mm WIRE RANGE >4,0-6,0mm SCALE 2 4:1			
DR. 06-10-92 Dourival Alves Rochg				<b>AMP</b> AMP do BRASIL LTDA. São Paulo, Brasil			
B1 REV. BY ECO 16-018477 HC 02JAN17				DESCRIPTION .250 SERIES FASTIN-ON TAB			
B ERA 0,8 LB-026-94 Dori 7/7 4Feb94				A3 DWG NO C444153 SHEET 1 OF 1			
A ADIC. TRACOS 2,3E4 06-10-93 M.R. 13-MAY-93				O ERA P92-29205 Dori 7/7 06-10-92			
REVISION RECORD DR CNK DATE				APP. 24/10/92			

单击下面可查看定价，库存，交付和生命周期等信息

[>>TE Connectivity\(泰科\)](#)