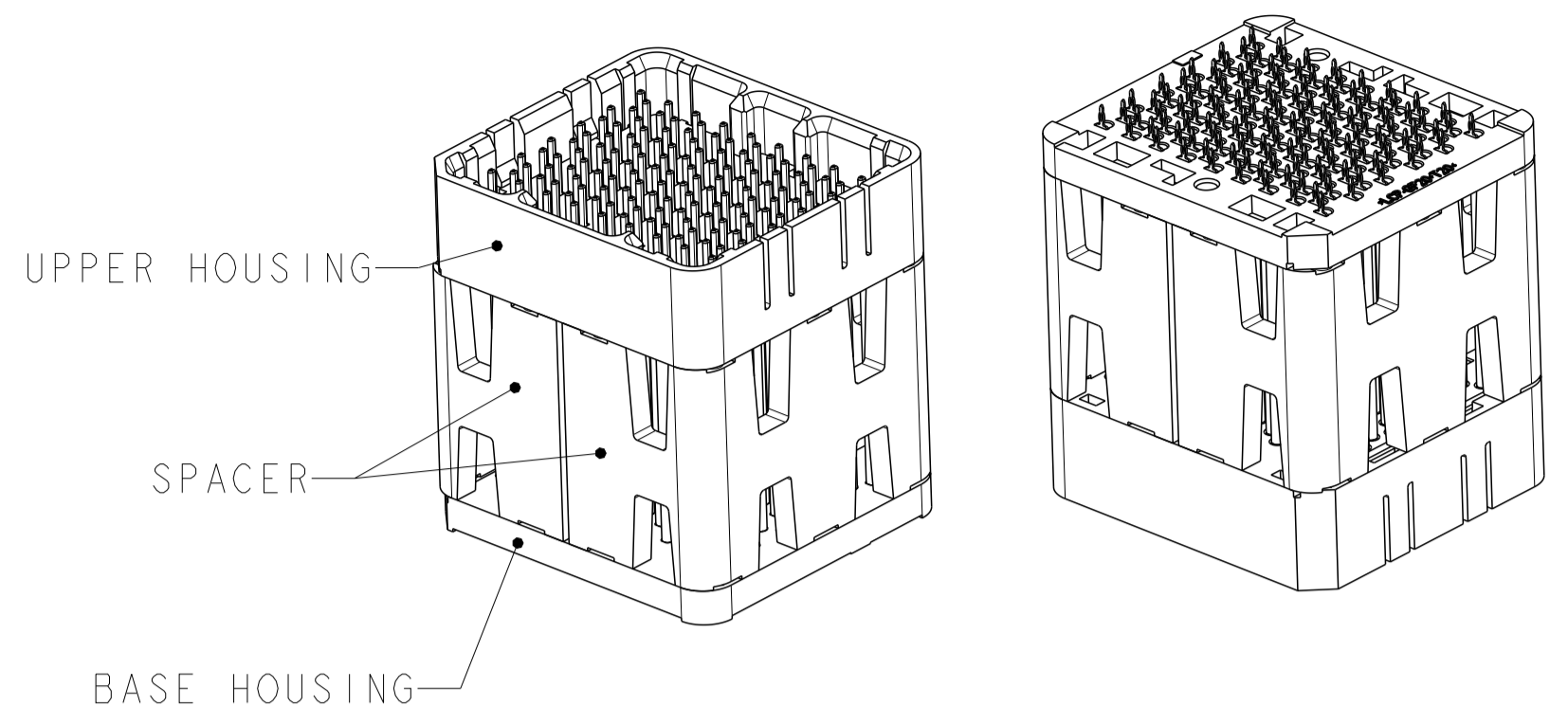
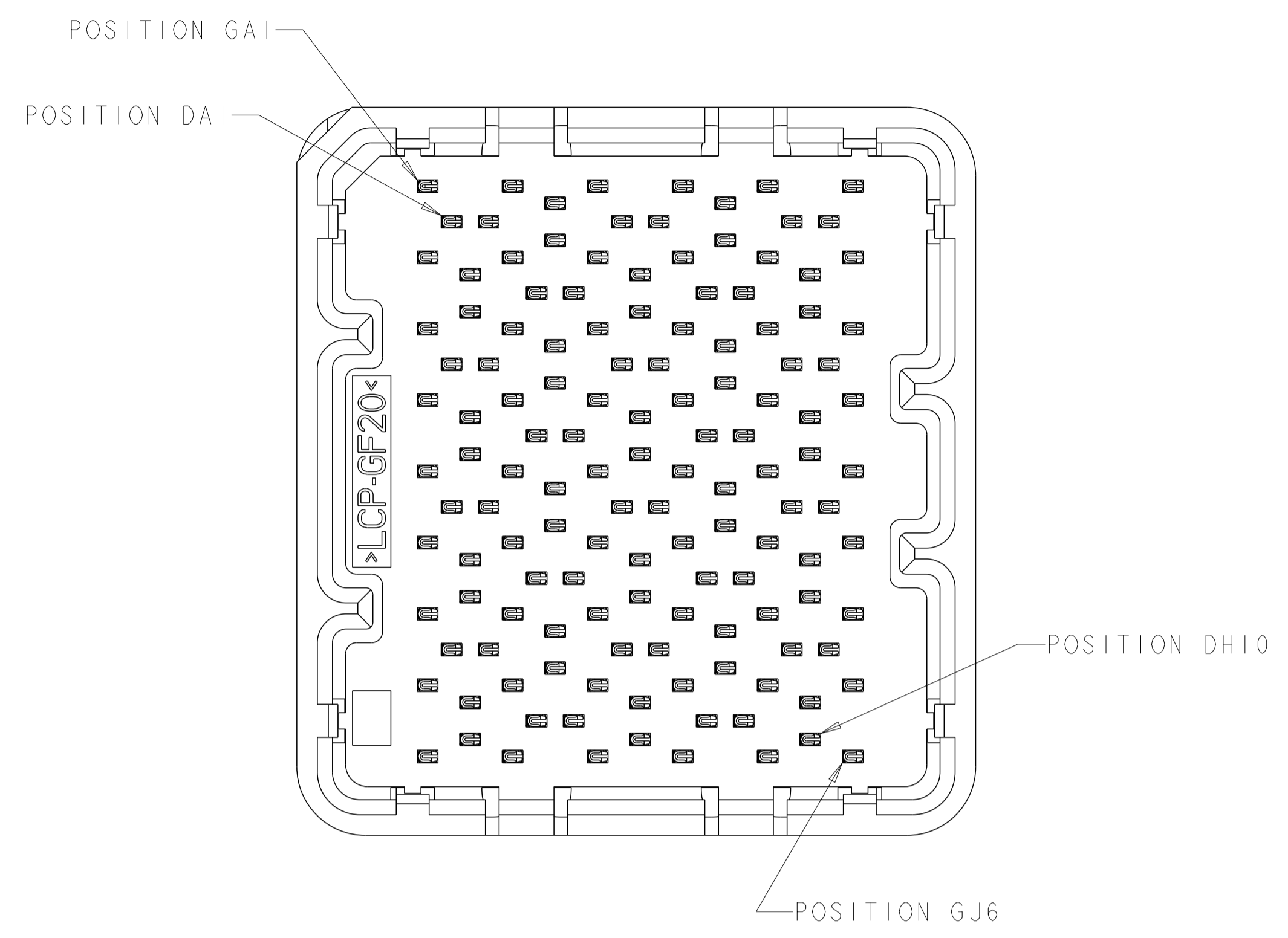
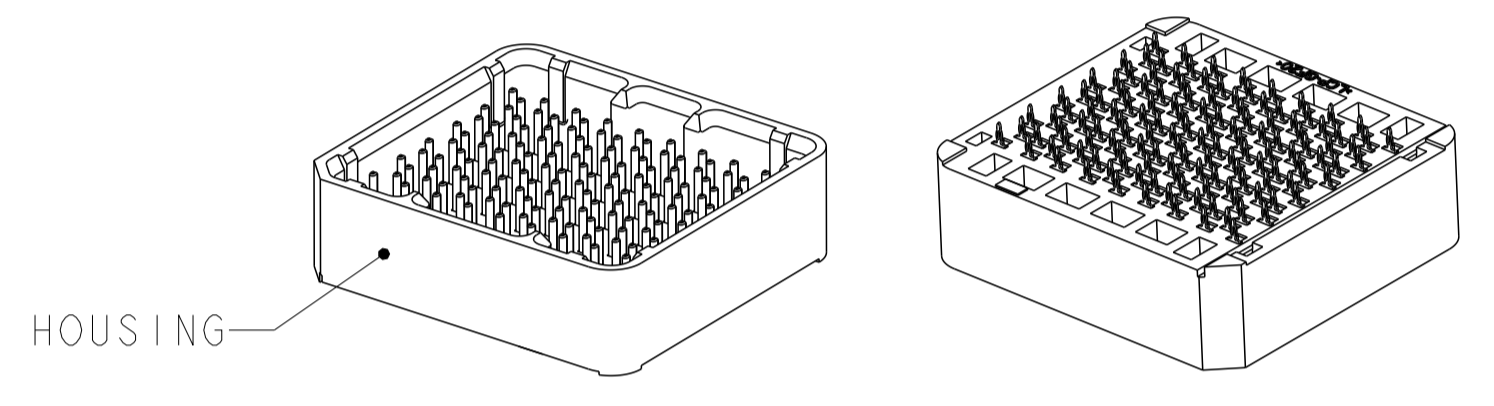


LOC	DIST	REVISIONS					
GP	00	P	LTN	DESCRIPTION	DATE	DWN	APVD
		A		REVISED PER ECO-13-006286	22APR2013	KH	MH

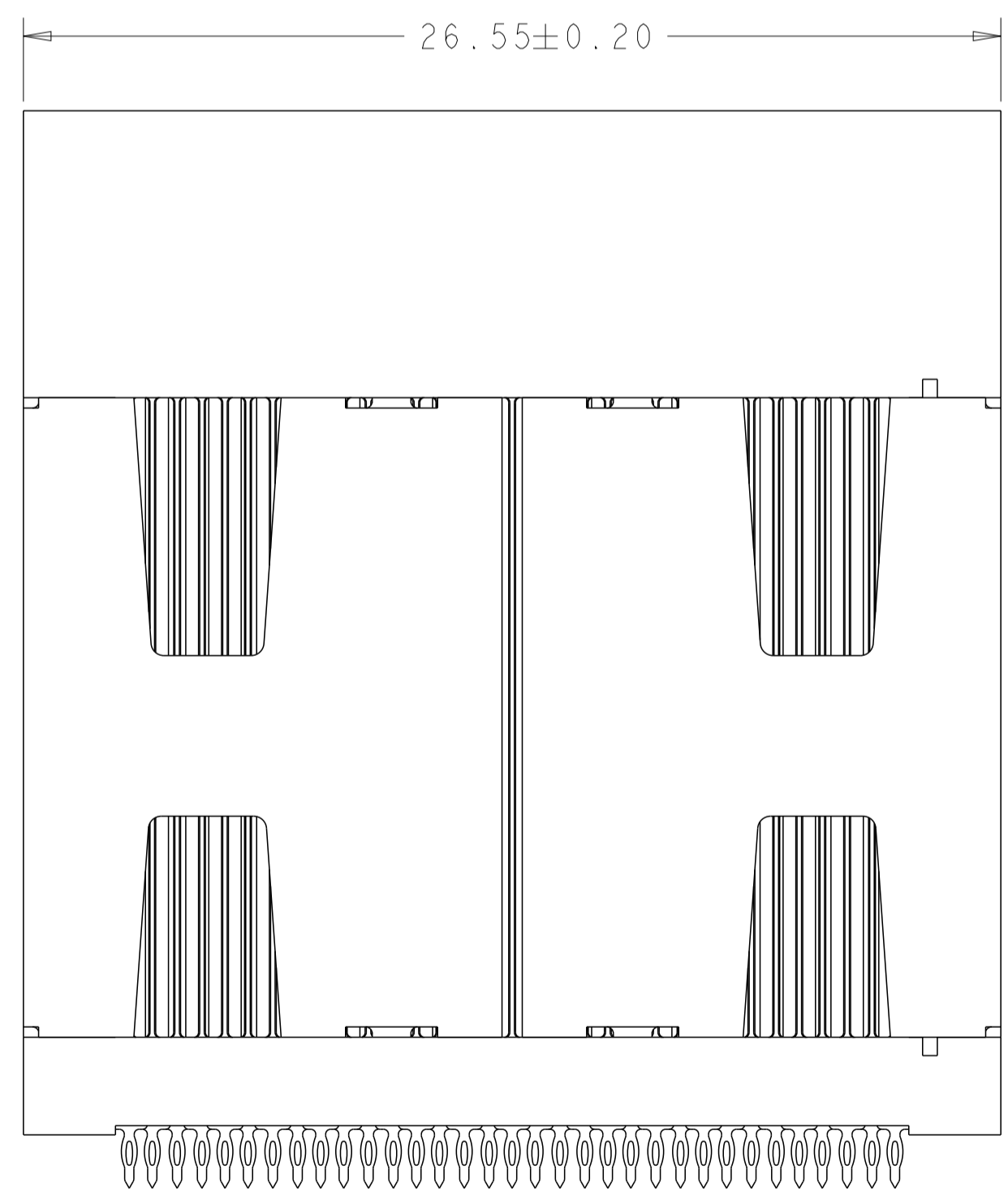
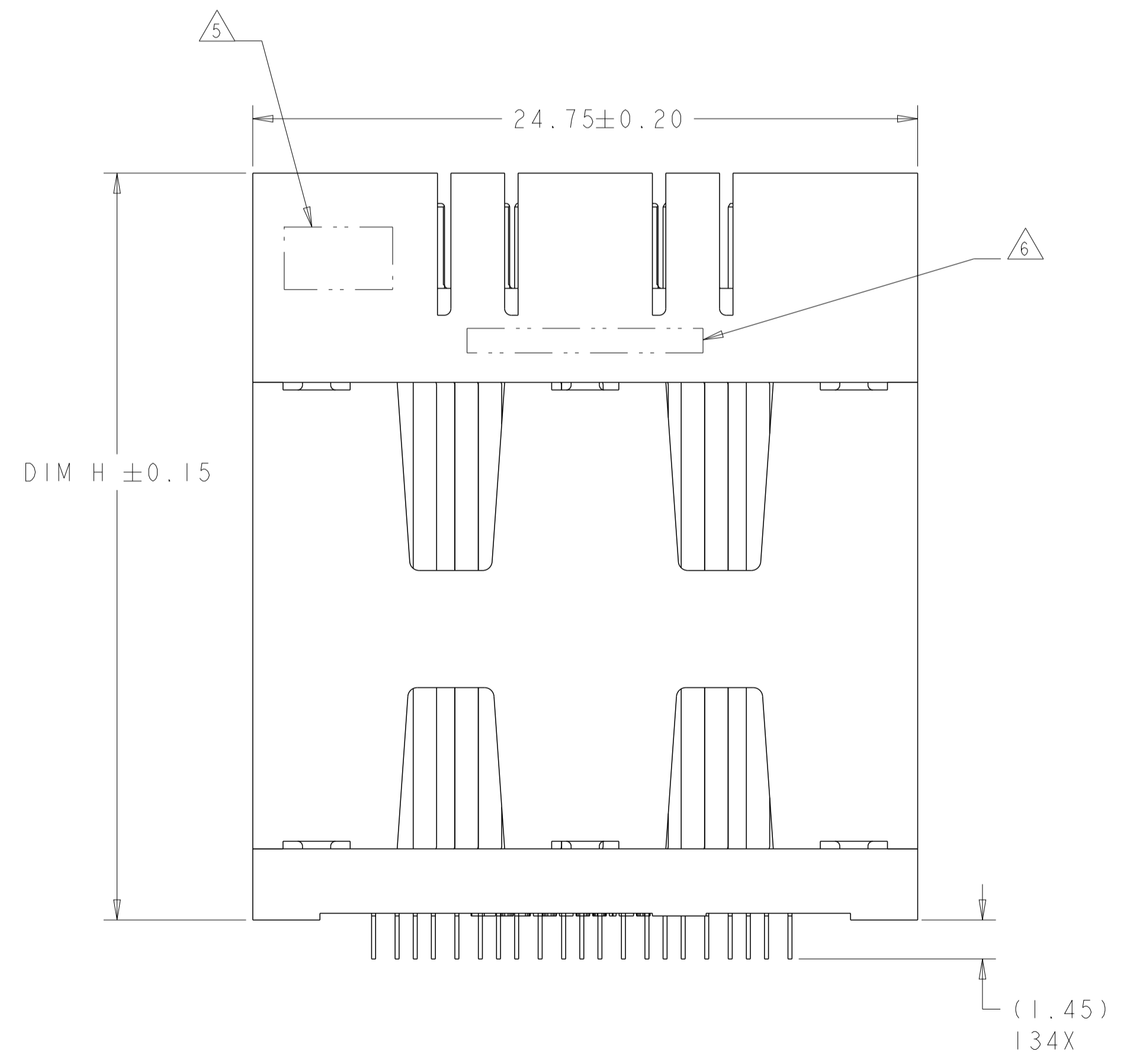


ISOMETRIC VIEWS
 TYPICAL CONFIGURATION FOR 14mm THRU 42mm
 28mm SHOWN
 SCALE 2:1



ISOMETRIC VIEWS
 TYPICAL CONFIGURATION FOR 8mm THRU 13mm
 8mm SHOWN
 SCALE 2:1

- 1 MATERIAL:
 BASE HOUSING, UPPER HOUSING, ORGANIZER,
 AND SPACER: THERMOPLASTIC, FLAMMABILITY
 RATING UL94-V0
 CONTACT: COPPER ALLOY
- 2. CONFORMS TO THE REQUIREMENTS OF TE PRODUCT
 SPECIFICATION, 108-2375; BASED ON TELCORDIA
 GR-1217-CORE FOR SYSTEM QUALITY LEVEL III,
 APPLICATIONS IN CONTROLLED ENVIRONMENTS
 (CENTRAL OFFICE).
 SEE TE PRODUCT SPECIFICATION 108-2375 FOR
 TEST SEQUENCES.
- 3 ROWS GA THRU GJ (SHOWN DARKENED) ARE TYPICALLY
 USED AS GROUNDS.
- 4 SPECIFIED POSITIONAL TOLERANCE DEFINES HOLE TO
 HOLE LOCATION WITHIN HOLE PATTERN. POSITIONAL
 TOLERANCE OF HOLE PATTERN TO FIDUCIAL MARKS
 OR PCB DATUMS SHALL BE DEFINED BY CUSTOMER.
- 5 AREA RESERVED FOR TE CONNECTIVITY LOGO.
- 6 AREA RESERVED FOR PART NUMBER (X-XXXXXX-X)
 AND DATE CODE (YYWW).
- 7 USE CENTERLINES INDICATED ON PCB HOLE PATTERN
 TO ESTABLISH ALIGNMENT BETWEEN HEADER AND
 RECEPTACLE BOARDS.
- 8 PLATED THROUGH HOLE REQUIREMENTS:
 HOLE SIZE PRIOR TO PLATING = $\varnothing 0.420 \pm 0.013$
 COPPER PLATING THICKNESS = 0.038 ± 0.013
 CALCULATED FINISHED HOLE SIZE = $\varnothing 0.344 \pm 0.039$
 THESE DIMENSIONS APPLY TO THE TOP 1.25mm OF
 THE PCB THICKNESS FROM THE CONNECTOR MOUNTING
 SIDE.
- 9 CONTACT SALES FOR AVAILABILITY OF THIS STACK
 HEIGHT.



SIZE 1 HOUSING *
40 DIFFERENTIAL PAIRS
134 TOTAL SIGNAL CONTACTS

* SIZE 2 AND SIZE 3 ARE ALSO AVAILABLE


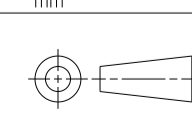
THIS DRAWING IS A CONTROLLED DOCUMENT.		DWN D. RINGLER 14FEB2009	TE Connectivity
DIMENSIONS:		CHK D. TROUT 14FEB2009	
mm	TOLERANCES UNLESS OTHERWISE SPECIFIED:	APVD J. FEEDER 14FEB2009	NAME HEADER ASSEMBLY
0 PLC ±	1 PLC ±	PRODUCT SPEC	40/134 SIGNAL
2 PLC ±0.13	3 PLC ±0.013	APPLICATION SPEC	STRADA MESA MEZZANINE CONNECTOR
4 PLC ±	ANGLES ±1	SIZE CAGE CODE DRAWING NO	RESTRICTED TO
MATERIAL	FINISH	WEIGHT	A100779C=2110320
Customer Drawing		SCALE 6:1	SHEET 1 OF 4 REV A

THIS DRAWING IS UNPUBLISHED. RELEASED FOR PUBLICATION 20
 © COPYRIGHT 20 BY - ALL RIGHTS RESERVED.

LOC	DIST	REVISIONS			
P	LYN	DESCRIPTION	DATE	OWN	APVD
-	-	SEE SHEET 1	-	-	-

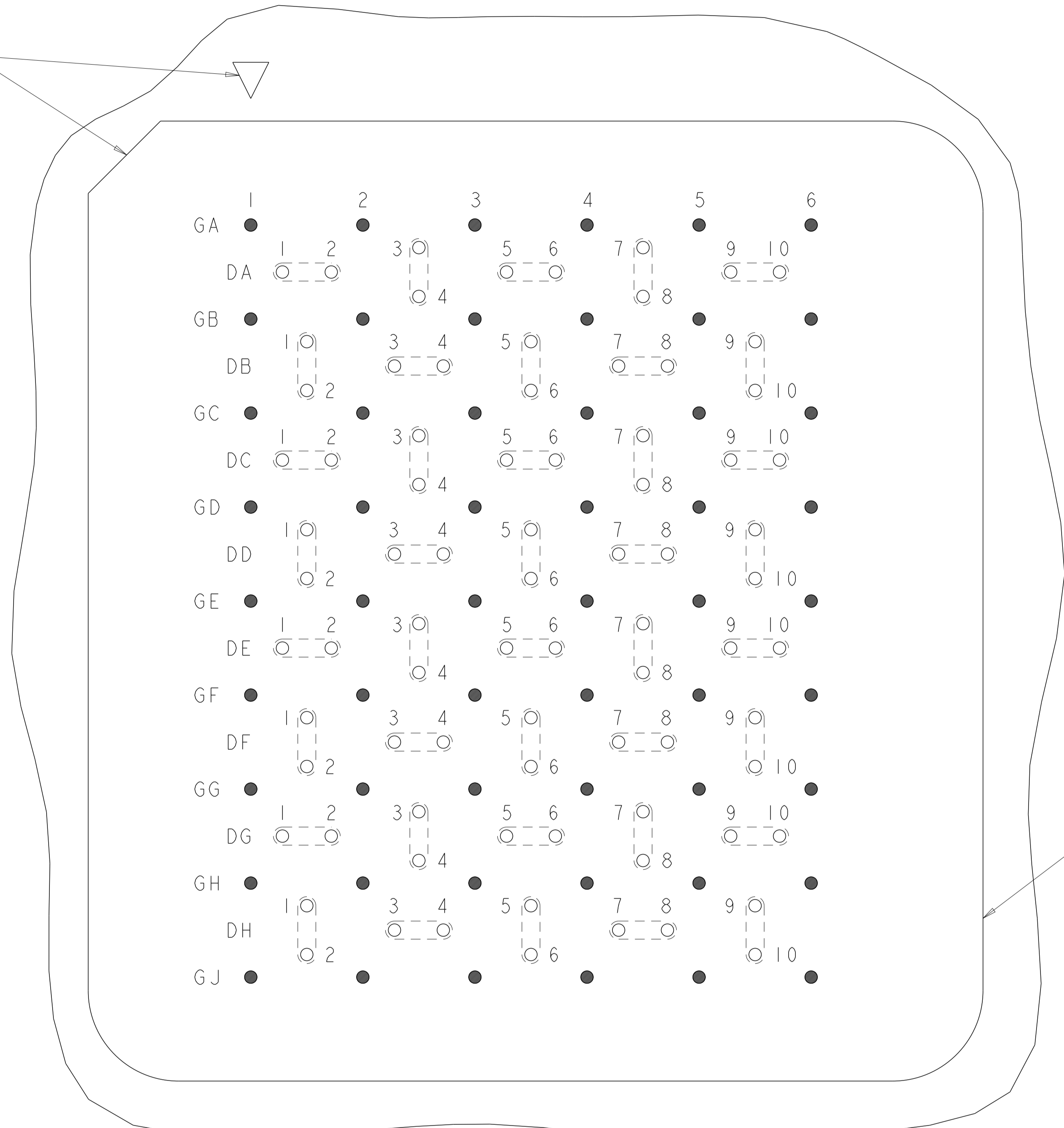
△	41.8	42mm	MATTE Sn	9-2110320-2
△	40.8	41mm	MATTE Sn	9-2110320-1
△	39.8	40mm	MATTE Sn	9-2110320-0
△	38.8	39mm	MATTE Sn	8-2110320-9
△	37.8	38mm	MATTE Sn	8-2110320-8
△	36.8	37mm	MATTE Sn	8-2110320-7
△	35.8	36mm	MATTE Sn	8-2110320-6
△	34.8	35mm	MATTE Sn	8-2110320-5
△	33.8	34mm	MATTE Sn	8-2110320-4
△	32.8	33mm	MATTE Sn	8-2110320-3
△	31.8	32mm	MATTE Sn	8-2110320-2
△	30.8	31mm	MATTE Sn	8-2110320-1
△	29.8	30mm	MATTE Sn	8-2110320-0
△	28.8	29mm	MATTE Sn	7-2110320-9
△	27.8	28mm	MATTE Sn	7-2110320-8
△	26.8	27mm	MATTE Sn	7-2110320-7
△	25.8	26mm	MATTE Sn	7-2110320-6
△	24.8	25mm	MATTE Sn	7-2110320-5
△	23.8	24mm	MATTE Sn	7-2110320-4
△	22.8	23mm	MATTE Sn	7-2110320-3
△	21.8	22mm	MATTE Sn	7-2110320-2
△	20.8	21mm	MATTE Sn	7-2110320-1
△	19.8	20mm	MATTE Sn	7-2110320-0
△	18.8	19mm	MATTE Sn	6-2110320-9
△	17.8	18mm	MATTE Sn	6-2110320-8
△	16.8	17mm	MATTE Sn	6-2110320-7
△	15.8	16mm	MATTE Sn	6-2110320-6
△	14.8	15mm	MATTE Sn	6-2110320-5
△	13.8	14mm	MATTE Sn	6-2110320-4
△	12.8	13mm	MATTE Sn	6-2110320-3
△	11.8	12mm	MATTE Sn	6-2110320-2
△	10.8	11mm	MATTE Sn	6-2110320-1
△	9.8	10mm	MATTE Sn	6-2110320-0
YES	8.8	9mm	MATTE Sn	5-2110320-9
YES	7.8	8mm	MATTE Sn	5-2110320-8
TOOLED	DIM H	STACK HEIGHT	CONTACT TAIL PLATING	PART NUMBER

△	41.8	42mm	Sn/Pb	4-2110320-2
△	40.8	41mm	Sn/Pb	4-2110320-1
△	39.8	40mm	Sn/Pb	4-2110320-0
△	38.8	39mm	Sn/Pb	3-2110320-9
△	37.8	38mm	Sn/Pb	3-2110320-8
△	36.8	37mm	Sn/Pb	3-2110320-7
△	35.8	36mm	Sn/Pb	3-2110320-6
△	34.8	35mm	Sn/Pb	3-2110320-5
△	33.8	34mm	Sn/Pb	3-2110320-4
△	32.8	33mm	Sn/Pb	3-2110320-3
△	31.8	32mm	Sn/Pb	3-2110320-2
△	30.8	31mm	Sn/Pb	3-2110320-1
△	29.8	30mm	Sn/Pb	3-2110320-0
△	28.8	29mm	Sn/Pb	2-2110320-9
△	27.8	28mm	Sn/Pb	2-2110320-8
△	26.8	27mm	Sn/Pb	2-2110320-7
△	25.8	26mm	Sn/Pb	2-2110320-6
△	24.8	25mm	Sn/Pb	2-2110320-5
△	23.8	24mm	Sn/Pb	2-2110320-4
△	22.8	23mm	Sn/Pb	2-2110320-3
△	21.8	22mm	Sn/Pb	2-2110320-2
△	20.8	21mm	Sn/Pb	2-2110320-1
△	19.8	20mm	Sn/Pb	2-2110320-0
△	18.8	19mm	Sn/Pb	1-2110320-9
△	17.8	18mm	Sn/Pb	1-2110320-8
△	16.8	17mm	Sn/Pb	1-2110320-7
△	15.8	16mm	Sn/Pb	1-2110320-6
△	14.8	15mm	Sn/Pb	1-2110320-5
△	13.8	14mm	Sn/Pb	1-2110320-4
△	12.8	13mm	Sn/Pb	1-2110320-3
△	11.8	12mm	Sn/Pb	1-2110320-2
△	10.8	11mm	Sn/Pb	1-2110320-1
△	9.8	10mm	Sn/Pb	1-2110320-0
YES	8.8	9mm	Sn/Pb	2110320-9
YES	7.8	8mm	Sn/Pb	2110320-8
TOOLED	DIM H	STACK HEIGHT	CONTACT TAIL PLATING	PART NUMBER

THIS DRAWING IS A CONTROLLED DOCUMENT.		OWN D. RINGLER 14FEB2009	 TE Connectivity
DIMENSIONS: mm		CHK D. TROUT 14FEB2009	
TOLERANCES UNLESS OTHERWISE SPECIFIED:		APVD J. FEEDER 14FEB2009	NAME HEADER ASSEMBLY 40/134 SIGNAL STRADA MESA MEZZANINE CONNECTOR
		PRODUCT SPEC 108-2375	SIZE A1
MATERIAL		APPLICATION SPEC 114-13249	CAGE CODE DRAWING NO 00779C=2110320
FINISH		WEIGHT	RESTRICTED TO
Customer Drawing		SCALE 6:1	SHEET 2 OF 4 REV A


LOC	DIST	REVISIONS					
GP	00	P	LTN	DESCRIPTION	DATE	DWN	APVD
		-		SEE SHEET 1			

AI CORNER INDICATORS.

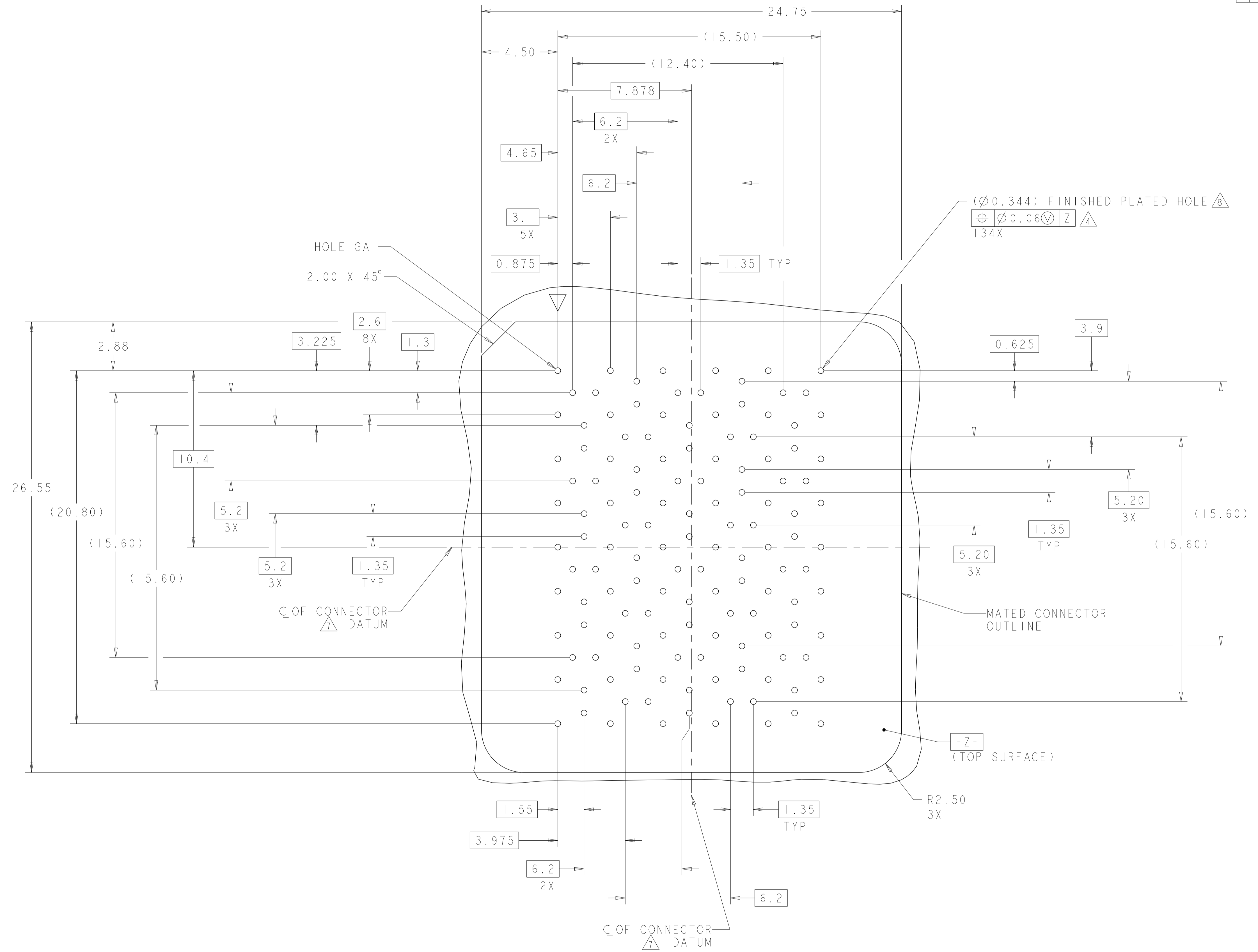


MATED CONNECTOR OUTLINE
 SEE SHEET 4 FOR LOCATION TO HOLES

PCB LAYOUT AND PIN IDENTIFICATION 
 SHOWN FROM CONNECTOR SIDE
 SCALE 12:1

THIS DRAWING IS A CONTROLLED DOCUMENT.		DWN D. RINGLER 14FEB2009	 TE Connectivity												
DIMENSIONS: mm		CHK D. TROUT 14FEB2009													
TOLERANCES UNLESS OTHERWISE SPECIFIED:		APVD J. FEEDER 14FEB2009	NAME HEADER ASSEMBLY 40/134 SIGNAL STRADA MESA MEZZANINE CONNECTOR												
<table border="1"> <tr> <td>0 PLC</td> <td>±</td> </tr> <tr> <td>2 PLC</td> <td>±0.13</td> </tr> <tr> <td>3 PLC</td> <td>±0.013</td> </tr> <tr> <td>4 PLC</td> <td>±</td> </tr> <tr> <td>ANGLES</td> <td>±1</td> </tr> <tr> <td>FINISH</td> <td></td> </tr> </table>		0 PLC	±	2 PLC	±0.13	3 PLC	±0.013	4 PLC	±	ANGLES	±1	FINISH		PRODUCT SPEC 108-2375	SIZE A100779
0 PLC	±														
2 PLC	±0.13														
3 PLC	±0.013														
4 PLC	±														
ANGLES	±1														
FINISH															
MATERIAL		APPLICATION SPEC 114-13249	DRAWING NO C=2110320												
		WEIGHT	RESTRICTED TO												
		Customer Drawing	SCALE 6:1 SHEET 3 OF 4 REV A												

LOC		DIST		REVISIONS			
P	LYR	DESCRIPTION	DATE	OWN	APVD		
-	-	SEE SHEET 1	-	-	-		



PCB HOLE PATTERN
 SHOWN FROM CONNECTOR SIDE
 SCALE 8:1

THIS DRAWING IS A CONTROLLED DOCUMENT.		OWN: D. RINGLER 14FEB2009	TE Connectivity
DIMENSIONS: mm		CHK: D. TROUT 14FEB2009	
TOLERANCES UNLESS OTHERWISE SPECIFIED: 0 PLC ± 1 PLC ± 2 PLC ±0.13 3 PLC ±0.013 4 PLC ± ANGLES ±1		APVD: J. FEEDER 14FEB2009	
MATERIAL: -		NAME: HEADER ASSEMBLY 40/134 SIGNAL STRADA MESA MEZZANINE CONNECTOR	
WEIGHT: - FINISH: -		PRODUCT SPEC: 108-2375	RESTRICTED TO: -
Customer Drawing		APPLICATION SPEC: 114-13249	SIZE: A
SCALE: 6:1		WEIGHT: -	CAGE CODE: 100779
SHEET: 4 OF 4		DRAWING NO: 2110320	REV: A

单击下面可查看定价，库存，交付和生命周期等信息

[>>TE Connectivity\(泰科\)](#)