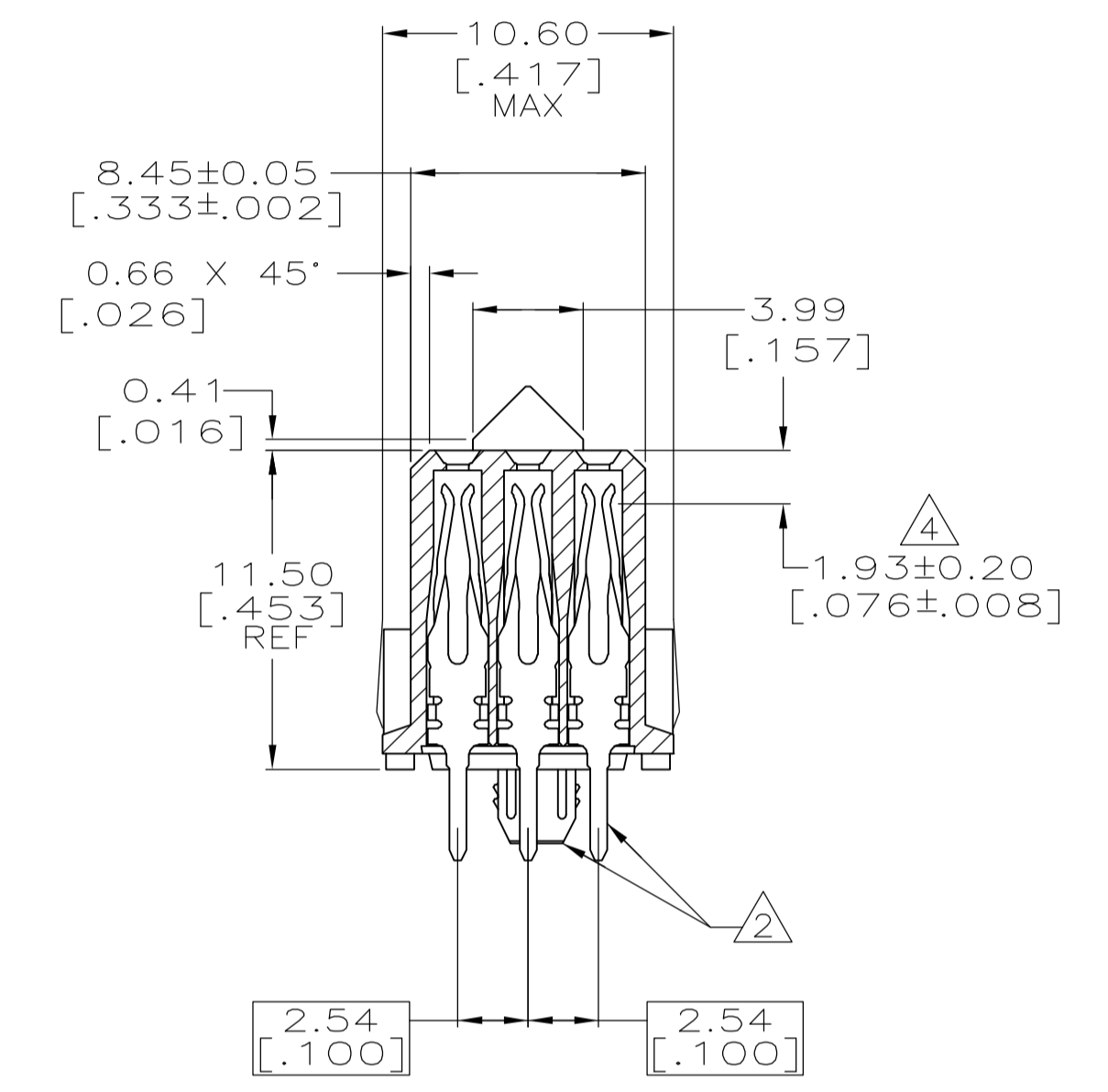


- △ HOUSING: GLASS-FILLED POLYMER.
CONTACT: COPPER ALLOY.
BOARDLOCK: COPPER ALLOY.
- △ CONTACT: DIN 41612 CLASS 2 IN CONTACT AREA,
TIN PLATE ON POSTS.
BOARDLOCK: TIN PLATE
- △ PART NUMBER, DATE CODE IDENTIFICATION, CSA LOGO THIS APPROXIMATE AREA.
- △ CONTACT POINT.
- △ RECOMMENDED HOLE SIZE FOR MANUAL APPLICATION OF CONNECTOR ONTO PC BOARD.



SECTION X-X

5148542-5
PART NUMBER

THIS DRAWING IS A CONTROLLED DOCUMENT.		DWG J. POLIGNONE 27MAY05	Tyco Electronics Corporation Harrisburg, PA 17105-3608
DIMENSIONS: mm [INCHES]		CHK A. SHARPE 27MAY05	
TOLERANCES UNLESS OTHERWISE SPECIFIED:		APPV A. SHARPE 27MAY05	NAME ASSY, RECEPTACLE, EUROCARD, TYPE C, 120 POSN, 3.30[.130] SOLDER POSTS, GUIDE FEATURES, REVERSE POLARIZATION, BOARDLOCKS
0 PLC ± -	1 PLC ± -	PRODUCT SPEC	APPLICATION SPEC
2 PLC ± 0.13 [.005]	3 PLC ± -	SIZE	CAGE CODE DRAWING NO
4 PLC ± -	ANGLES ± -	WEIGHT	A1 00779 C=5148542
MATERIAL △	FINISH △	CUSTOMER DRAWING	SCALE 4:1 SHEET 1 OF 1 REV 0

单击下面可查看定价，库存，交付和生命周期等信息

[>>TE Connectivity\(泰科\)](#)