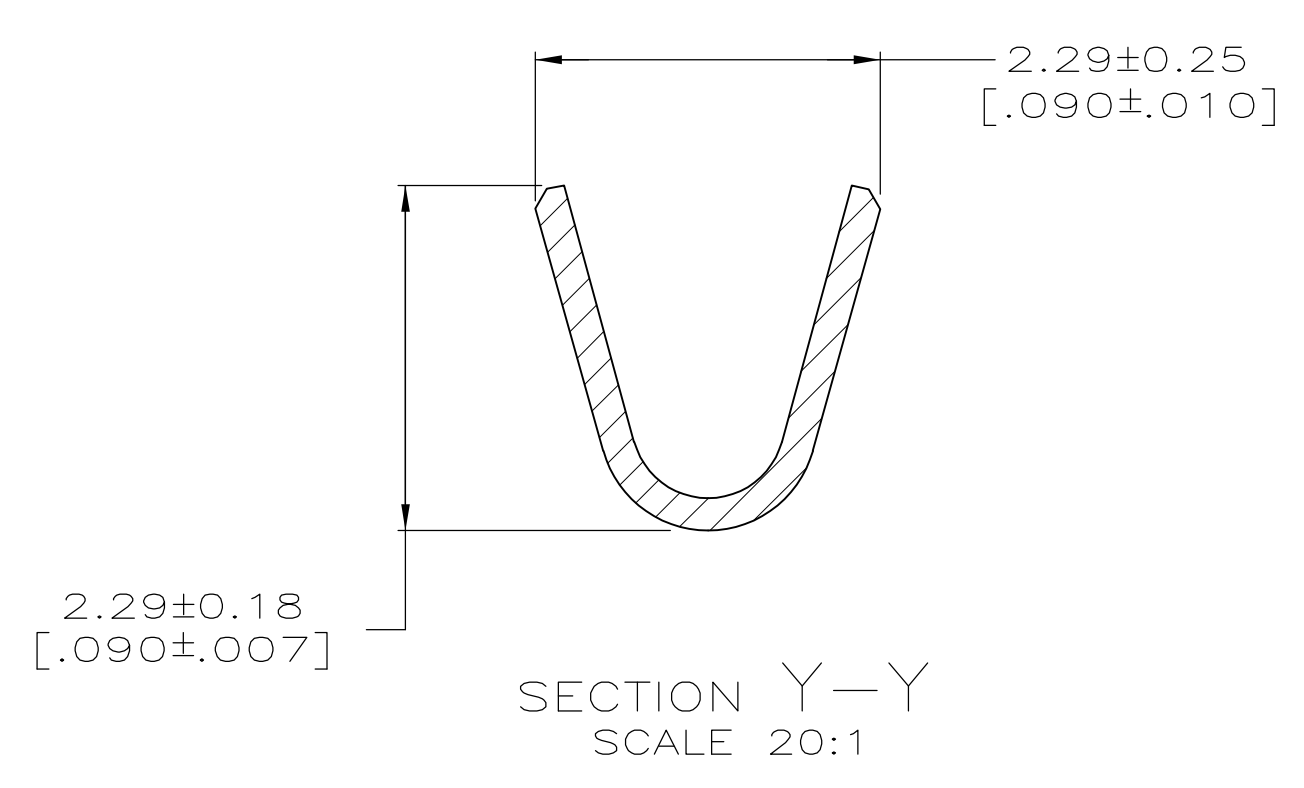
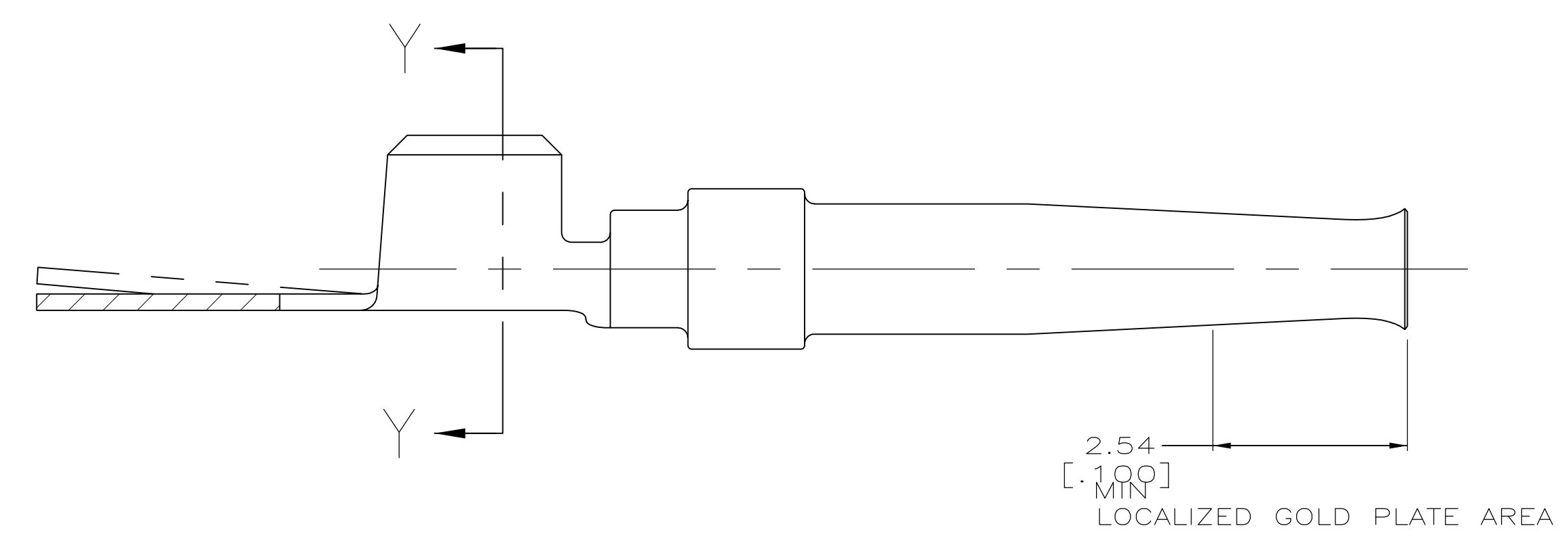


- 1. FOR MINI-APPLICATOR.
- 2. MAX. INSULATION DIAMETER ALLOWABLE FOR EXTRACTING CONTACT FROM CONNECTOR WITH 91067-2 TOOL IS 1.73 [.068].
- 3. GOLD FLASH ON INSIDE OF LOCALIZED GOLD PLATE AREA, 2.54μm [.000100] TIN PLATED ON CRIMP BARRELS, ALL OVER 0.76μm [.000030] NICKEL UNDERPLATE.
- 4. PLATED WITH 0.76μm [.000030] GOLD ON INSIDE OF LOCALIZED GOLD PLATE AREA, 2.54μm [.000100] TIN ON CRIMP BARRELS, ALL OVER 1.27μm [.000050] NICKEL UNDERPLATE.  
-OR-  
GOLD FLASH OVER PALLADIUM-NICKEL 0.76μm [.000030] TOTAL ON INSIDE OF LOCALIZED GOLD PLATE AREA, 2.54μm [.000100] TIN ON CRIMP BARRELS, ALL OVER 1.27μm [.000050] NICKEL UNDERPLATE.



4	1658542-2
3	1658542-1
FINISH	PART NUMBER 1

THIS DRAWING IS A CONTROLLED DOCUMENT.		DWN R. SAMICK	14AUG03	Tyco Electronics Corporation Harrisburg, PA 17105-3608	
DIMENSIONS: mm [INCHES]		CHK S. BOLASH	14AUG03	Tyco Electronics	
TOLERANCES UNLESS OTHERWISE SPECIFIED:		APPD M. WALMSLEY	14AUG03	NAME CONTACT, SOCKET,	
0. PLC ± -		PRODUCT SPEC		-	
1. PLC ± -		APPLICATION SPEC		108-40005	
2. PLC ± 0.13 [.005]		SIZE		20 DF, 18-22 AWG, AMPLIMITE	
3. PLC ± -		CAGE CODE		DRAWING NO	
4. PLC ± -		WEIGHT		A1 00779 ©=1658542	
ANGLES ± -		CUSTOMER DRAWING		SCALE 15:1 SHEET 1 OF 1 REV D	
FINISH SEE TABLE					

单击下面可查看定价，库存，交付和生命周期等信息

[>>TE Connectivity\(泰科\)](#)