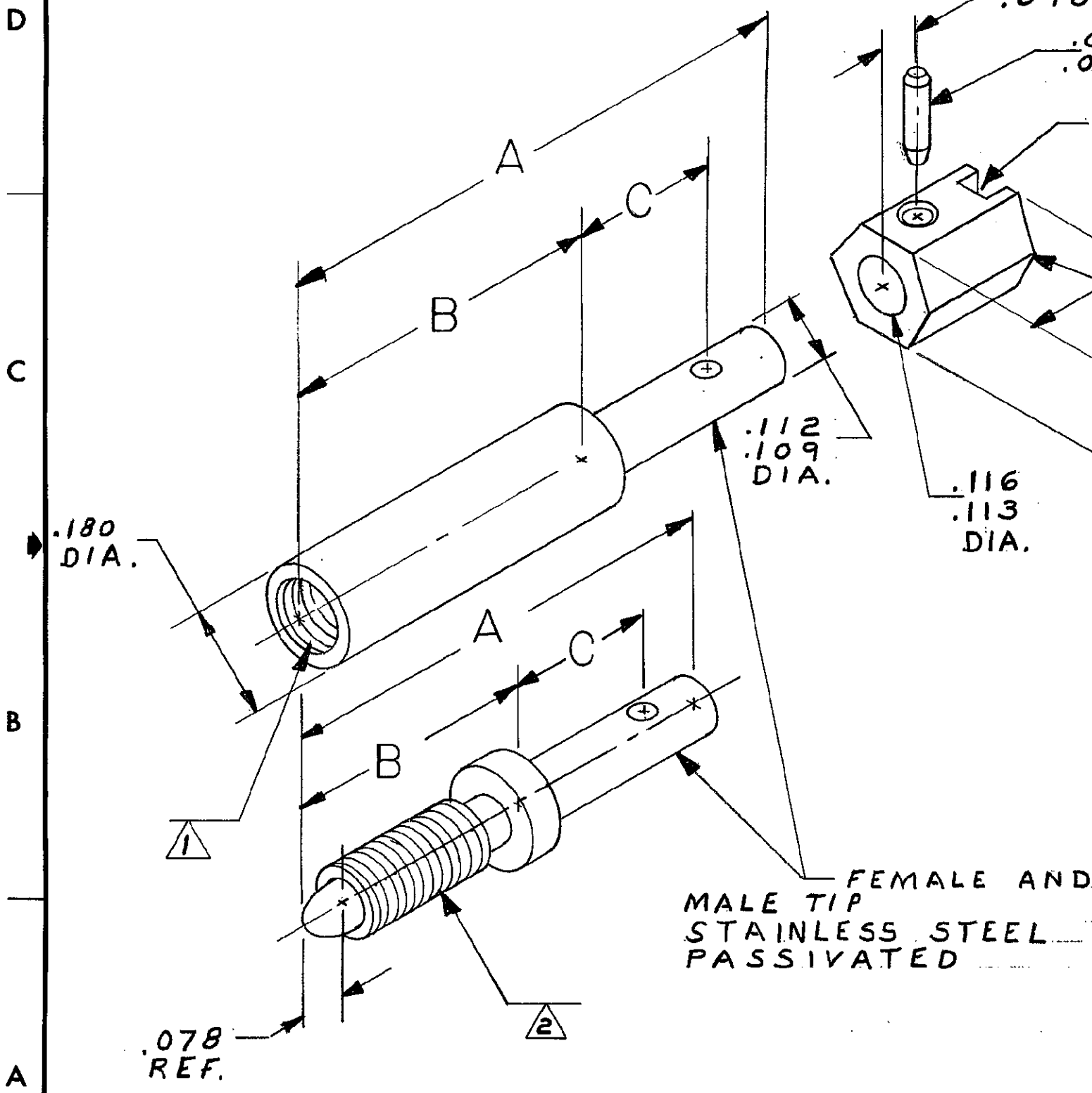


© COPYRIGHT 19 BY AMP INCORPORATED, HARRISBURG, PA.
ALL INTERNATIONAL RIGHTS RESERVED. AMP INCORPORATED PRODUCTS
COVERED BY U. S. AND FOREIGN PATENTS AND/OR PATENTS PENDING.

REVISIONS						
P	F	ZONE	LTR	DESCRIPTION	DATE	APPROVED
			0	RELEASED WAS 5085-1028	5-16	EAM
			A	REV. PER ECN AB 0544	10-3-84	EAM
			B	REV PER 0600-5354-96 58	10/96	JAM
			C	REV 0600-5641-96	9-97	SM



.078
.052 DIA. X .187 ± .015
.049 SPIROL PIN
SCREW DRIVER SLOT
.250
JACKSCREW BODY
STAINLESS STEEL PASSIVATED.

.187 ACROSS FLATS.

- ①. SOCKET .375 DEEP, #6-32 UNC-2B DOUBLE THREAD, DOUBLE LEAD.
- ②. MALE TIP, .410 LONG, #6-32 UNC-2A DOUBLE THREAD, DOUBLE LEAD.

FEMALE AND MALE TIP
STAINLESS STEEL
PASSIVATED

JACKSCREW: FEMALE	.365	.620	1.107	533177-2
JACKSCREW: MALE	.365	.465	.94	533177-1
DESCRIPTION	C	B	A	OBSOLETE

UNLESS OTHERWISE SPECIFIED DIMENSIONS ARE IN INCHES. TOLERANCES ON: DECIMALS ± .010 ANGLES ±	CONTRACT NO	AMP INCORPORATED Harrisburg, Pa.
	DR <i>M. Smith</i> 1-25-84 CHK <i>E.A. Mc Dowell</i> 1-25-84 APPD <i>E.R. Mc Dowell</i> 1-25-84 APPD <i>E.F. Parsons</i> 1-31-84	
MATERIAL	DSGN APPD	SIZE B
FINISH	OTHER APPD	CODE IDENT NO 00779
		DRAWING NO. 53317-7
		SCALE 4-1
		SHEET #

单击下面可查看定价，库存，交付和生命周期等信息

[>>TE Connectivity\(泰科\)](#)