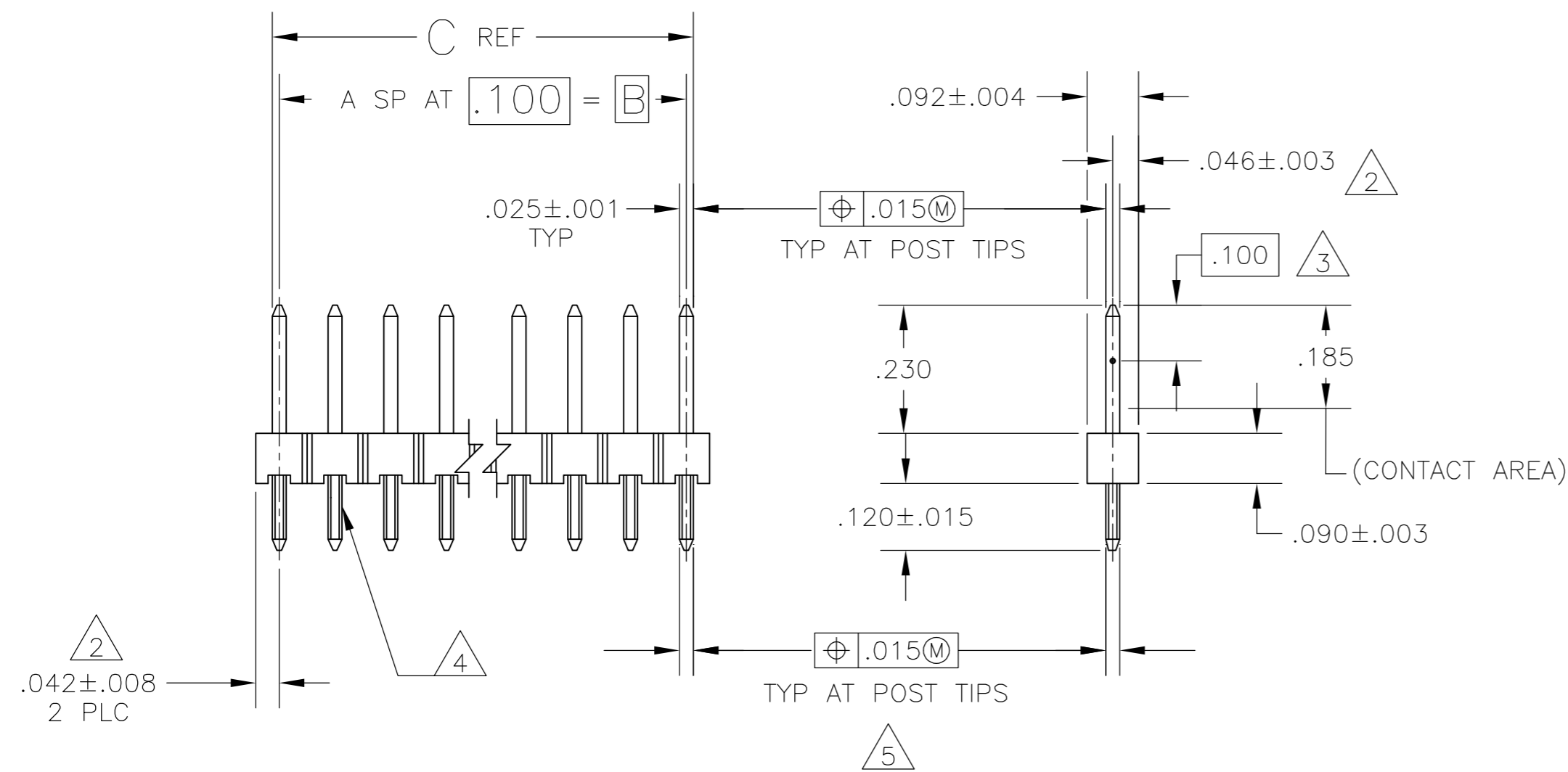
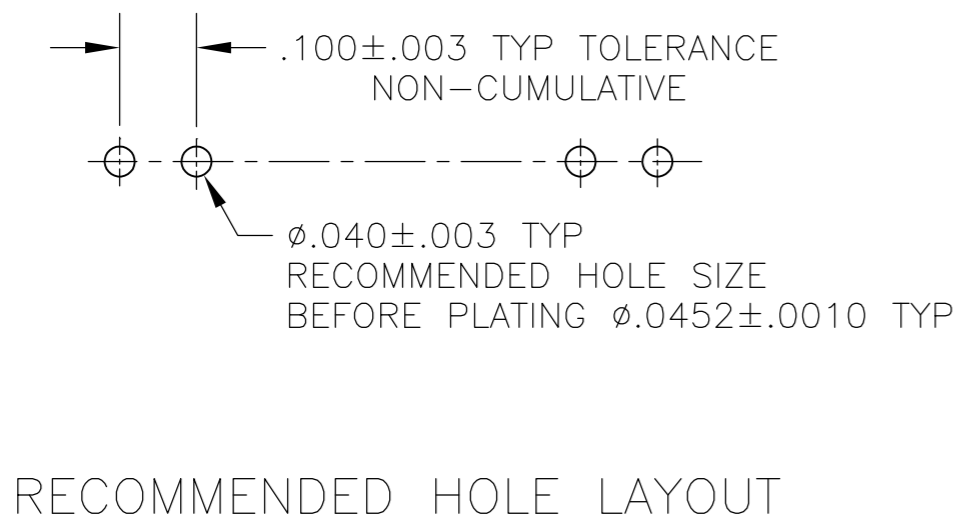


THIS DRAWING IS UNPUBLISHED. RELEASED FOR PUBLICATION
 © COPYRIGHT - By - ALL RIGHTS RESERVED.

| LOC | DIST | REVISIONS | | | | | |
|-----|------|-----------|-----|---------------------------|-----------|-----|------|
| AD | 00 | P | LTR | DESCRIPTION | DATE | DWN | APVD |
| | | K | | REVISED PER ECO-14-000066 | 01JUL2014 | NK | MM |



- 1 TRUE POSITION TOLERANCE OF THE POST TIPS APPLIES WHEN THE HEADERS ARE HELD FLAT AGAINST THE PRINTED CIRCUIT BOARD.
- 2 THE NOTED DIMENSIONS APPLY AT THE INTERSECTION OF THE POST AND THE HOUSING.
- 3 POINT OF MEASUREMENT FOR PLATING THICKNESS.
- 4 RETENTION FEATURES ON SOLDER TAILS, LOCATED AT MANUFACTURERS OPTION.
- 5 $\varnothing .020\text{M}$ FOR KINKED TAILS.
- 6 OBSOLETE PARTS: OBSOLETE CIS STREAMLINING PER D.RENAUD/D.SINISI



RECOMMENDED HOLE LAYOUT

| | C | B | A | NO OF POSN | ASSEMBLY PART NUMBER |
|---------------|-------|-------|----|------------|----------------------|
| OBSOLETE 6 | 3.984 | 3.900 | 39 | 40 | 2-104345-7 |
| | 3.484 | 3.400 | 34 | 35 | 2-104345-6 |
| | 2.984 | 2.900 | 29 | 30 | 2-104345-5 |
| | 2.584 | 2.500 | 25 | 26 | 2-104345-4 |
| | 2.484 | 2.400 | 24 | 25 | 2-104345-3 |
| | 2.384 | 2.300 | 23 | 24 | 2-104345-2 |
| | 2.284 | 2.200 | 22 | 23 | 2-104345-1 |
| | 2.184 | 2.100 | 21 | 22 | 2-104345-0 |
| | 2.084 | 2.000 | 20 | 21 | 1-104345-9 |
| | 1.984 | 1.900 | 19 | 20 | 1-104345-8 |
| OBSOLETE 6 | 1.884 | 1.800 | 18 | 19 | 1-104345-7 |
| | 1.784 | 1.700 | 17 | 18 | 1-104345-6 |
| | 1.684 | 1.600 | 16 | 17 | 1-104345-5 |
| | 1.584 | 1.500 | 15 | 16 | 1-104345-4 |
| | 1.484 | 1.400 | 14 | 15 | 1-104345-3 |
| | 1.384 | 1.300 | 13 | 14 | 1-104345-2 |
| | 1.284 | 1.200 | 12 | 13 | 1-104345-1 |
| | 1.184 | 1.100 | 11 | 12 | 1-104345-0 |
| | 1.084 | 1.000 | 10 | 11 | 104345-9 |
| | .984 | .900 | 9 | 10 | 104345-8 |
| OBSOLETE 6 | .884 | .800 | 8 | 9 | 104345-7 |
| | .784 | .700 | 7 | 8 | 104345-6 |
| | .684 | .600 | 6 | 7 | 104345-5 |
| | .584 | .500 | 5 | 6 | 104345-4 |
| | .484 | .400 | 4 | 5 | 104345-3 |
| | .384 | .300 | 3 | 4 | 104345-2 |
| | .284 | .200 | 2 | 3 | 104345-1 |
| | C | B | A | NO OF POSN | ASSEMBLY PART NUMBER |

| | | | | |
|--|--|-----------------------------|--|--------------------|
| THIS DRAWING IS A CONTROLLED DOCUMENT. | | DWN H MOLL 08FEB88 | TE Connectivity | |
| DIMENSIONS: INCHES | | CHK R. FEIDT 08FEB88 | NAME | |
| TOLERANCES UNLESS OTHERWISE SPECIFIED: | | APVD R. FEIDT 08FEB88 | PRODUCT SPEC | |
| 0 PLC ± - 1 PLC ± - 2 PLC ± - 3 PLC ± .005 4 PLC ± - ANGLES ± - | | APPLICATION SPEC | HEADER ASSY, MOD II, BREAKAWAY, SINGLE ROW, .100 CL, VERT, .025 SQ POSTS, WITH RETENTION FEATURE | |
| MATERIAL HOUSING: FLAME RETARDANT THERMOPLASTIC COLOR-BLACK POST: COPPER ALLOY | | WEIGHT | SIZE A2 | CAGE CODE 00779 |
| FINISH - POST: .000015 GOLD IN CONTACT AREA, .000100-.000200 MATTE TIN-LEAD ON SOLDER TAIL, ALL OVER .000050 NICKEL. | | CUSTOMER DRAWING | DRAWING NO C=104345 | RESTRICTED TO |
| | | SCALE 4:1 | SHEET 1 of 1 | REV K |

单击下面可查看定价，库存，交付和生命周期等信息

[>>TE Connectivity\(泰科\)](#)