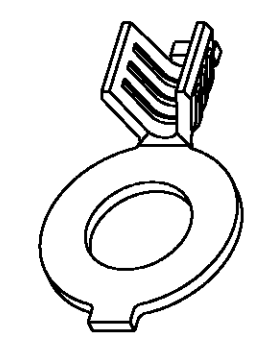
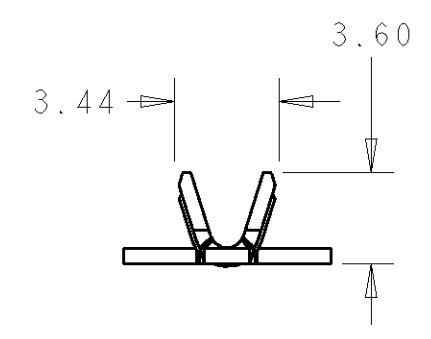
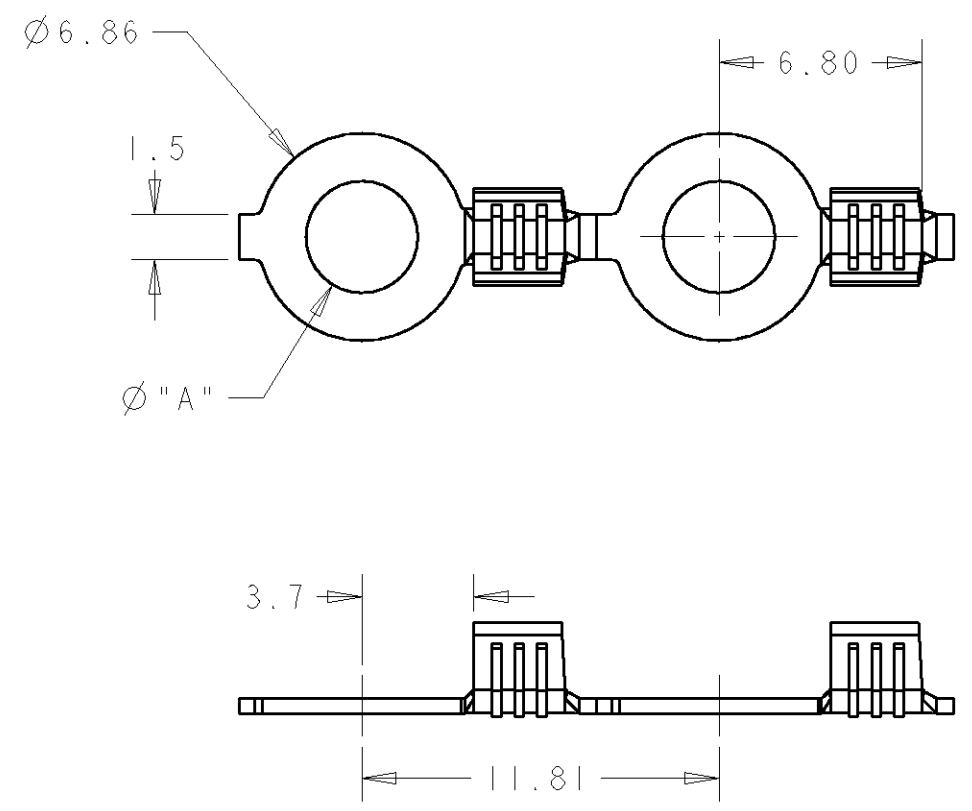


THIS DRAWING IS UNPUBLISHED. RELEASED FOR PUBLICATION 20
 © COPYRIGHT 20 BY TYCO ELECTRONICS CORPORATION. ALL RIGHTS RESERVED.

LOC	DIST	REVISIONS					
E	B	P	LTR	DESCRIPTION	DATE	DWN	APVD
			C	ECR-08-023397	14/09/08	MJG	JA
			C1	ECR-10-000003	25MAR10	RK	SRE



NOTES:

- 1 LUBRICATED
- 2 ELECTROPLATE SILVER
- 3 SPLICE FREE
- 4 ELECTROPLATE NICKEL
- 5 PAPER INTERLEAVE
- 6 REELED WITH WIRE BARREL LEGS DOWNWARDS
- 7 ELECTROPLATE TIN

8. WIRE RANGE 0.5 - 1.50mm (16-20 AWG)

	4.3	4.0mm	NICKEL	4	STEEL 100-021 T4	142535-2
	4.3	4.0mm	PLAIN	1	STEEL 100-021 T4	142535-1
OBSOLETE	3.68	3.5mm	SILVER	2	BRASS100-86 TI	140764
	4.3	4.0mm	TIN	7	BRASS100-86 TI	140636-1 3
	4.3	4.0mm	TIN	7	BRASS100-86 TI	140636 5
	4.3	4.0mm	PLAIN	1	BRASS100-86 TI	140635-1 6
	4.3	4.0mm	PLAIN	1	BRASS100-86 TI	140635
OBSOLETE	3.68	3.5mm	TIN	7	BRASS100-86 TI	140634
OBSOLETE	3.68	3.5mm	PLAIN	1	BRASS100-86 TI	140633
OBSOLETE	3.02	3.0mm	TIN	7	BRASS100-86 TI	140632
	3.02	3.0mm	PLAIN		BRASS100-86 TI	140631-1 6
OBSOLETE	3.02	3.0mm	PLAIN		BRASS100-86 TI	140631
	A DIA	STUD DIA	FINISH		MATERIAL	PART NO

<small>THIS DRAWING IS A CONTROLLED DOCUMENT FOR TYCO ELECTRONICS CORPORATION IT IS SUBJECT TO CHANGE AND THE CONTROLLING ENGINEERING ORGANIZATION SHOULD BE CONTACTED FOR THE LATEST REVISION.</small>		DWN M GREENER 14/09/08 CHK J AMBROSE 14/09/08 APVD J AMBROSE 14/09/08	Tyco Electronics Tyco Electronics Bideford, Devon England EX39 4HE
DIMENSIONS: mm 	TOLERANCES UNLESS OTHERWISE SPECIFIED: 0 PLC ±0.5 1 PLC ±0.5 2 PLC ±0.5 3 PLC ±0.5 4 PLC ± ANGLES ±2 FINISH SEE TABLE	PRODUCT SPEC APPLICATION SPEC 114-3118 WEIGHT	NAME RING TONGUE TERMINAL SIZE CAGE CODE DRAWING NO RESTRICTED TO A300779 C-140631
MATERIAL SEE TABLE	FINISH SEE TABLE	CUSTOMER DRAWING	SCALE NTS SHEET 1 OF 1 REV C1

单击下面可查看定价，库存，交付和生命周期等信息

[>>TE Connectivity\(泰科\)](#)