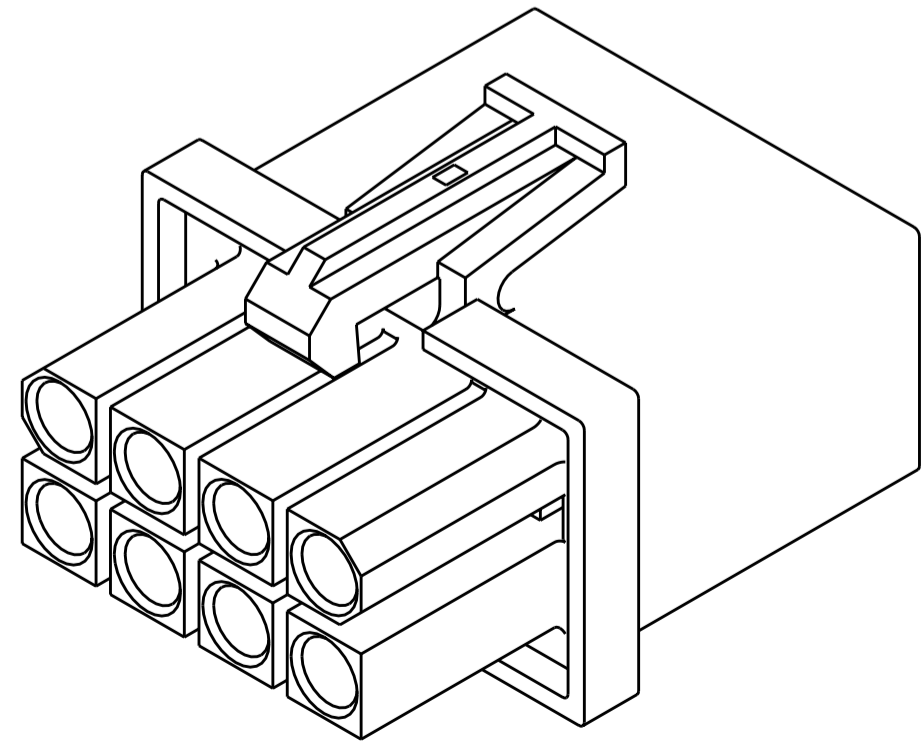
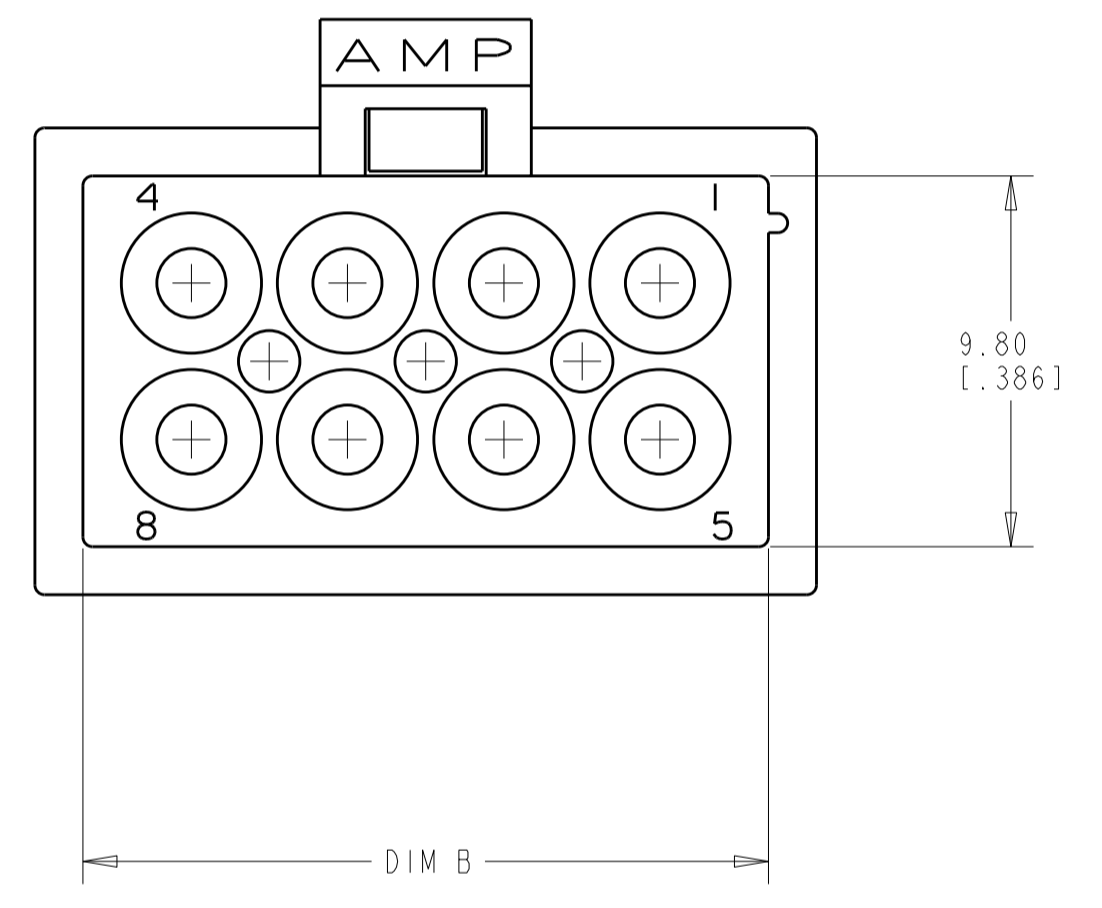
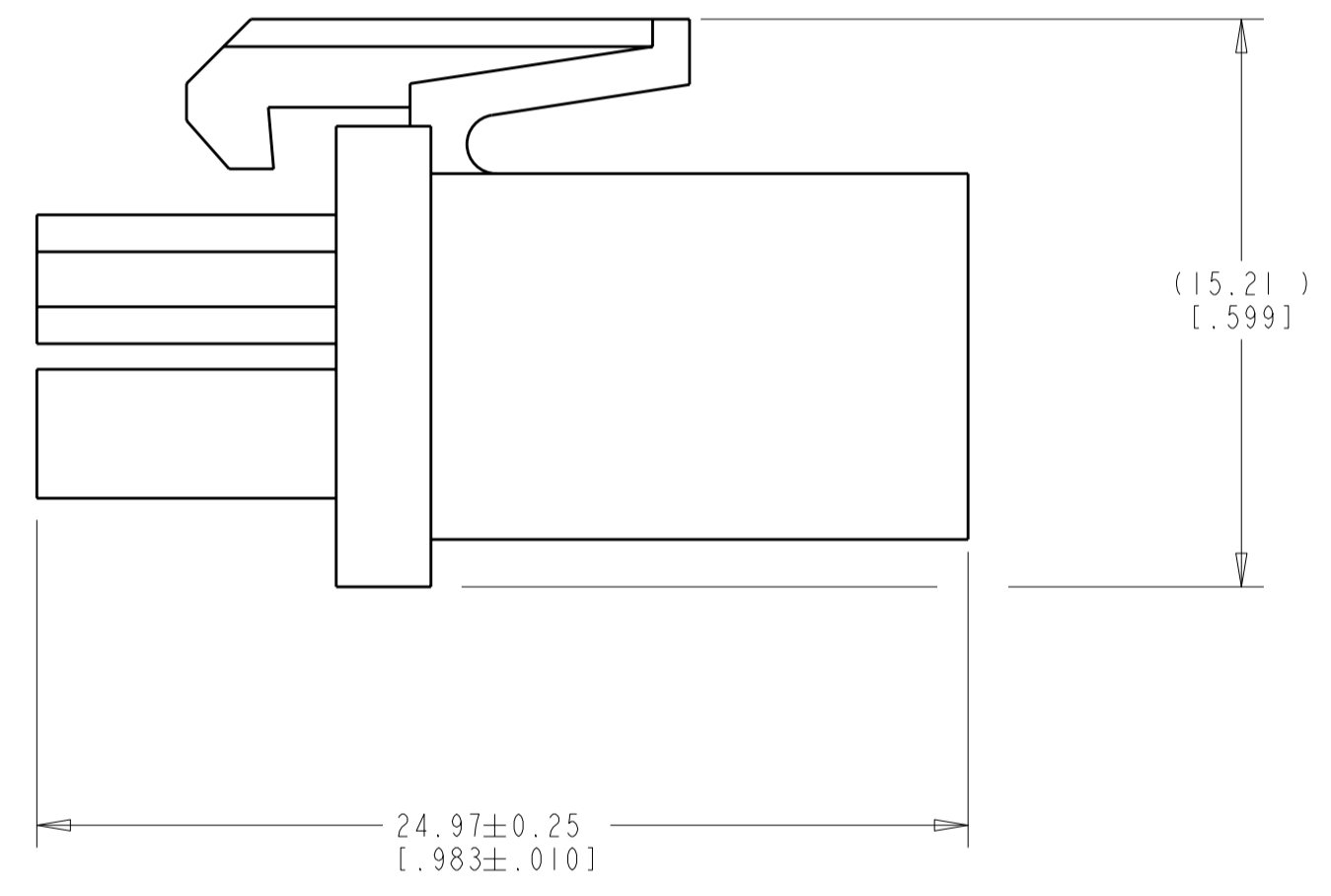
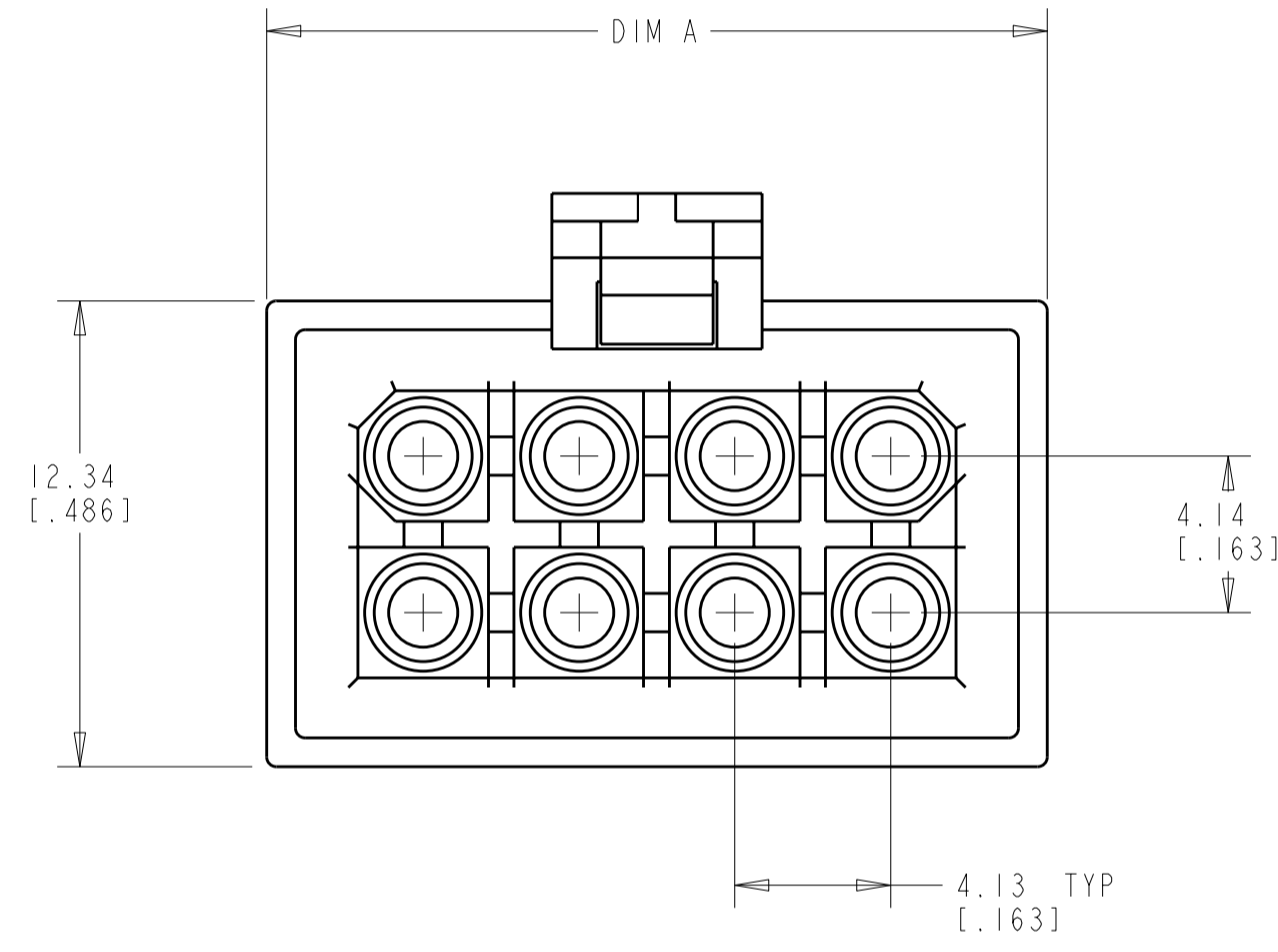


THIS DRAWING IS UNPUBLISHED. RELEASED FOR PUBLICATION 20
 © COPYRIGHT 20 BY TYCO ELECTRONICS CORPORATION. ALL RIGHTS RESERVED.

LOC	DIST	REVISIONS					
CM	00	P	LTR	DESCRIPTION	DATE	DWN	APVD
		A		RELEASED PER 0G3B-0447-04	18JUN04	KW	CJ
		B		REVISED PER ECO-05-014359	21APR06	KW	CJ

- DIMENSIONS IN BRACKETS ARE IN INCHES.
- HIGH TEMP NYLON, UL94V-2, BLACK.
- 150° C TEMPERATURE RATING FOR THIS HOUSING IS FOR SHORT DURATION ONLY. MAX OPERATING TEMPERATURE REMAINS 90° C WHEN USED WITH SEALS OR 105° C WHEN USED WITHOUT SEALS.



3 DIMENSIONAL MODEL
SCALE 4:1

1586406-8 SHOWN

22.22 [.877]	24.82 [.977]	10	1-1586406-0
18.14 [.714]	20.68 [.814]	8	1586406-8
14.00 [.551]	16.54 [.651]	6	1586406-6
9.80 [.386]	12.34 [.486]	4	1586406-4
5.59 [.220]	8.13 [.320]	2	1586406-2
DIM B	DIM A	CKTS	PART NUMBER

THIS DRAWING IS A CONTROLLED DOCUMENT FOR TYCO ELECTRONICS CORPORATION. IT IS SUBJECT TO CHANGE AND THE CONTROLLING ENGINEERING ORGANIZATION SHOULD BE CONTACTED FOR THE LATEST REVISION.		DWN K. WHITAKER 04MAY04	Tyco Electronics Harrisburg, PA 17105-3608	
DIMENSIONS: mm [INCHES]		CHK C. JONES 04MAY04		
TOLERANCES UNLESS OTHERWISE SPECIFIED: 0 PLC ±- 1 PLC ±- 2 PLC ±0.13 [.005] 3 PLC ±- 4 PLC ±- ANGLES ±0° 30'		APVD C. JONES 04MAY04	NAME PLUG, SEALED APPLICATION, HIGH TEMP, MINI UNIVERSAL MATE-N-LOK(TM)	
MATERIAL 		PRODUCT SPEC -	SIZE A2	
		APPLICATION SPEC -	CAGE CODE 00779	
		WEIGHT -	DRAWING NO 1586406	
		CUSTOMER DRAWING	RESTRICTED TO -	
		SCALE 5:1	SHEET 1 OF 1 REV B	

METRIC

1586406

单击下面可查看定价，库存，交付和生命周期等信息

[>>TE Connectivity\(泰科\)](#)