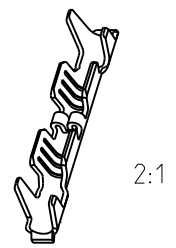
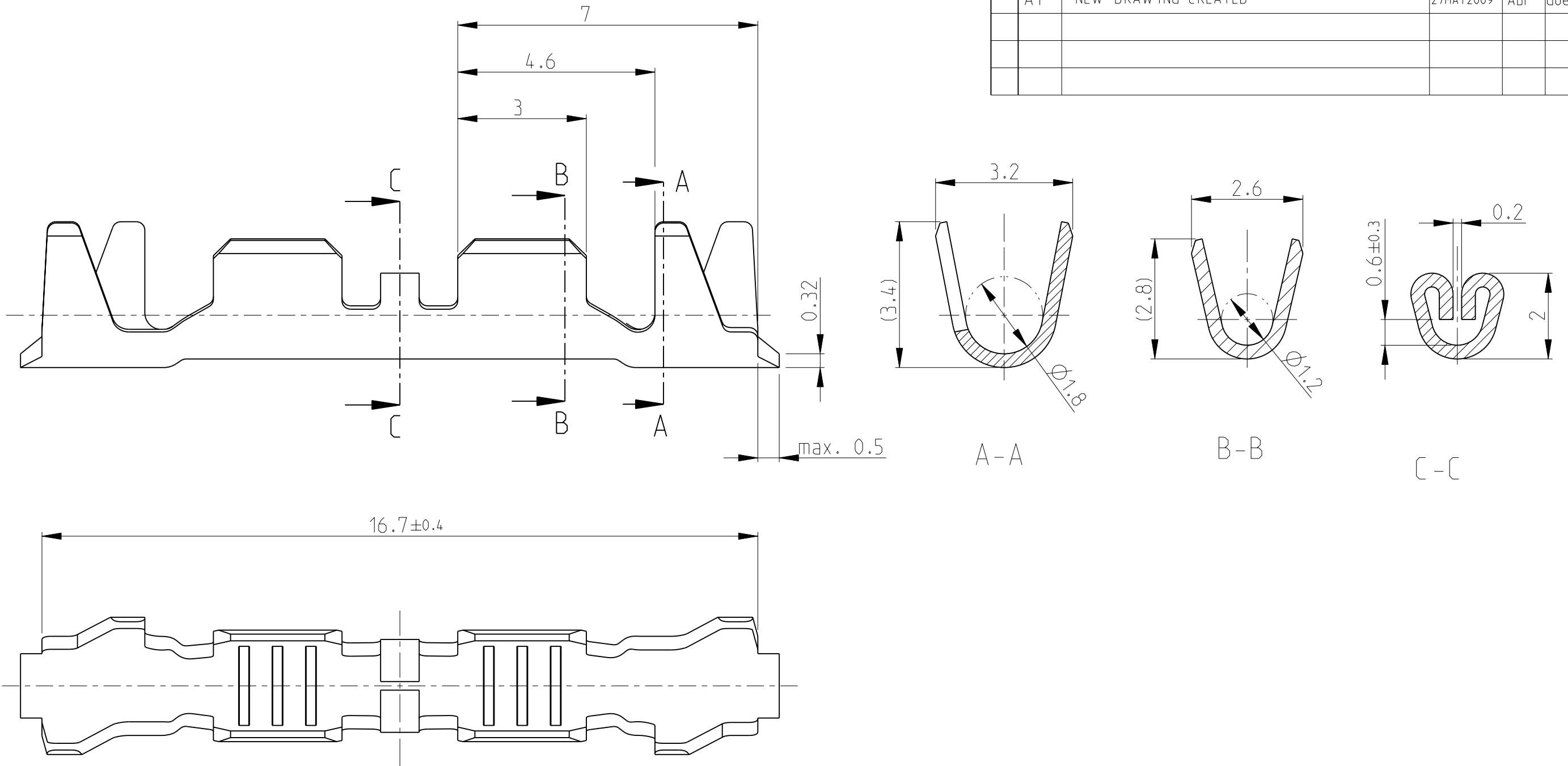


THIS DRAWING IS UNPUBLISHED. RELEASED FOR PUBLICATION 2009
 © COPYRIGHT 2009 BY TYCO ELECTRONICS CORPORATION. ALL RIGHTS RESERVED.

LOC	DIST	REVISIONS			
P	LTR	DESCRIPTION	DATE	DWN	APVD
A1	-	NEW DRAWING CREATED	27MAY2009	Abr	Goep



0.75 / 1.0	968041-1	PRETIN / vorverzinkt 1-3 µm	CuSn4	963921-1	A
WIRE RANGE / DGB	STRIP PN	FINISH	MATERIAL	PART NO.	REV
<small>THIS DRAWING IS A CONTROLLED DOCUMENT FOR TYCO ELECTRONICS CORPORATION IT IS SUBJECT TO CHANGE AND THE CONTROLLING ENGINEERING ORGANIZATION SHOULD BE CONTACTED FOR THE LATEST REVISION.</small>		DWN 26MAY2009 Abraham.G.	Tyco Electronics AMP GmbH 64625 Bensheim (Germany)		
DIMENSIONS: mm 		CHK 27MAY2009 Goeppl.C.			
TOLERANCES UNLESS OTHERWISE SPECIFIED: 0 PLC ± 1 PLC ± 2 PLC ± ±0.2 3 PLC ± 4 PLC ± ANGLES ±1°		APVD 28MAY2009 Bleicher.M.	NAME BUTT SPLICE LOOSE PIECE Stossverbinder Einzelausführung		
MATERIAL -		PRODUCT SPEC -	SIZE A3 CAGE CODE 00779 DRAWING NO. 963921		RESTRICTED TO -
FINISH -		APPLICATION SPEC -	WEIGHT 1.2 g		SCALE 10:1
CUSTOMER DRAWING			SHEET 1 OF 1		REV A1

单击下面可查看定价，库存，交付和生命周期等信息

[>>TE Connectivity\(泰科\)](#)