

THIS DRAWING IS UNPUBLISHED.

RELEASED FOR PUBLICATION

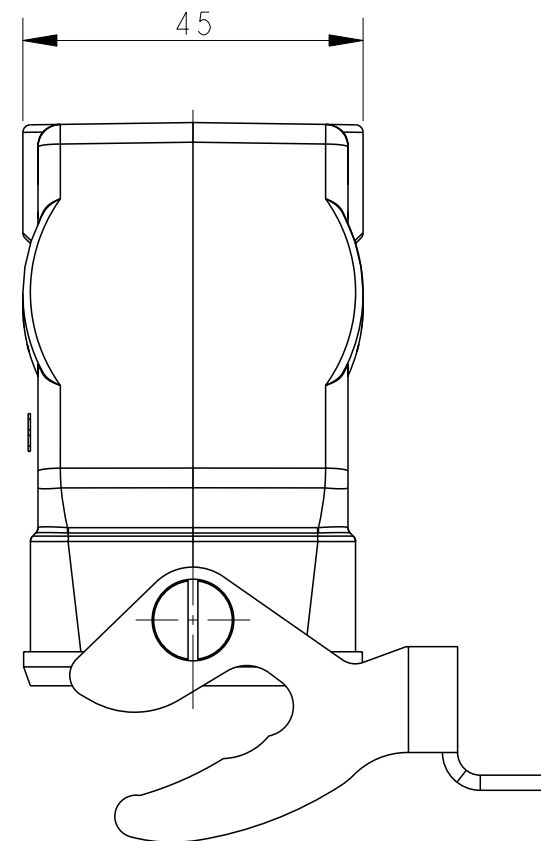
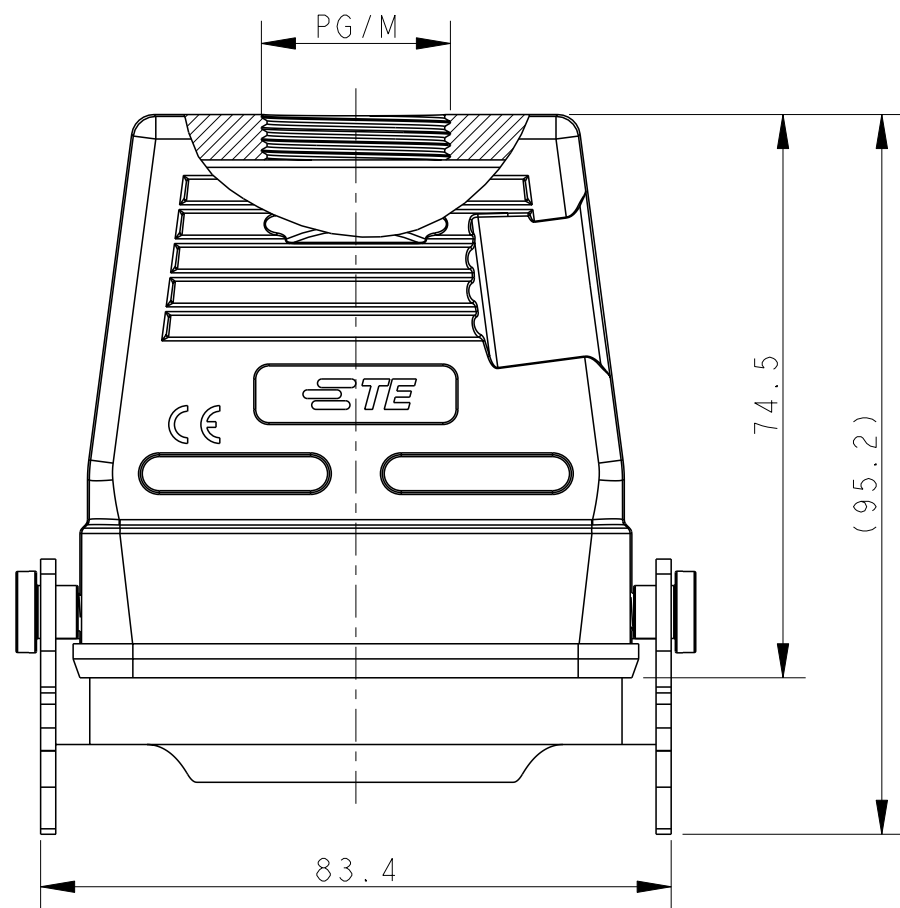
20

© COPYRIGHT 20 BY -

ALL RIGHTS RESERVED.

REVISIONS

P	LTR	DESCRIPTION	DATE	DWN	APVD
	A	INITIAL RELEASE	08JUL2015	DL	CW
	B	ECR-20-008181	29JUL2020	WQR	CW
	B1	ECR-21-103925	07JUN2021	WQR	CW

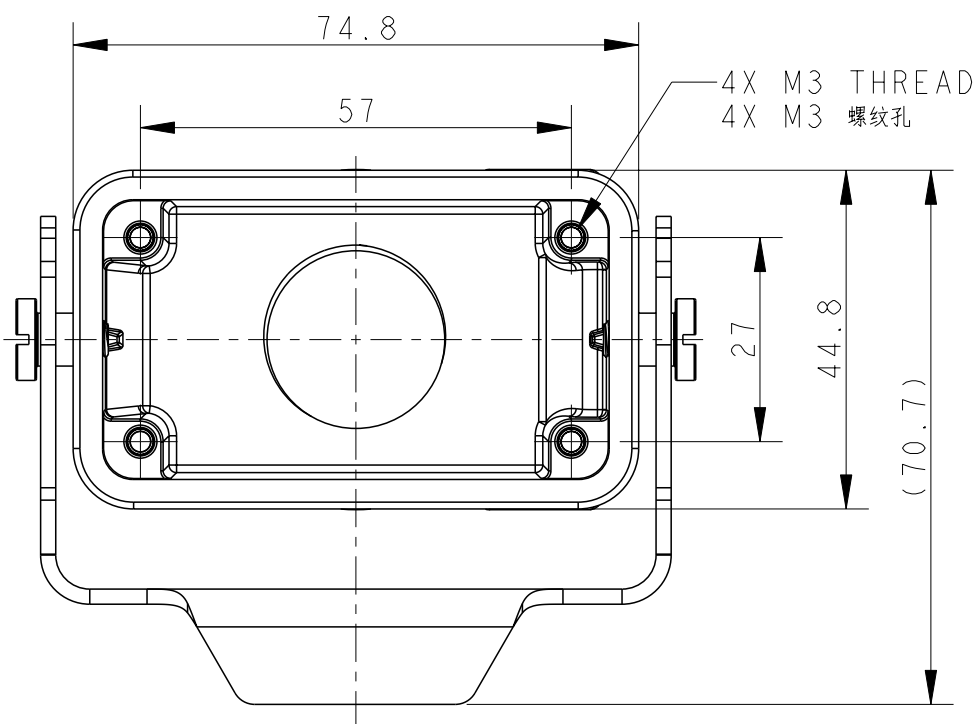


NOTES:

- 1. TECHNICAL CHARACTERISTICS:
 BODY MATERIAL: DIE CAST ALUMINIUM ALLOY
 SURFACE TREATMENT: POWDER-COATED, GRAY
 DEGREE OF PROTECTION: IP65 (MATED)

注释:

- 1. 技术参数:
 主体材料: 铝合金
 表面处理: 粉末喷涂, 灰色
 防护等级: IP65(配合)



T1770103121-000	H10B-TBFH-LB-PG21	PG21
T1770103125-000	H10B-TBFH-LB-M25	M25
T1770103129-000	H10B-TBFH-LB-PG29	PG29
T1770103132-000	H10B-TBFH-LB-M32	M32
ASSEMBLY PART NUMBER	ASSEMBLY PART DESCRIPTION	PG/M

THIS DRAWING IS A CONTROLLED DOCUMENT.		DWN 08JUL2015 DAVID LI	TE Connectivity NAME H10B-TBFH-LB-PG/M				
DIMENSIONS: mm		CHK 08JUL2015 CHRIS WANG				PRODUCT SPEC 108-137013	
TOLERANCES UNLESS OTHERWISE SPECIFIED:		APVD 08JUL2015 XU XIANG				APPLICATION SPEC 114-137013	
0 PLC ±- 1 PLC ±- 2 PLC ±- 3 PLC ±- 4 PLC ±- ANGLES ±-		WEIGHT -				SIZE A3	CAGE CODE -
MATERIAL -		FINISH -	CUSTOMER DRAWING		SCALE 1:1	SHEET 1 OF 1	REV B1

printed on 17 Jun 2021 11:10 (China Standard Time) from TE343646

单击下面可查看定价，库存，交付和生命周期等信息

[>>TE Connectivity\(泰科\)](#)