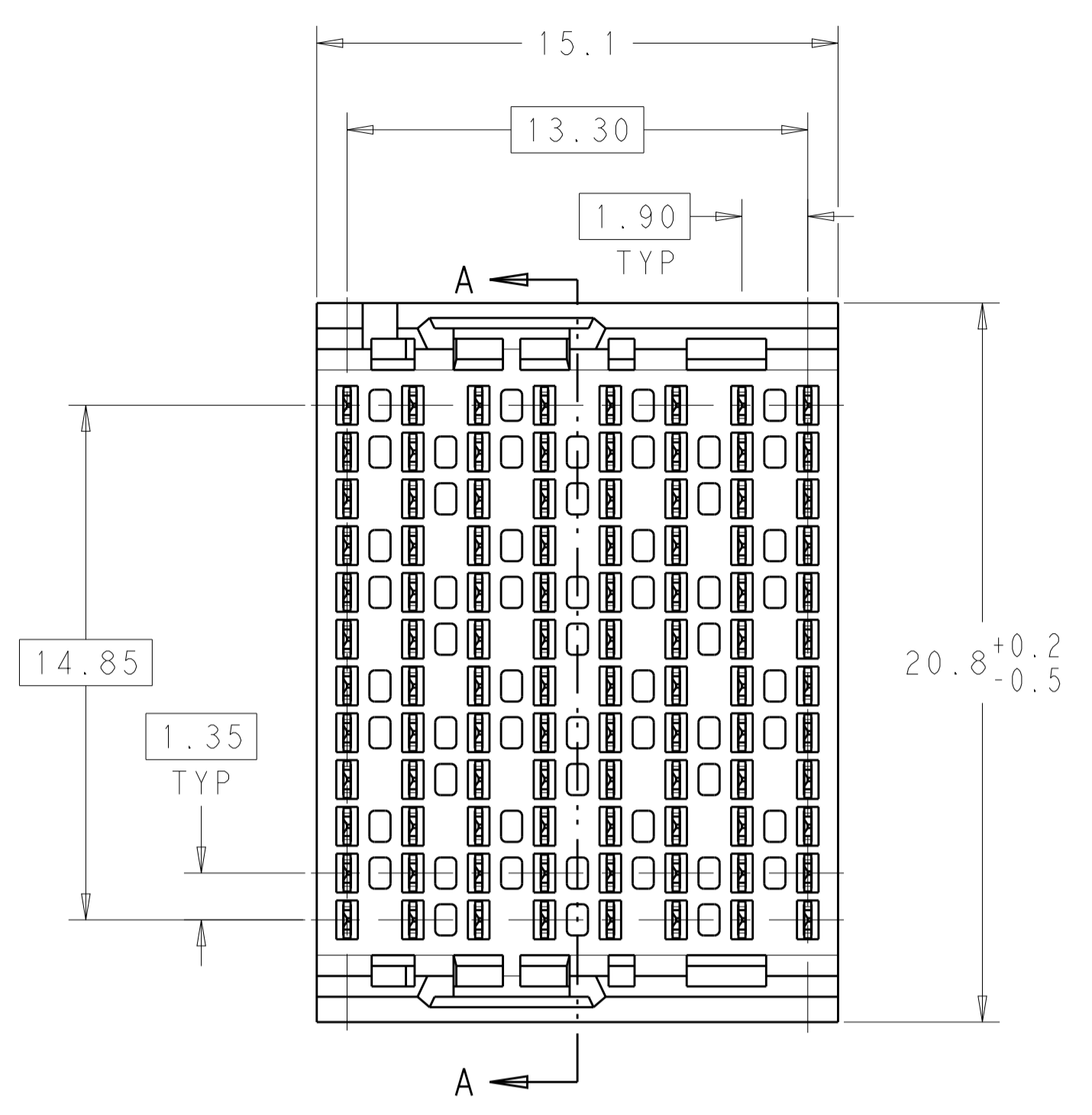
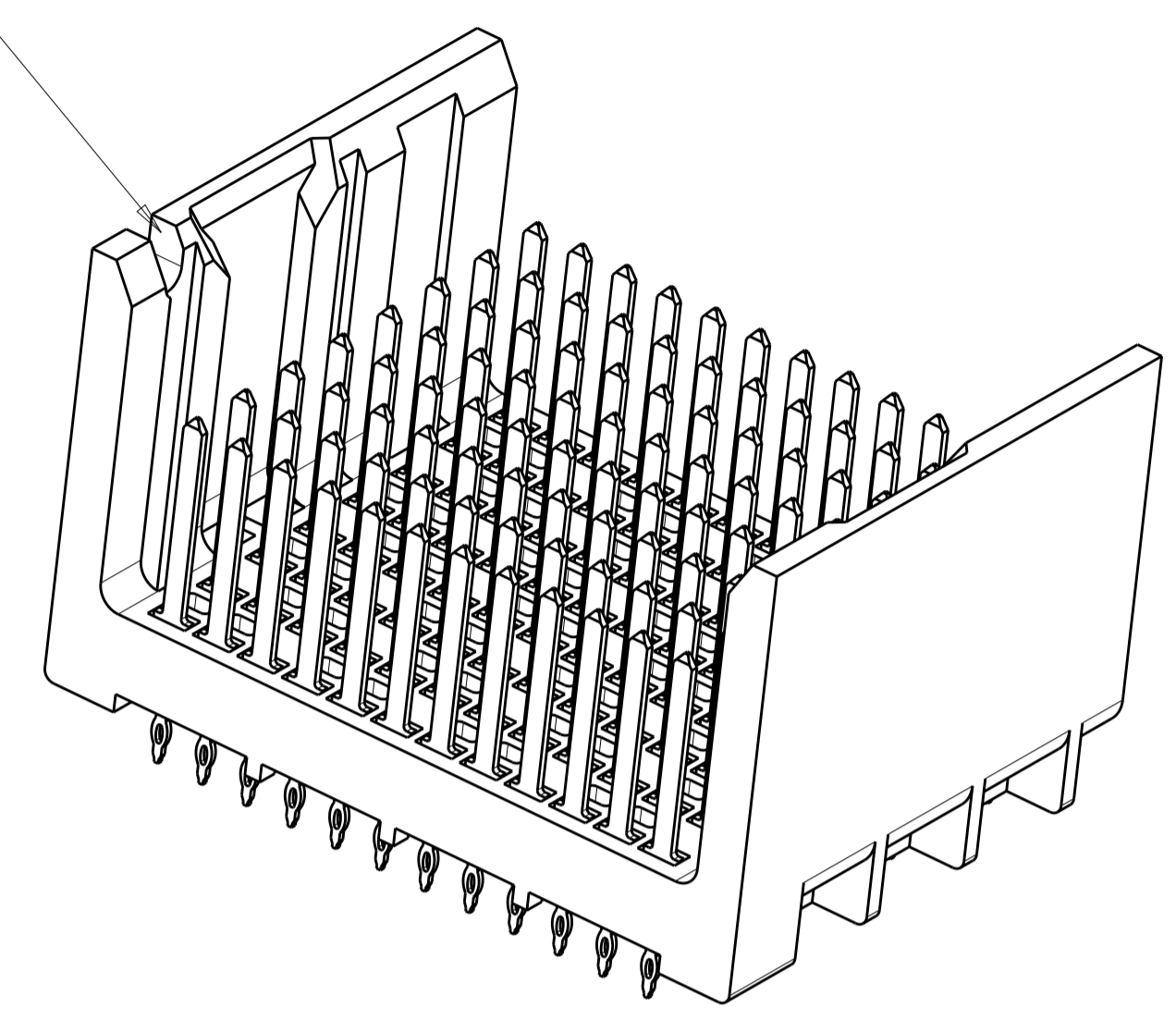


LOC	DIST	REVISIONS			
P	LTN	DESCRIPTION	DATE	DWN	APVD
A		REVISED PER ECO-15-001494	06FEB2015	AP	DD

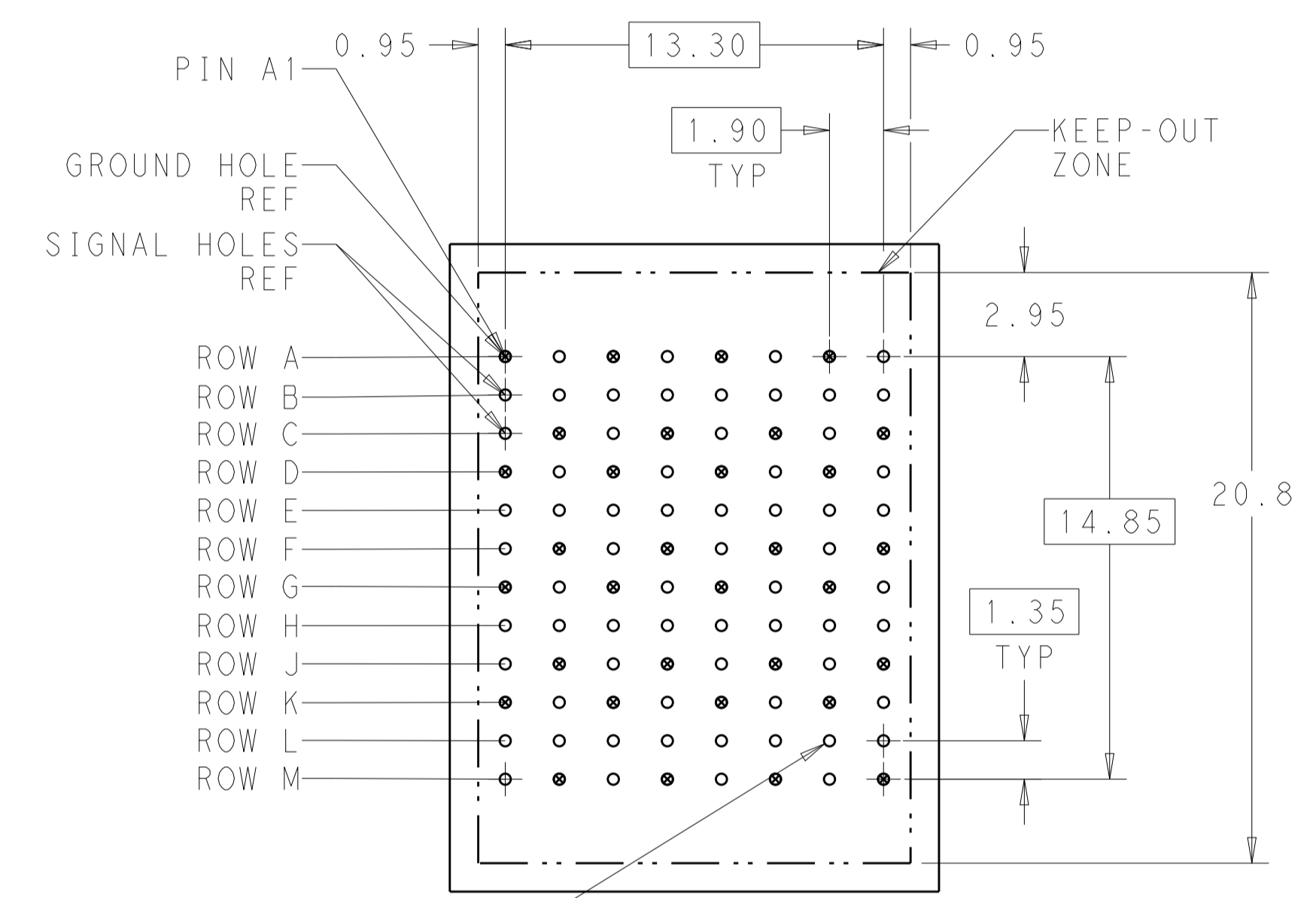


NOTCH DESIGNATES ROW A



⚠ MATERIAL:
HOUSING: LCP, GLASS FILLED, UL94V-0.
TERMINALS: HIGH PERFORMANCE COPPER ALLOY.

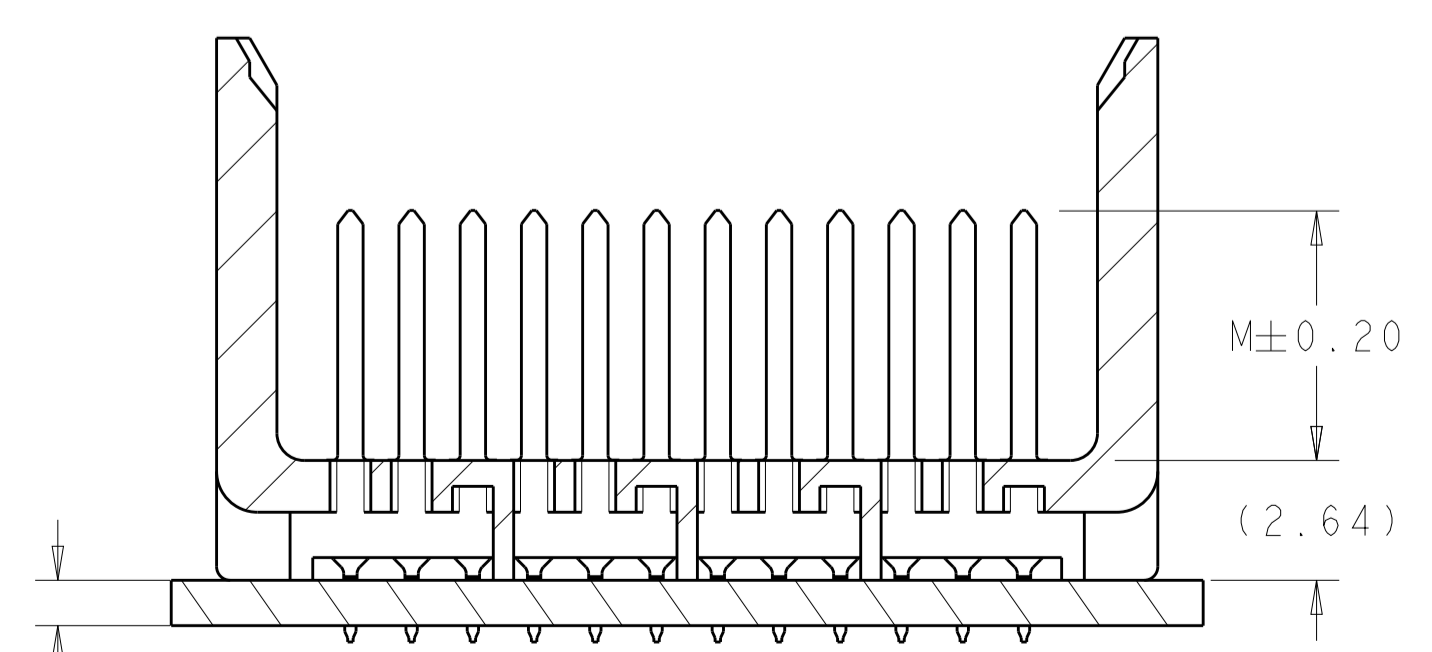
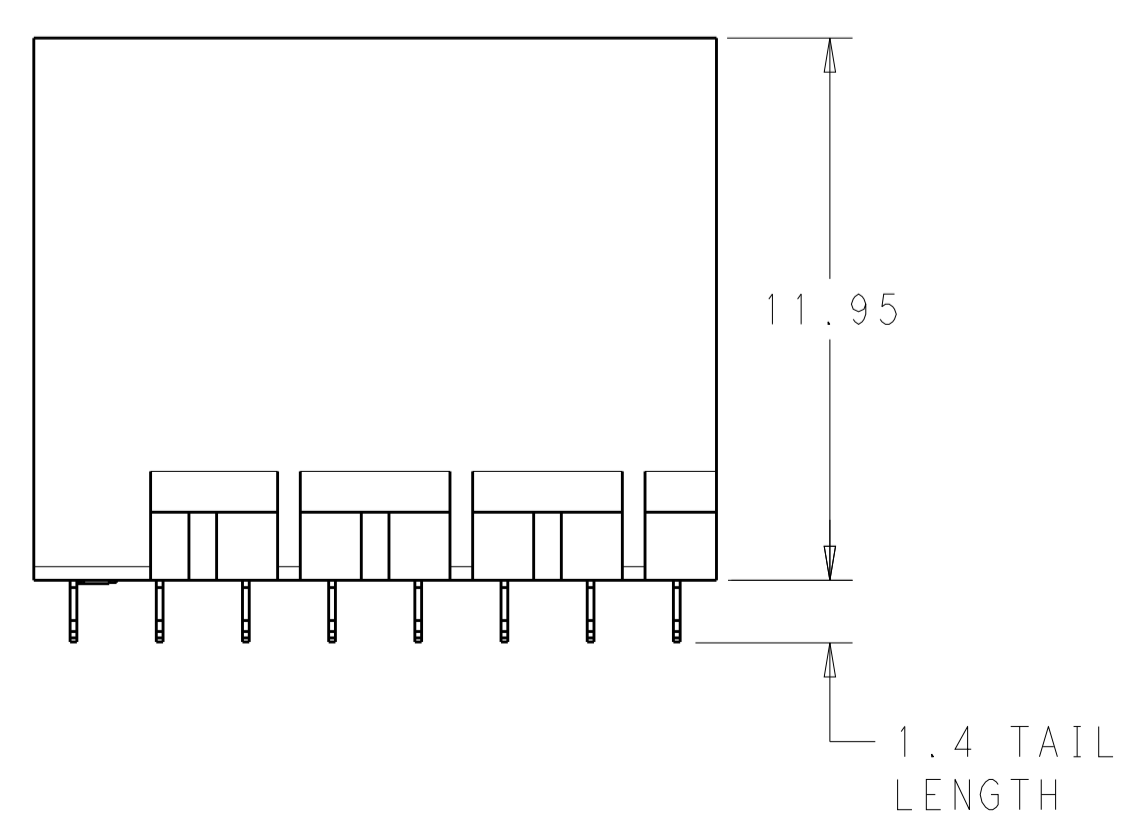
⚠ FINISH:
30μ" MIN GOLD IN CONTACT AREA. SELECTIVE TIN ON PCB TAILS, NICKEL OVERALL.



96X $\varnothing 0.39 \pm 0.05$ PLATED THRU HOLE

96X $\varnothing 0.48 \pm 0.013$ DRILL HOLE

$\varnothing 0.10$ UNGUIDED BACKPLANE HOLE PATTERN (CONNECTOR SIDE)



SECTION A-A

THIS DRAWING IS A CONTROLLED DOCUMENT.		DWN: KIRAN HOLAL 09JAN2013	STE TE Connectivity
DIMENSIONS: mm		CHK: D. DIXON 09JAN2013	
TOLERANCES UNLESS OTHERWISE SPECIFIED:		APVD: D. DIXON 09JAN2013	NAME: IMPACT, 4 PAIR, 8 COLUMN, HEADER
0 PLC	±	PRODUCT SPEC	UNGUIDED, OPEN END WALL
1 PLC	±0.25	APPLICATION SPEC	SIGNAL MODULE, 0.39 PTH
2 PLC	±0.13	SIZE	A100779C=2057446
3 PLC	±	WEIGHT	Customer Drawing
4 PLC	±	SCALE	6:1
ANGLES	±	SHEET	1 OF 2
FINISH	SEE TABLE	REV	A

THIS DRAWING IS UNPUBLISHED. RELEASED FOR PUBLICATION 20
 © COPYRIGHT 20 BY - ALL RIGHTS RESERVED.

LOC	DIST	REVISIONS					
		P	LTN	DESCRIPTION	DATE	DWN	APVD
AD	00	-	-	SEE SHEET 1	-	-	-

FINISH	DIM M	PART NUMBER
\triangle	5.5	2057446-3
\triangle	4.9	2057446-2
\triangle	4.5	2057446-1

REFER TO WWW.TE.COM
 FOR PRODUCT AVAILABILITY

THIS DRAWING IS A CONTROLLED DOCUMENT.		DWN KIRAN HOLH 09JAN2013	
		CHK D.DIXON 09JAN2013	
DIMENSIONS:	TOLERANCES UNLESS OTHERWISE SPECIFIED:	APVD D.DIXON 09JAN2013	NAME
mm	0 PLC ± 1 PLC ±0.25 2 PLC ±0.13 3 PLC ± 4 PLC ±	PRODUCT SPEC	IMPACT, 4 PAIR, 8 COLUMN, HEADER UNGUIDED, OPEN END WALL SIGNAL MODULE, 0.39 PTH
	ANGLES ±	APPLICATION SPEC	SIZE
MATERIAL	FINISH	WEIGHT	CAGE CODE DRAWING NO
-	SEE TABLE	-	A100779C=2057446
Customer Drawing		SCALE	RESTRICTED TO
		5:1	SHEET 2 OF 2 REV A

单击下面可查看定价，库存，交付和生命周期等信息

[>>TE Connectivity\(泰科\)](#)