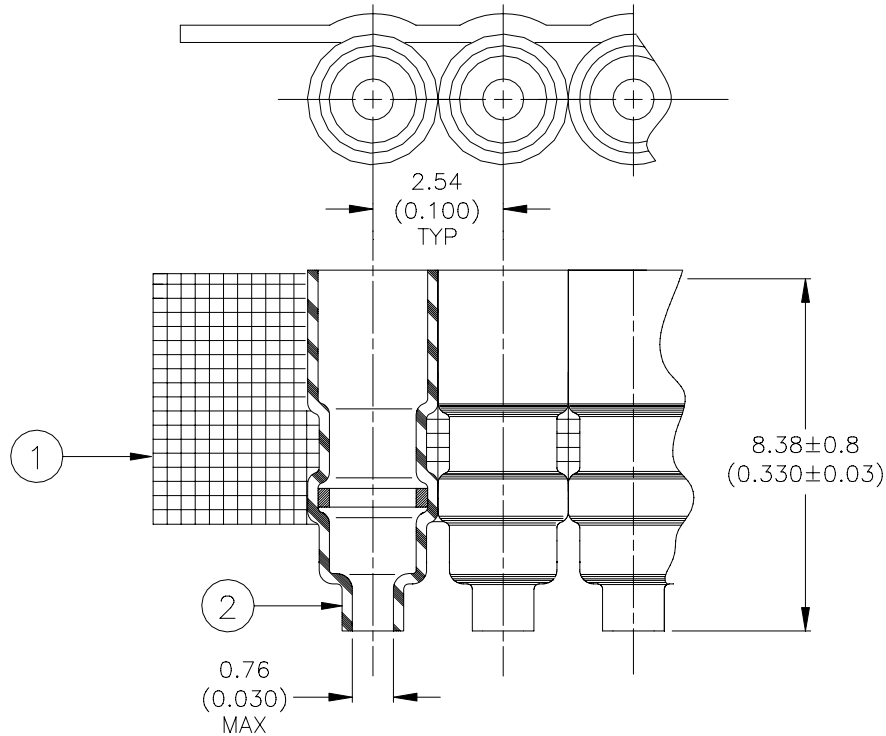


## SPECIFICATION CONTROL DRAWING



### MATERIALS

1. SOLDERSLLEEVE: D-141-21. Quantity Per Assembly: 1000
2. CARRIER STRIP: Adhesive Coated High Temperature Tape

### APPLICATION

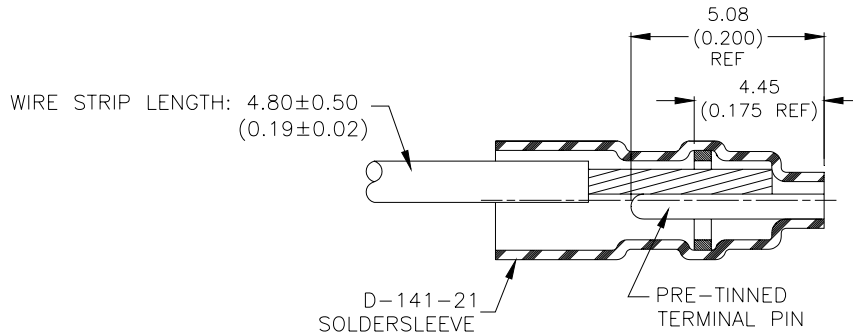
1. This assembly is designed for use on connectors having  $\phi 0.64$  ( $\phi 0.25$ ) terminals on 2.54 (0.100) center spacing.
2. Sleeves are to be installed using IR-1012 infrared heater, AD-1323 wire holding fixture, AD-1325 connector holding fixture, and AD-1324 Bandolier cutter.
3. For certain applications, the CV-4505 shop air heater may be used with an AD-1327 wire holding fixture.
4. The tape is to be removed after heating.
5. See page 2 for assembly procedure.

<b>Raychem Interconnect</b> <small>a division of tyco Electronics</small> 300 Constitution Drive Menlo Park, CA 94025, USA		<b>THERMOFIT DEVICES</b>	TITLE: <b>SOLDERPAK ASSEMBLY, BURNDY UPC CONNECTOR</b> $\phi 0.64 \times 5.08$ ( $\phi 0.025 \times 0.200$ ) Terminals on 2.54 (0.100) Center Spacing				
UNLESS OTHERWISE SPECIFIED DIMENSIONS ARE IN MILLIMETERS. INCHES DIMENSIONS ARE BETWEEN BRACKETS.			DOCUMENT NO.: <b>D-711-03</b>				
TOLERANCES: 0.00 N/A 0.0 N/A 0 N/A	ANGLES: N/A  ROUGHNESS IN MICRON	Raychem reserves the right to amend this drawing at any time. Users should evaluate the suitability of the product for their application.	DCR NUMBER: <b>D000589</b>		REPLACES: <b>N/A</b>		
DRAWN BY: M. FORONDA	DATE: 02-Oct.-00	PROD. REV. C	DOC ISSUE: 1	SCALE: None	SIZE: A	SHEET: 1 of 2	

If this document is printed it becomes uncontrolled. Check for the latest revision.

# SPECIFICATION CONTROL DRAWING

## THERMOFIT ASSEMBLY PROCEDURE



Solder Sleeve and Lead in Position for Assembly

### INSTALLATION PROCEDURE:

1. Terminals must be tinned prior to placement of sleeves.
2. Cut the correct number of sleeves from the reel.
3. Position sleeves onto connector terminals as shown above
4. Strip wire 4.83 (0.19).
5. Insert wires into sleeves. Wires should be straight and parallel to terminal.
6. Heating Technique:
  - a. Infrared Heater IR-1012: Position connector into holding fixture. Place leads to be connected into correct sleeve. Position heater and energize, after setting timer for correct cycle. Remove tape.
  - b. Convection Heater CV-4505: Position connector into AD-1327 holding fixture. Place leads to be connected into correct sleeve. Regulate airflow through nozzle to achieve an air temperature of 600° - 650°F at a point 7.62 (0.30) from the nozzle, (about 2.5 to 3 psig). Apply heat until solder flow is noted. Remove tape.

<b>Raychem Interconnect</b> <small>a division of tyco Electronics</small> 300 Constitution Drive Menlo Park, CA 94025, USA		THERMOFIT DEVICES	TITLE: <b>SOLDERPAK ASSEMBLY,                  BURNDY UPC CONNECTOR</b> ø0.64x5.08 (ø0.025x0.200) Terminals on 2.54 (0.100) Center Spacing				
UNLESS OTHERWISE SPECIFIED DIMENSIONS ARE IN MILLIMETERS. INCHES DIMENSIONS ARE BETWEEN BRACKETS.			DOCUMENT NO.: <b>D-711-03</b>				
TOLERANCES: 0.00 N/A 0.0 N/A 0 N/A	ANGLES: N/A  ROUGHNESS IN MICRON	Raychem reserves the right to amend this drawing at any time. Users should evaluate the suitability of the product for their application.	DCR NUMBER: D000589		REPLACES: N/A		
DRAWN BY: M. FORONDA	DATE: 02-Oct.-00	PROD. REV. C	DOC ISSUE: 1	SCALE: None	SIZE: A	SHEET: 2 of 2	

If this document is printed it becomes uncontrolled. Check for the latest revision.

单击下面可查看定价，库存，交付和生命周期等信息

[>>TE Connectivity\(泰科\)](#)