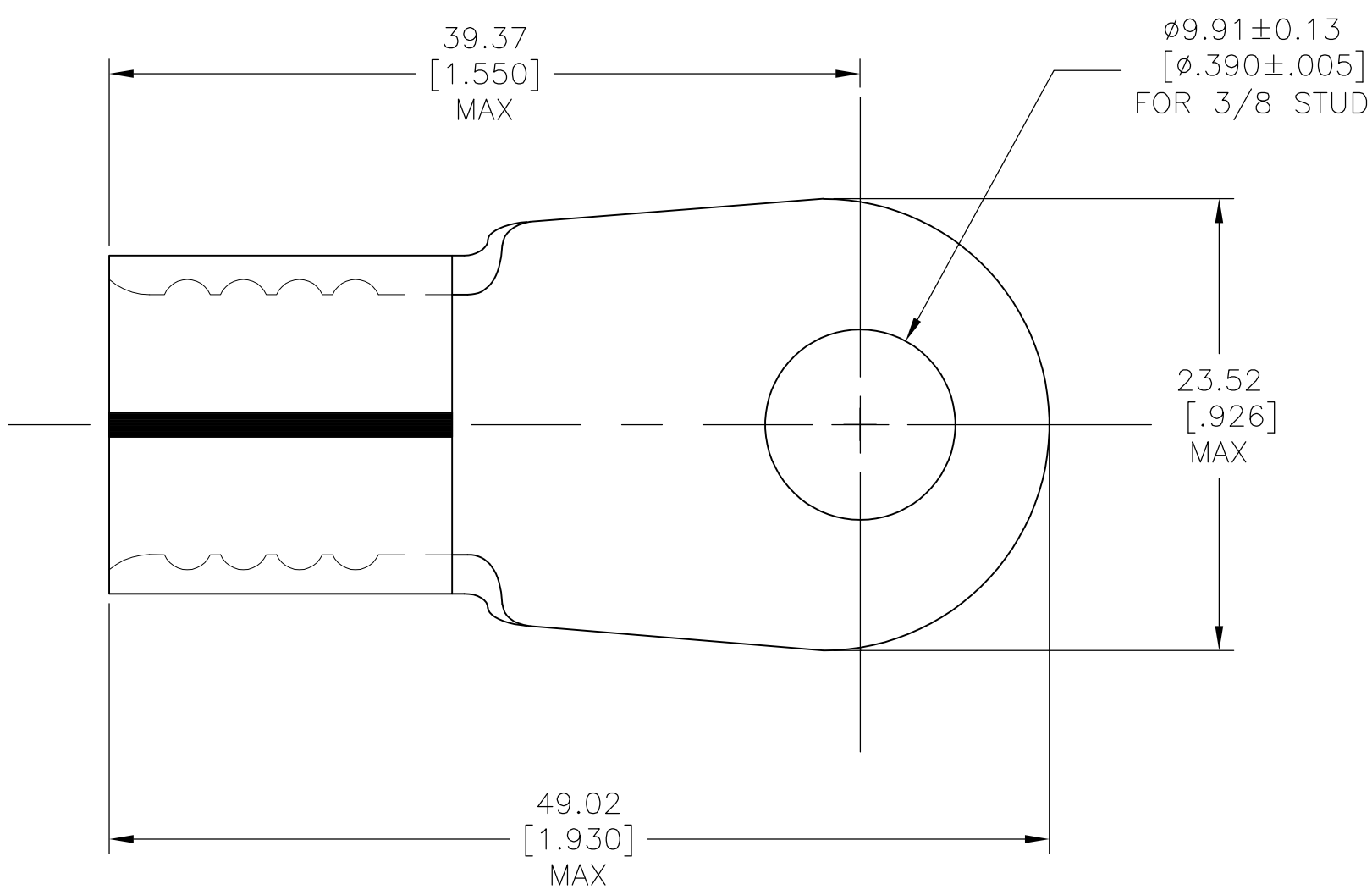


THIS DRAWING IS UNPUBLISHED. RELEASED FOR PUBLICATION
 © COPYRIGHT - By - ALL RIGHTS RESERVED.

LOC	DIST	REVISIONS					
		P	LTR	DESCRIPTION	DATE	DWN	APVD
G	86		A1	REVISED PER ECO-11-024755	13DEC11	KH	DR



- 1 WIRE RANGE IS FOR 2/0 AWG STANDARD. WIRE CROSS SECTIONAL AREA RANGE: 119,500-150,500 CMA, STRANDED WIRE
- 2 THE TONGUE THK IS 2.03±0.076[.080±.003]
- 3 RECOMMENDED OPERATING TEMP -55°C TO +200°C FOR HEAT SHRINK TUBING

1	6-1192857-2	HIGH AND LOW TEMPERTURE CROSS LINKED FLOUROPOLYMER HEAT SHRINK TUBING 19.05[.750]MIN IDX44.45±3.05[1.75±.12] RT555-3/4-0-SP
1	321871-2	TERMINAL BODY: COPPER PER ASTM B-152 ANNEALED FINISH: NICKEL PLATE .000300 MIN THK PER SAE AMS QQ-N-290
-1	PART NO	DESCRIPTION

THIS DRAWING IS A CONTROLLED DOCUMENT.		DWN JR RUTH 08DEC09	TE Connectivity														
DIMENSIONS: mm [INCHES]		CHK TOM MICHIELUTTI 08DEC09	NAME HEAT RESISTANT TERMINAL KIT														
TOLERANCES UNLESS OTHERWISE SPECIFIED:		APVD TOM MICHIELUTTI 08DEC09	PRODUCT SPEC -														
<table border="0"> <tr><td>0 PLC</td><td>± -</td></tr> <tr><td>1 PLC</td><td>± -</td></tr> <tr><td>2 PLC</td><td>± -</td></tr> <tr><td>3 PLC</td><td>± -</td></tr> <tr><td>4 PLC</td><td>± -</td></tr> <tr><td>ANGLES</td><td>± 1°</td></tr> </table>		0 PLC	± -	1 PLC	± -	2 PLC	± -	3 PLC	± -	4 PLC	± -	ANGLES	± 1°	APPLICATION SPEC -	SIZE A3	CAGE CODE 00779	DRAWING NO G-696650
0 PLC	± -																
1 PLC	± -																
2 PLC	± -																
3 PLC	± -																
4 PLC	± -																
ANGLES	± 1°																
MATERIAL -	FINISH -	WEIGHT -	RESTRICTED TO -														
CUSTOMER DRAWING			SCALE 3:1	SHEET 1 OF 1	REV A1												

单击下面可查看定价，库存，交付和生命周期等信息

[>>TE Connectivity\(泰科\)](#)