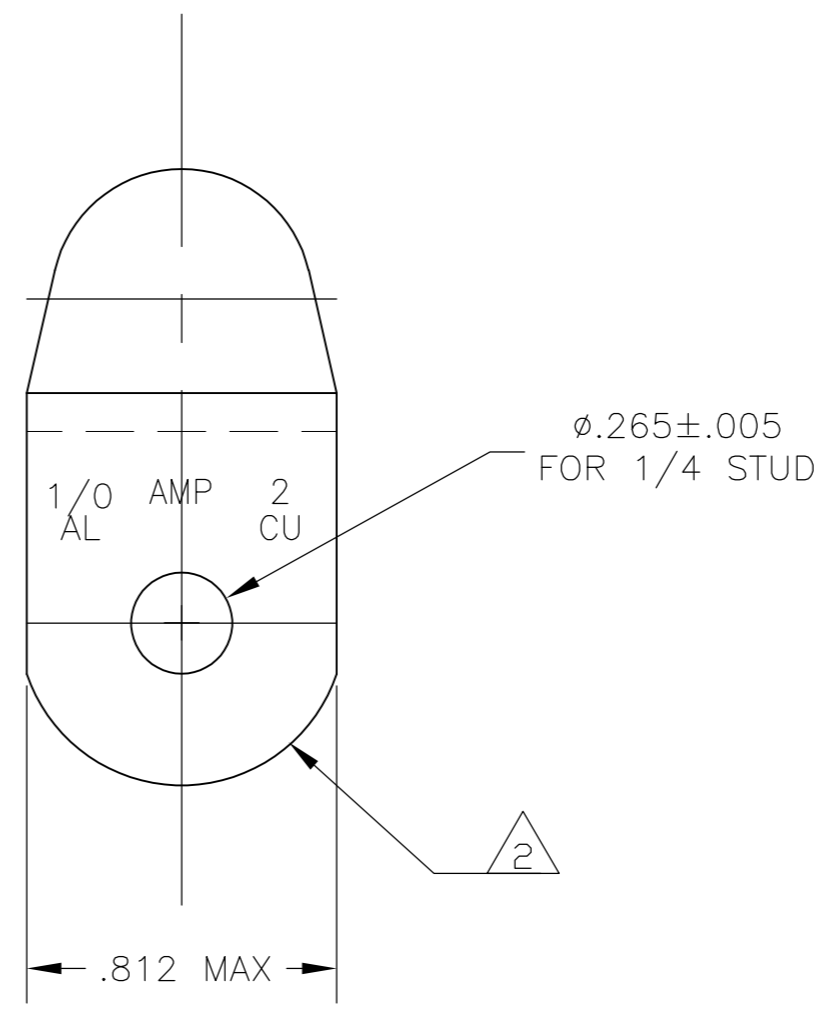
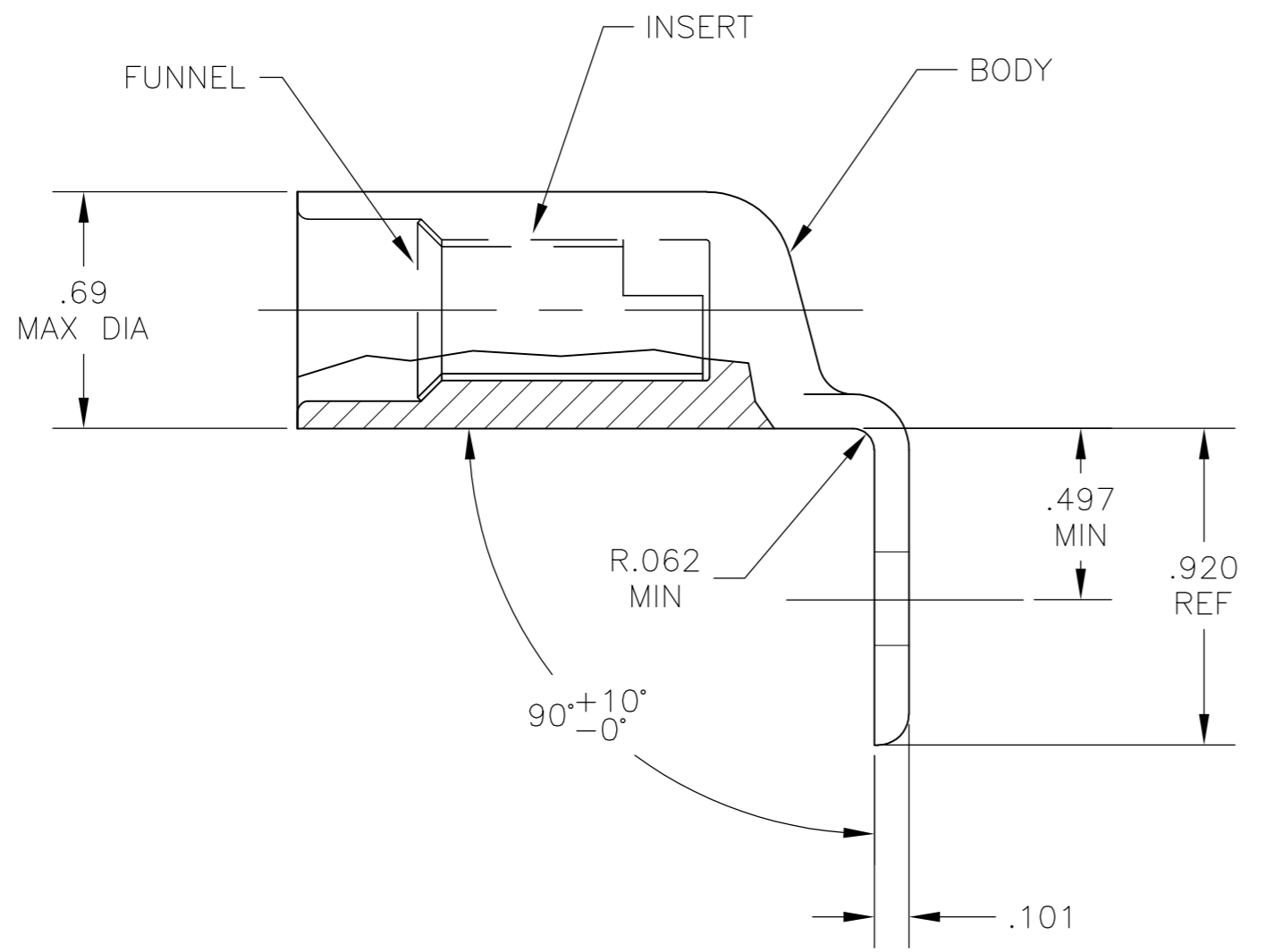
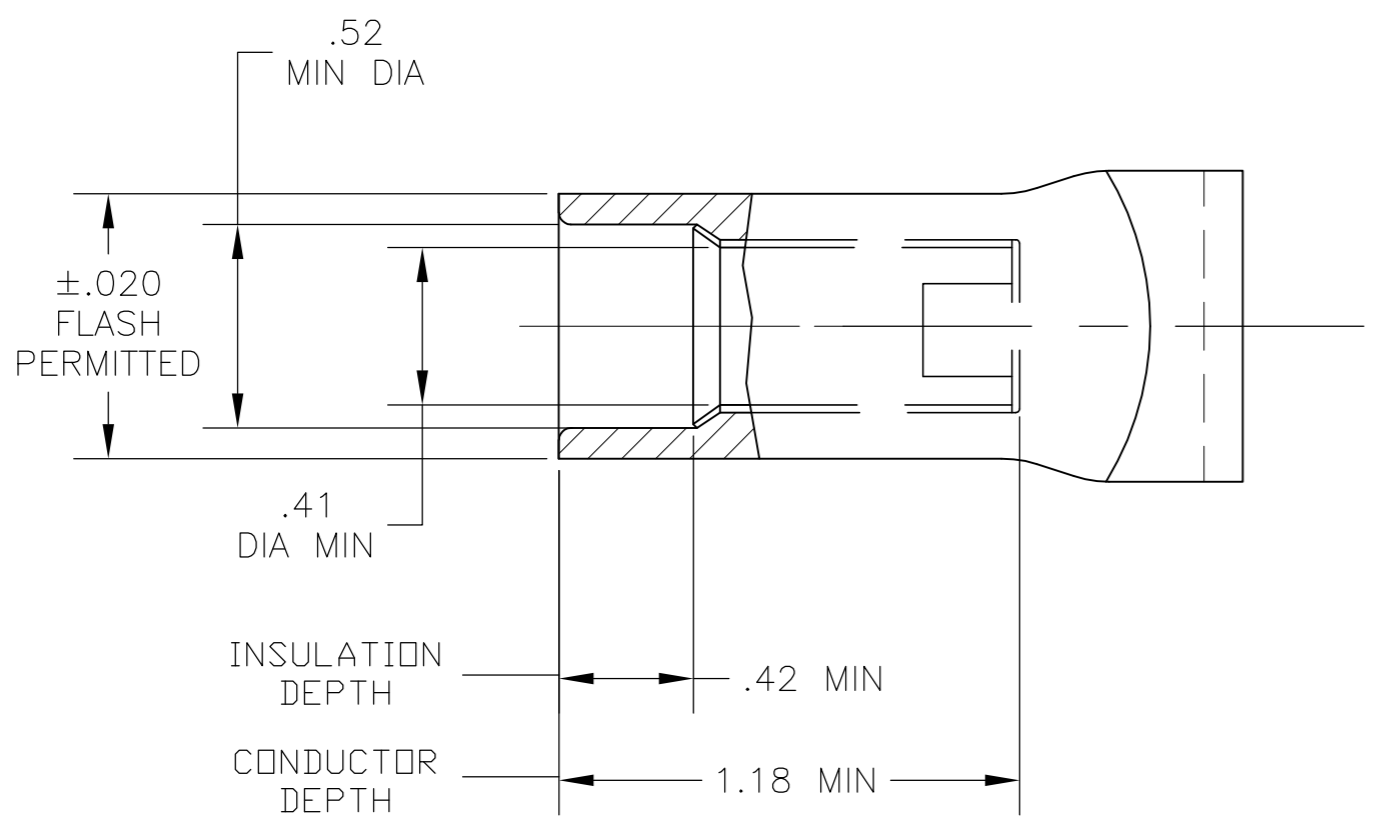


THIS DRAWING IS UNPUBLISHED. RELEASED FOR PUBLICATION
 © COPYRIGHT - By - ALL RIGHTS RESERVED.

LOC	DIST	REVISIONS			
P	LTR	DESCRIPTION	DATE	DWN	APVD
G	02	B	REV PER ECO-11-013399	15JUL11	PY BW



- 1 WIRE INSULATION: .470/.425 DIA
- 2 THE TONGUE RADIUS FEATURE IS NOT A TOOLING CONTROLLED DIMENSION AND MAY NOT BE A TRUE RADIUS.
- 3 BODY: MATERIAL - COPPER ASTM B187 ANNEALED
FINISH - TIN PL PER ASTM B-545 .000150 MIN THK
- 4 INSERT: MATERIAL - BRASS MIL-C-50
FINISH - NICKEL PL PER QQ-N-290 .000300 AVG THK
- 5 FUNNEL: MATERIAL - BRASS MIL-C-50
FINISH - NICKEL PL PER QQ-N-290 .000300 AVG THK

696632-1
PART NO

THIS DRAWING IS A CONTROLLED DOCUMENT.		DWN jr ruth 02SEP03		
DIMENSIONS: INCHES		CHK MJ SPICER 02SEP03		
TOLERANCES UNLESS OTHERWISE SPECIFIED:		APVD MJ SPICER 02SEP03	NAME SEALED COPALUM, RING TONGUE WIRE SIZE : 1/0 AL - 2 CU	
0 PLC ± -	1 PLC ± -	PRODUCT SPEC	SIZE A2	CAGE CODE 00779
2 PLC ± -	3 PLC ± .005	APPLICATION SPEC	DRAWING NO C=696632	RESTRICTED TO
4 PLC ± -	ANGLES ± 1°	WEIGHT	SCALE 1:1	SHEET 1 of 1
MATERIAL 3 4 5	FINISH 3 4 5	CUSTOMER DRAWING	REV B	

696632

单击下面可查看定价，库存，交付和生命周期等信息

[>>TE Connectivity\(泰科\)](#)