

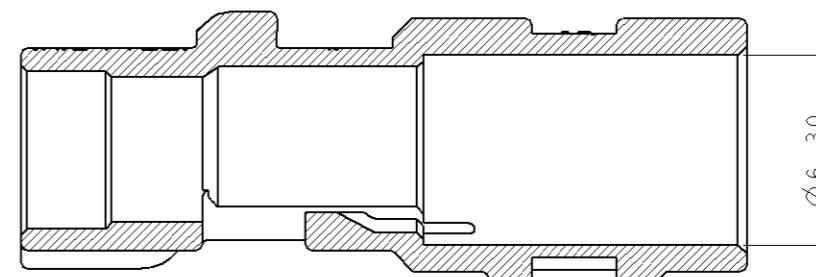
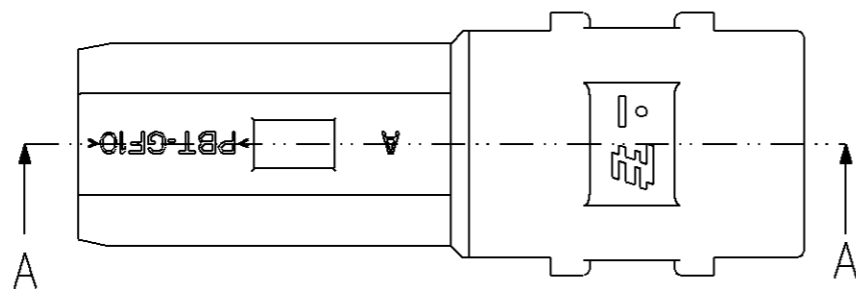
THIS DRAWING IS UNPUBLISHED.

RELEASED FOR PUBLICATION

20

© COPYRIGHT 20 BY TYCO ELECTRONICS CORPORATION. ALL RIGHTS RESERVED.

LOC	DIST	REVISIONS					
		P	LTR	DESCRIPTION	DATE	DWN	APVD
DS	-		A	RELEASED	23. AUG. '08	GH	JK



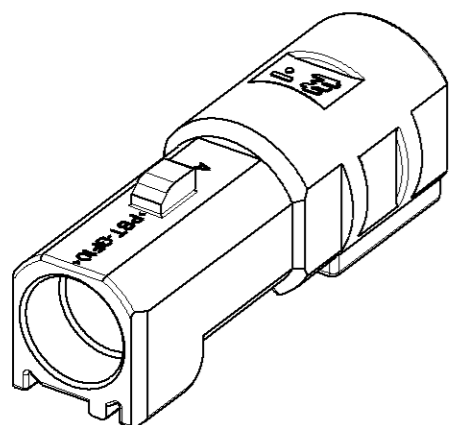
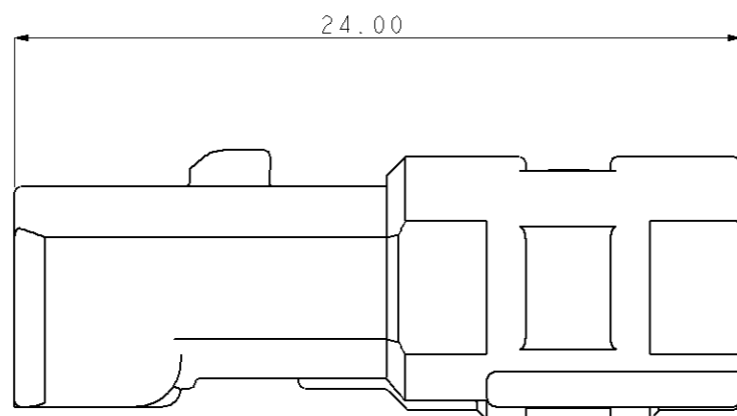
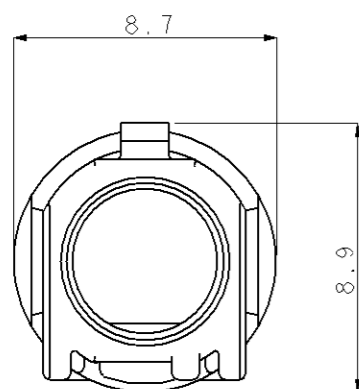
SECTION A - A

TABLE 1. REC. CONTACT

WIRE TYPE	DRAWING NO.	DESCRIPTION	ORDER NO.
RG 174/316	1488571	CENTER CONTACT	1418971-1
		SUBASSY	1488154-1
		FERRULE	1-413889-3
	1719795	CENTER CONTACT	1418971-1
		SUBASSY	1719793-1
		FERRULE	1-413889-3

NOTE ;

1. GENERAL TOLERANCE :  $\pm 0.3$ ,  $\pm 3.0^\circ$
2. APPLICABLE TAB CONTACT : SEE TABLE 1.
3. THE MATING CAP HSG P/N : 1897373
4. THE MATING CLIP P/N : 1897480



1897374-8	PLUG HSG	PBT-GF10	BLUE
1897374-7	PLUG HSG	PBT-GF10	GREEN
1897374-4	PLUG HSG	PBT-GF10	BROWN
1897374-2	PLUG HSG	PBT-GF10	BLACK
PART NO.	DESCRIPTION	MATERIAL	COLOR

DIMENSIONS:		TOLERANCES UNLESS OTHERWISE SPECIFIED:		DWN		tyco		AMP, KOREA	
mm		0 PLC $\pm .5$		GH KIM 23.AUG.'08		Electronics		kyungsan, korea	
		1 PLC $\pm .5$		CHK		NAME		RF SMB PLUG HSG	
		2 PLC $\pm 0.13$		KT LIM					
		3 PLC $\pm 0.013$		APVD		RESTRICTED TO		-	
		4 PLC $\pm 0.0001$		JK SONG					
MATERIAL		FINISH		PRODUCT SPEC		SIZE		CAGE CODE	
-		-		-		A300779		DRAWING NO	
				APPLICATION SPEC		C=1897374		-	
				WEIGHT		CUSTOMER DRAWING		SCALE	
				-		4:1		SHEET	
								OF	
								REV	
								A	

单击下面可查看定价，库存，交付和生命周期等信息

[>>TE Connectivity\(泰科\)](#)