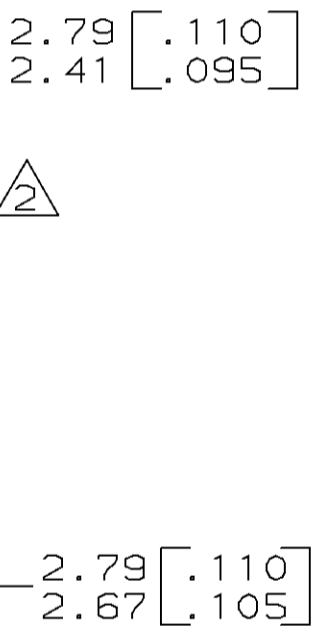
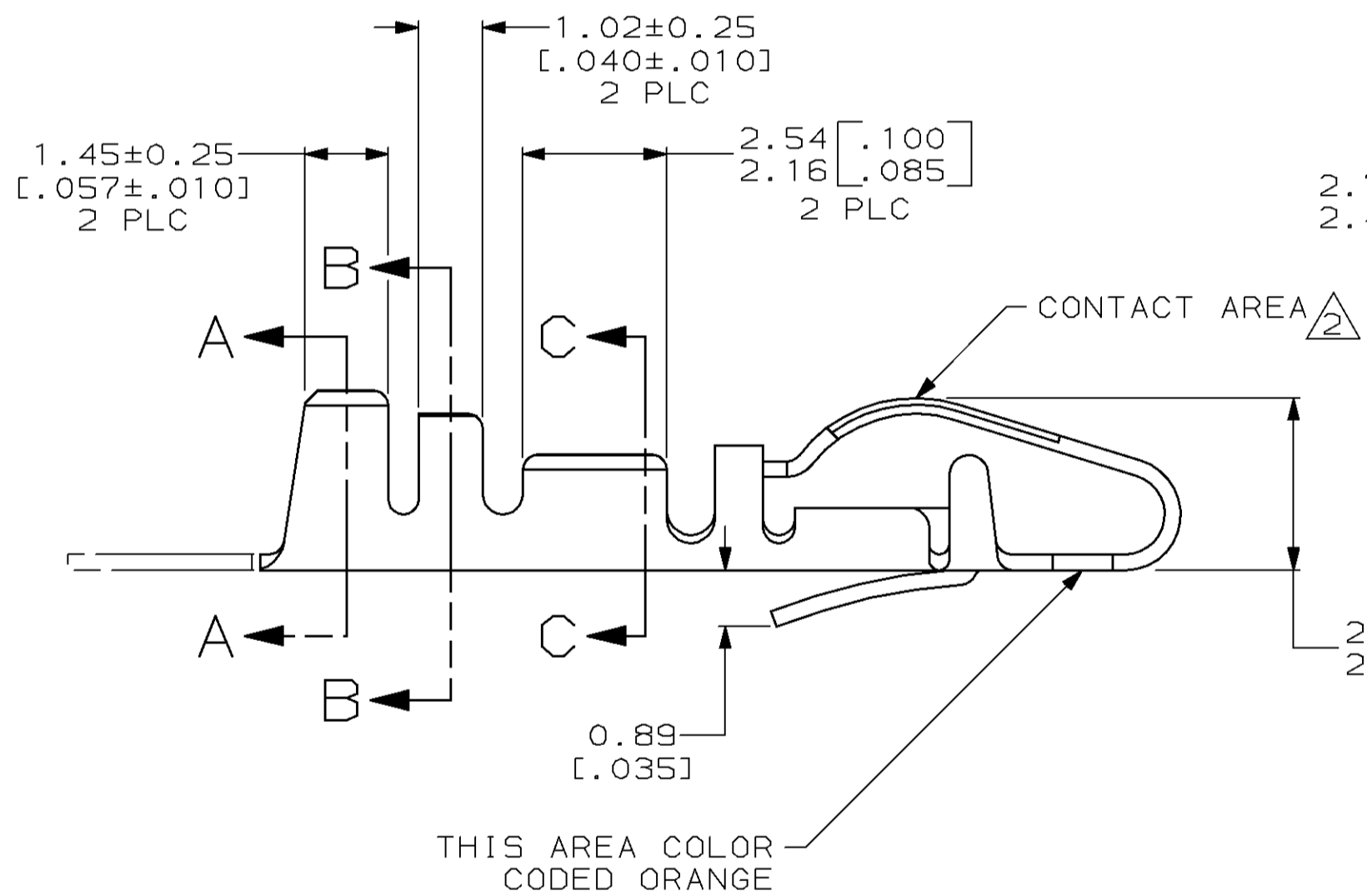
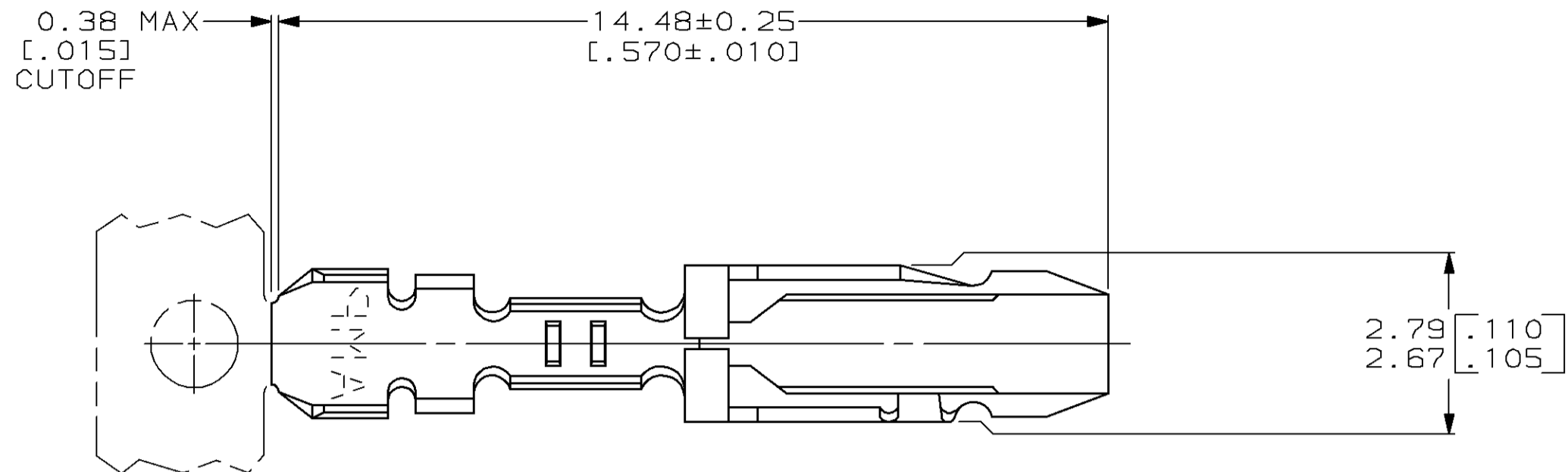
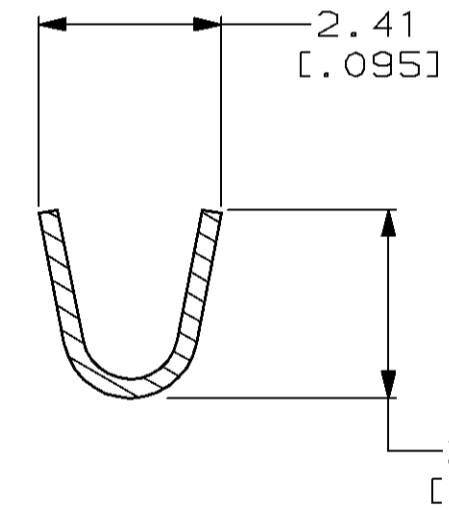


THIS DRAWING IS UNPUBLISHED. RELEASED FOR PUBLICATION  
 © COPYRIGHT 19 BY AMP INCORPORATED. ALL RIGHTS RESERVED.

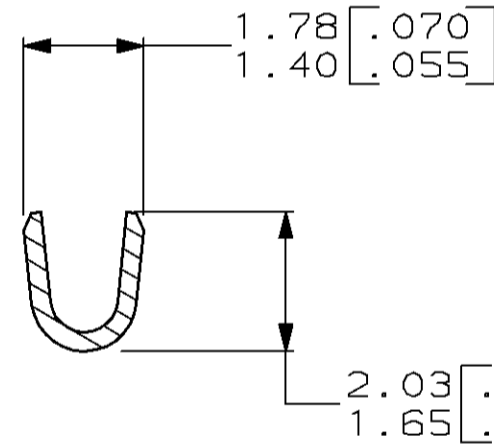
LOC		DIST		REVISIONS			
P	LTR	DESCRIPTION	DATE	DWN	APVD		
FT	22	J	REDRAWN W/O CHANGE PER EC 0010-424-96	28 AUG 97	-	-	-



SECTION A-A



SECTION B-B



SECTION C-C

- 1 PHOSPHOR BRONZE.
- 2 0.76µm [.000030] MIN GOLD IN CONTACT AREA, GOLD FLASH ON REMAINDER OF CONTACT, BOTH OVER 1.27µm [.000050] MIN NICKEL.
- 3. INSULATION RANGE: 1.27-1.63 [.050-.064] DIA.

583990-3  
 PART NUMBER

THIS DRAWING IS A CONTROLLED DOCUMENT.		DWN D. HARDY 28 AUG 97	AMP Incorporated Harrisburg, PA 17105-3608	
DIMENSIONS: mm [INCHES]		CHK R. STONE 04 SEP 97	NAME N. SCHROLL	
TOLERANCES UNLESS OTHERWISE SPECIFIED:		APVD N. SCHROLL 05 SEP 97	PRODUCT SPEC -	
0 PLC ±-		APPLICATION SPEC -		
1 PLC ±-		WEIGHT -		
2 PLC ±0.13 [.005]		SIZE A2		
3 PLC ±-		CAGE CODE 00779		
4 PLC ±-		DRAWING NO 583990		
ANGLES ±-		RESTRICTED TO -		
FINISH 1		SCALE 10:1		
MATERIAL 1		SHEET 1 OF 1		
CUSTOMER DRAWING		REV J		

583990

单击下面可查看定价，库存，交付和生命周期等信息

[>>TE Connectivity\(泰科\)](#)