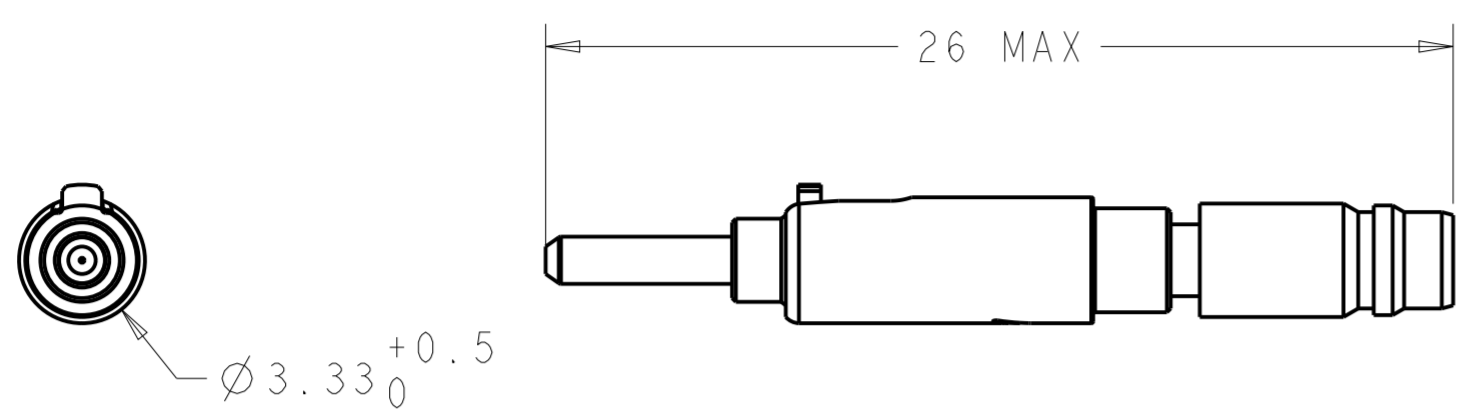


THIS DRAWING IS UNPUBLISHED. RELEASED FOR PUBLICATION 20
 © COPYRIGHT 20 BY - ALL RIGHTS RESERVED.

REVISIONS				
P	LTR	DESCRIPTION	DATE	APVD
C		ECR-14-015639	22OCT2014	KG DW



CRIMP SLEEVE

ARINC 801 MT TERMINUS, MM

PROTECTIVE COVER

⚠ MATERIAL:
 PROTECTIVE COVER: THERMOPLASTIC
 FERRULE: ZIRCONIA
 FERRULE BASE: NICKEL PLATED COPPER ALLOY
 INDEXED COVER: NICKEL PLATED COPPER ALLOY
 CRIMP SLEEVE: NICKEL PLATED COPPER ALLOY
 SPRING: STAINLESS STEEL

1828200-1
 PART NO.

THIS DRAWING IS A CONTROLLED DOCUMENT.		DWN E. HOPKINS 21FEB2005	TE Connectivity	
DIMENSIONS:		CHK D. ROHDE 21FEB2005		
mm	TOLERANCES UNLESS OTHERWISE SPECIFIED:	APVD B. EDWARDS 21FEB2005	NAME ARINC 801 CONNECTOR KIT, MT, MM	
0 PLC ±-	1 PLC ±-	PRODUCT SPEC	-	
2 PLC ±-	3 PLC ±-	APPLICATION SPEC	-	
4 PLC ±-	ANGLES ±-	WEIGHT	-	
MATERIAL	FINISH	Customer Drawing	SIZE A200779	DRAWING NO C-1828200
			RESTRICTED TO	
			SCALE 5:1	SHEET 1 OF 1 REV C

单击下面可查看定价，库存，交付和生命周期等信息

[>>TE Connectivity\(泰科\)](#)