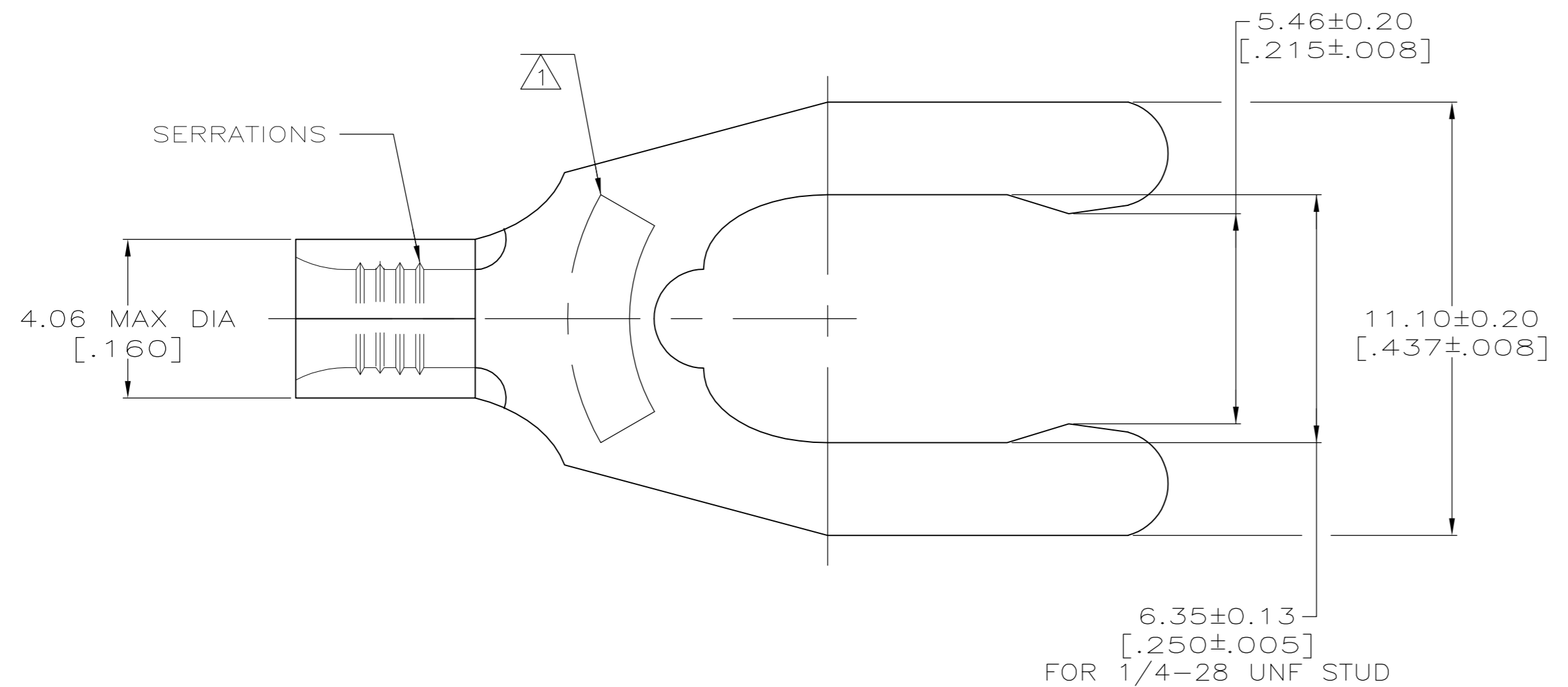


THIS DRAWING IS UNPUBLISHED. RELEASED FOR PUBLICATION  
 © COPYRIGHT BY TYCO ELECTRONICS CORPORATION. ALL INTERNATIONAL RIGHTS RESERVED.

LOC	DIST	REVISIONS					
		P	LTR	DESCRIPTION	DATE	DWN	APVD
G	14	A1		REVISED PER ECR 10-010105	28JUN10	JR	TM



<b>AMP</b> WIRE RANGE	Listed FILE E13288	LR7189 Certified
16-14 AWG STRANDED	16-14 AWG STRANDED	NOT CERTIFIED

- ① STAMP 1/4S AMP 16-14\* APPROX AS SHOWN  
1/4S INDICATES STUD SIZE
- ② PHOSPHOR BRONZE PER ASTM B-103, ANNEALED
- ③ 0.00254 [.000100] MIN TIN PLATE  
PER ASTM B-545

53033-1  
PART NO.

<b>CUSTOMER SERVICE SYSTEMS</b>		MAX RECOMMENDED OPERATING TEMPERATURE: 170°C MAX
FOR ADDITIONAL PRODUCT INFORMATION OR COPIES OF DRAWINGS AND TECHNICAL DOCUMENTS	PRODUCT INFORMATION CENTER 1-800-522-6752	VOLTAGE RATING: ---
FOR APPLICATION TOOLING INFORMATION	TOOLING ASSISTANCE CENTER 1-800-722-1111	CIRCULAR MIL AREA: 1.04-2.62mm² [2,050-5,180] STRANDED
FOR ORDER ENTRY	1-800-526-5142	THIS DRAWING IS A CONTROLLED DOCUMENT FOR AMP INCORPORATED. IT IS SUBJECT TO CHANGE AND THE CONTROLLING ENGINEERING ORGANIZATION SHOULD BE CONTACTED FOR THE LATEST REVISION.

THIS DRAWING IS A CONTROLLED DOCUMENT.	
DIMENSIONS: MM [ INCHES ]	TOLERANCES UNLESS OTHERWISE SPECIFIED:
	0 PLC ± - 1 PLC ± - 2 PLC ± - 3 PLC ± - 4 PLC ± - ANGLES ± -
MATERIAL - ②	FINISH ③

DWN TA BRINKMAN 2-16-93	Tyco Electronics Corporation Harrisburg, PA 17105-3608		
CHK DA PATTERSON 2-16-93			
APVD JL MECKLEY 2-16-93			
PRODUCT SPEC			
NAME	TERMINAL, LONG SPRING SPADE, BUDGET		
SIZE	CAGE CODE	DRAWING NO	RESTRICTED TO
A2	00779	C=53033	-
CUSTOMER DRAWING		SCALE	SHEET
		8:1	1 of 1
		REV	A1

单击下面可查看定价，库存，交付和生命周期等信息

[>>TE Connectivity\(泰科\)](#)