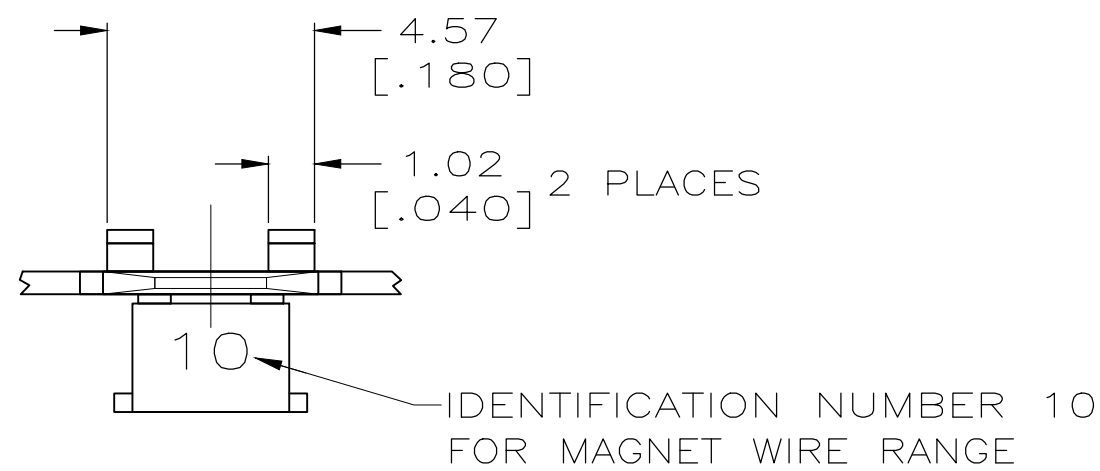
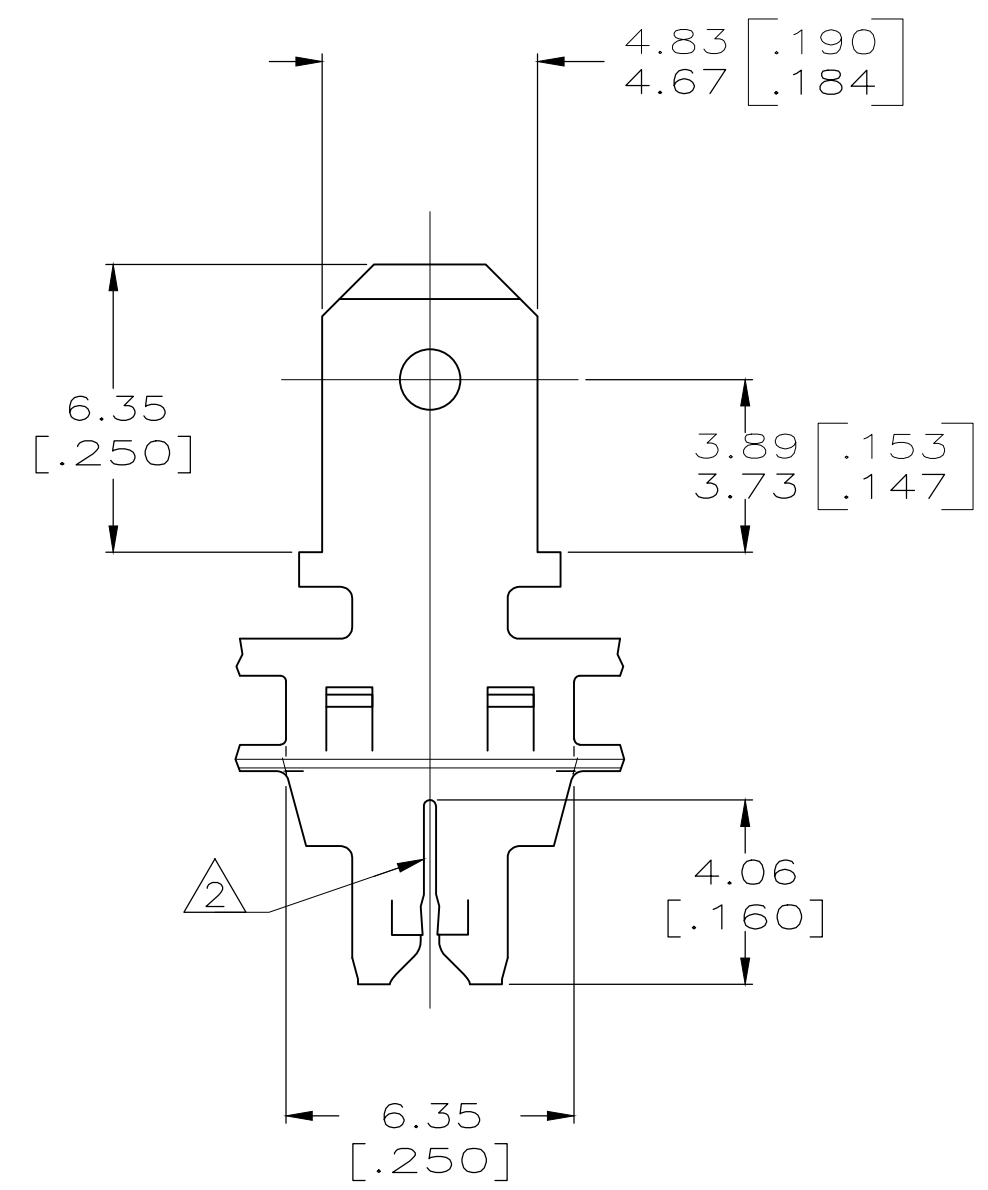
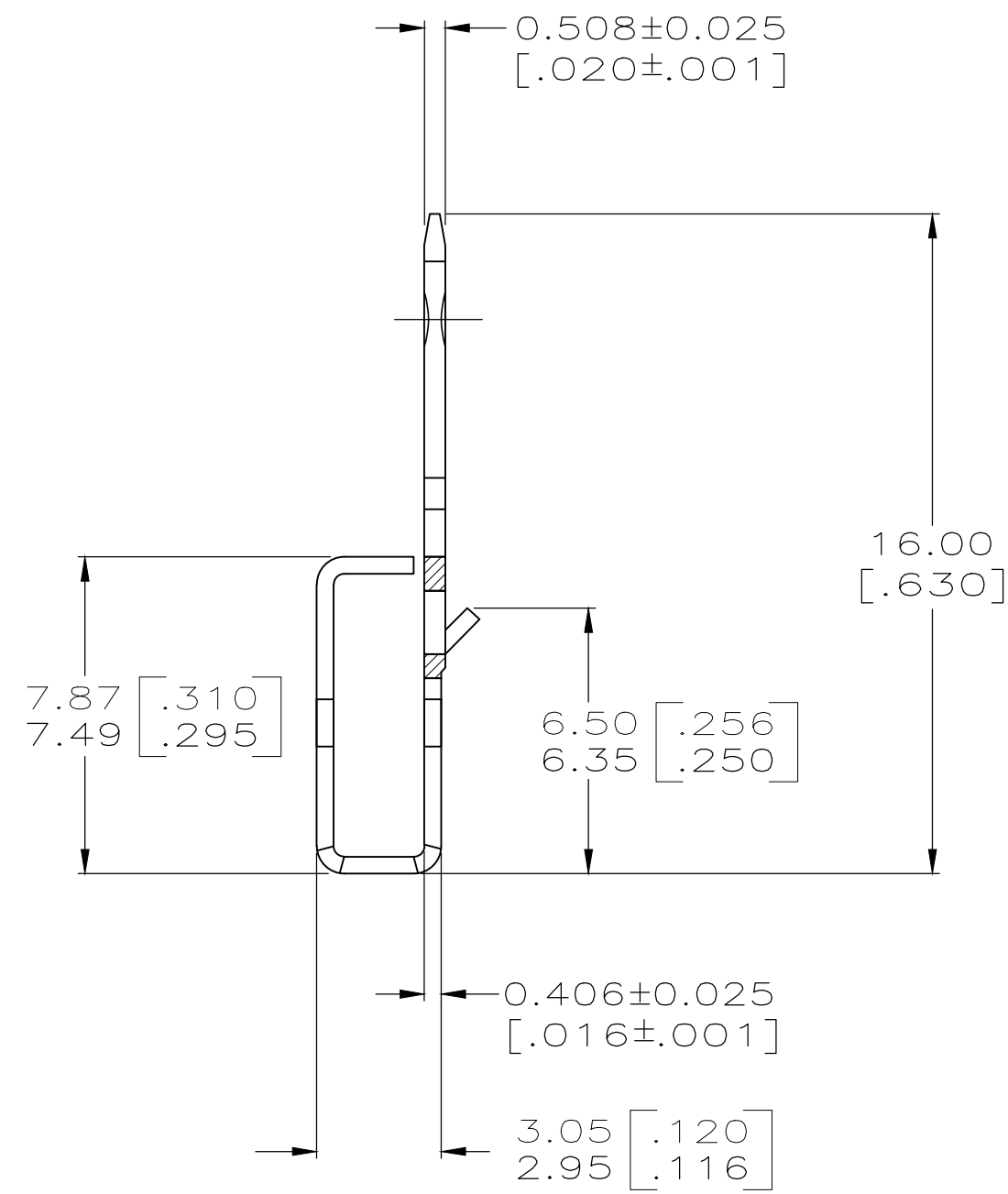
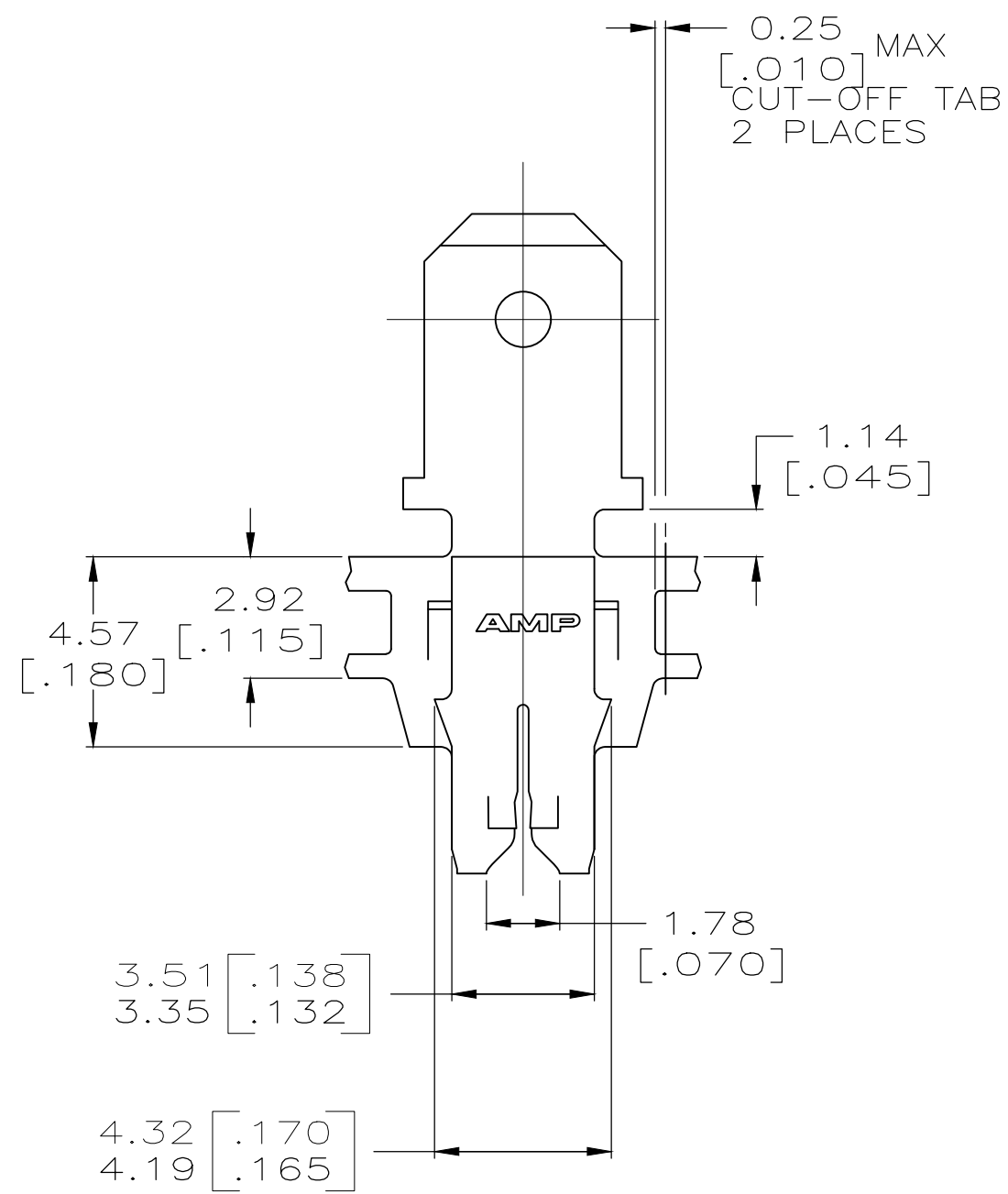


THIS DRAWING IS UNPUBLISHED. RELEASED FOR PUBLICATION
 © COPYRIGHT - By - ALL RIGHTS RESERVED.

LOC		DIST		REVISIONS			
P	LTR	DESCRIPTION		DATE	DWN	APVD	
AF	50	K2	REVISED PER ECR-19-013909		01OCT2019	PC	MB



1 CONTINUOUS STRIP ON REELS WITH TERMINALS LOCATED ON 8.38±0.08 [.330±.003] CENTERS.
 2 SLOT TERMINATES A SINGLE OR DOUBLE MAGNET WIRE OF THE SAME SIZE AND TYPE; COPPER RANGE: 0.36-0.57 mm [#27-#23] AWG; ALUMINIUM RANGE 0.51-0.64mm [#24-#22] AWG, ALUMINIUM WIRE RANGE APPLIES FOR POST TIN PLATED PART NUMBERS ONLY.



082 PRE-MILLED BRASS	63256-2
OBSOLETE 4M PRE-MILLED BRASS	63256-1
MATERIAL	PART NUMBER

THIS DRAWING IS A CONTROLLED DOCUMENT.		DWN 28/MAR/94 R.R. BUCHHEISTER JR.	TE TE Connectivity		
DIMENSIONS: INCHES		CHK 04/APR/94 MICHAEL S. FEHER			
TOLERANCES UNLESS OTHERWISE SPECIFIED:		APVD 04/APR/94 NELSON E NEFF	NAME TAB, 4.75 [.187] FASTON,™ MAG-MATE™		
0 PLC ± - 1 PLC ± - 2 PLC ± 0.25 [.010] 3 PLC ± - 4 PLC ± - ANGLES ± -		PRODUCT SPEC 108-2012	SIZE A2	CAGE CODE 00779	DRAWING NO C-63256
MATERIAL SEE CHART		FINISH TIN PLATED	WEIGHT -	SCALE 6:1	SHEET 1 OF 1
CUSTOMER DRAWING			REV K2	RESTRICTED TO -	

单击下面可查看定价，库存，交付和生命周期等信息

[>>TE Connectivity\(泰科\)](#)