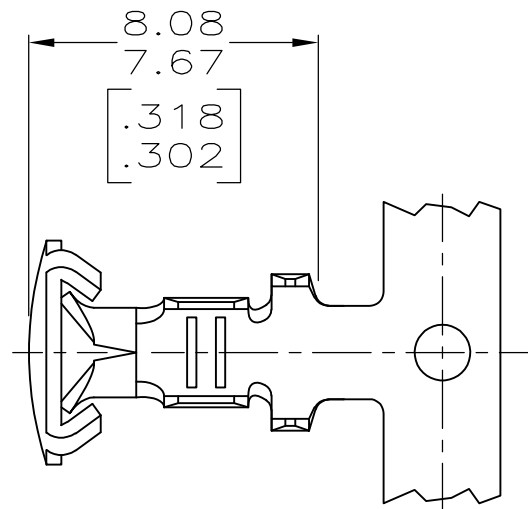


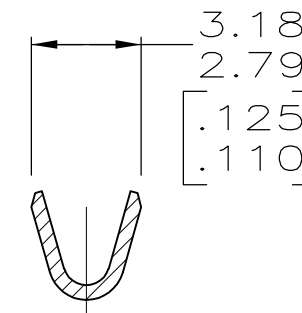
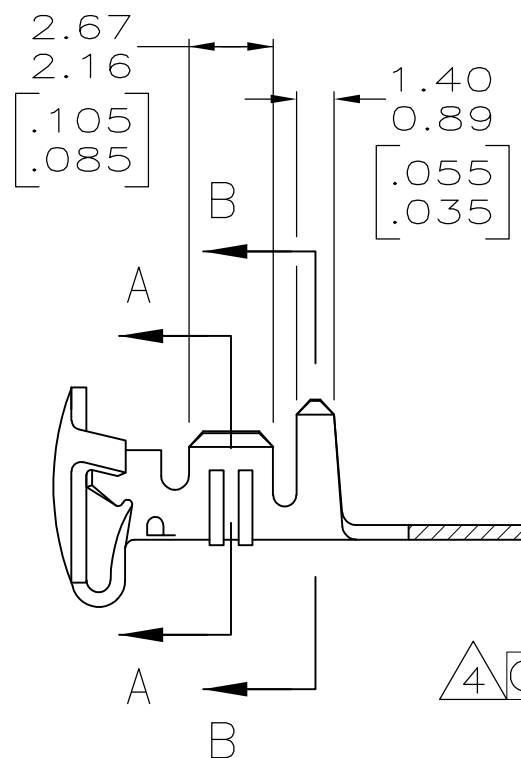
THIS DRAWING IS UNPUBLISHED. RELEASED FOR PUBLICATION ,19 .
 © COPYRIGHT 19 BY AMP INCORPORATED. ALL INTERNATIONAL RIGHTS RESERVED.

LOC	DIST	P	F	REVISIONS				
				ZONE	LTR	DESCRIPTION	DATE	APPD
AF	50				H	REV PER 0710-0427-95	27/SEP/95	PF DS
					H1	REV PER ECO-09-020932	07SEP09	AEG

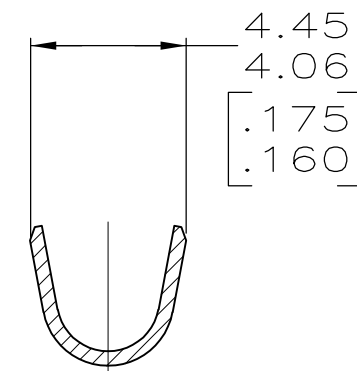


1. WIRE RANGE: 0.5 - 1.4 mm² [20 - 16 AWG].
2. INSULATION RANGE: 2.29 - 3.18 [.090 - .125] DIA.
3. DIMENSION IN BRACKETS ARE IN INCHES.

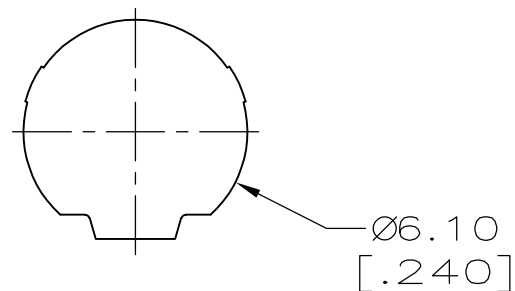
△ OBSOLETE PARTS: OBSOLETE CIS STREAMLINING PER D.RENAUD/D.SINISI



SECTION A-A



SECTION B-B



△ OBSOLETE

METRIC

THIS DRAWING IS A CONTROLLED DOCUMENT FOR AMP INCORPORATED. IT IS SUBJECT TO CHANGE AND THE CONTROLLING ENGINEERING ORGANIZATION SHOULD BE CONTACTED FOR THE LATEST REVISION.

MINI	-	505034-3
MINI	PRE TIN	505034-2
STANDARD	PRE TIN	505034-1
APPLICATOR TYPE	FINISH	PART NO
DO NOT SCALE PRINT. UNLESS SPECIFIED DIMENSIONS IN mm [INCHES] TOLERANCES ON: 2 PLC DEC ± 0.13 [.005] 3 PLC DEC ± - ANGLES ± -	DR 2-18-94 T. BECK CHK 2-18-94 R. SWING APPD 4-03-95 R. GRAY APPD 4-03-95 R. GRAY PRODUCT SPEC - APPLICATION SPEC - WEIGHT -	AMP Incorporated Harrisburg, PA 17105-3608
MATERIAL 0.41 [.016] BRASS	NAME BUTTON CONTACT	
FINISH SEE TABLE	SIZE B	CAGE CODE 00779
	SCALE 5:1	DRAWING NO C-505034
		SHEET 1 OF 1

单击下面可查看定价，库存，交付和生命周期等信息

[>>TE Connectivity\(泰科\)](#)