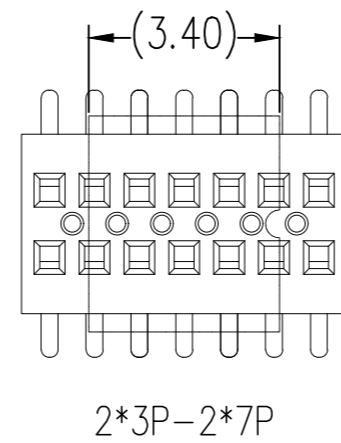
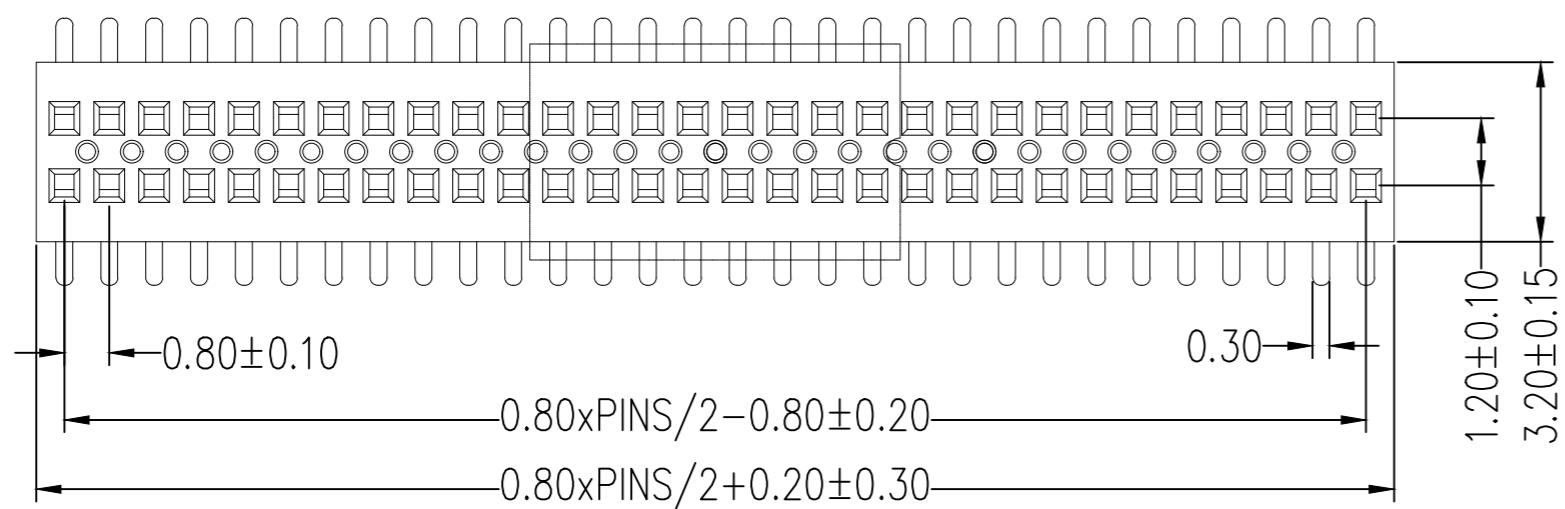


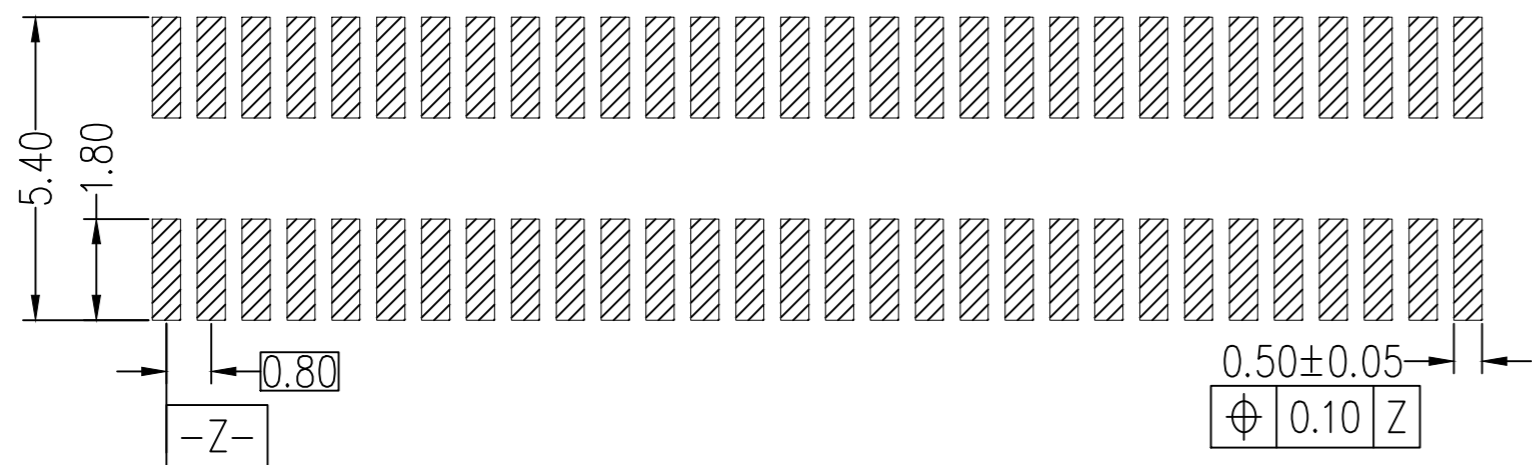
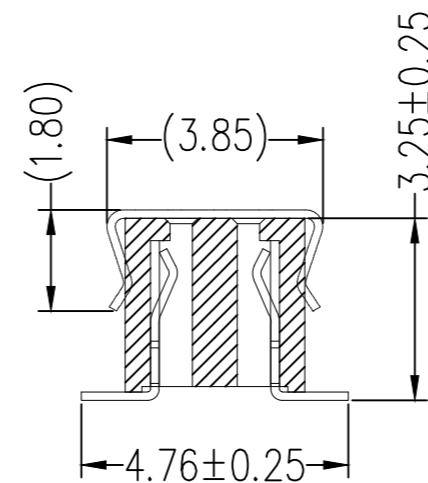
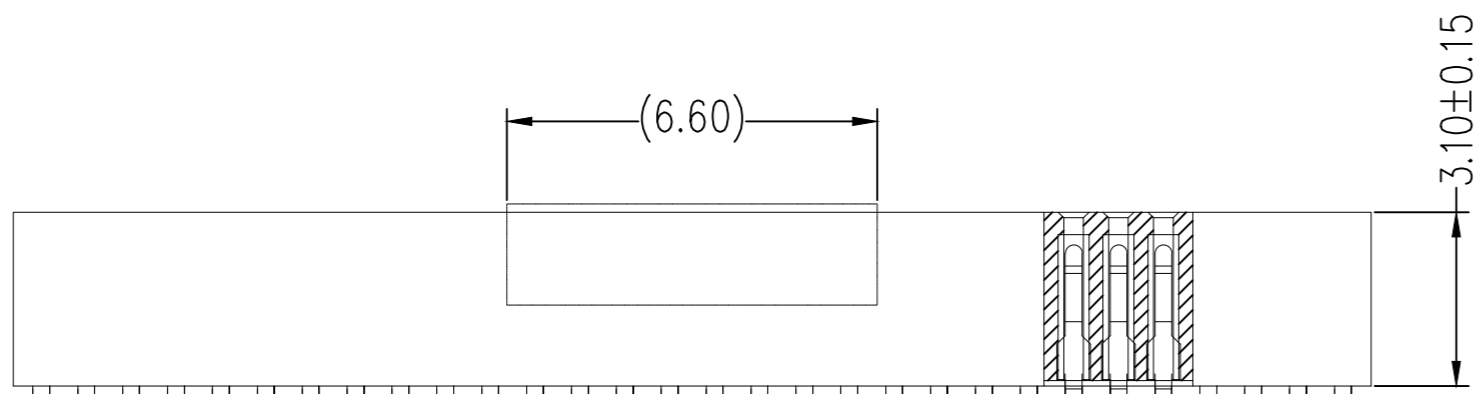
THIS DRAWING IS UNPUBLISHED. RELEASED FOR PUBLICATION
 © COPYRIGHT - TE Connectivity Ltd. ALL RIGHTS RESERVED.

REVISIONS				
P	LTR	DESCRIPTION	DATE	APVD
A		INITIAL RELEASE	27AUG2018	Z.W S.M



- NOTES:
- 1,Current Rating: 0.75AMP
 - 2,Contact Resistance: 20mΩ Max
 - 3,Withstand Voltage: 500V AC/DC
 - 4,Insulation Resistance: 1000MΩ Min
 - 5,Operation Temperature: -40°C to +105°C
 - 6,Contact Material: Copper alloy
 - 7,Contact Plating: Gold over nickel
 - 8,Insulator Material: High Temperature Plastic, UL94V-0, BK

Recommended soldering process:
 IR Soldering,Peak temperature: 260°C,5s



RECOMMENDED P.C.B LAYOUT
 (COMPONENT SIDE)

TUBE	100	TBD
TUBE	12	1-2271989-2
TUBE	6	2271989-6
PACKING	PINS	PN
PRODUCT FAMILY TABLE		

THIS DRAWING IS A CONTROLLED DOCUMENT.		DWN	ZHANG WEI	27AUG2018	 TE Connectivity Ltd.		
DIMENSIONS: mm		CHK	GEORGE FU	27AUG2018			
TOLERANCES UNLESS OTHERWISE SPECIFIED:		APVD	SHI MING	27AUG2018			
0 PLC ± - 1 PLC ± 0.25 2 PLC ± 0.25 3 PLC ± - 4 PLC ± - ANGLES ± - FINISH -		NAME		RECEPTACLE,0.8MM PITCH,SMT TYPE DUAL ROW			
MATERIAL		WEIGHT		SIZE	CAGE CODE	DRAWING NO	RESTRICTED TO
-		-		A2	00779	C=2271989	-
CUSTOMER DRAWING				SCALE	1:1	SHEET	1 of 1
				REV	A		

单击下面可查看定价，库存，交付和生命周期等信息

[>>TE Connectivity\(泰科\)](#)