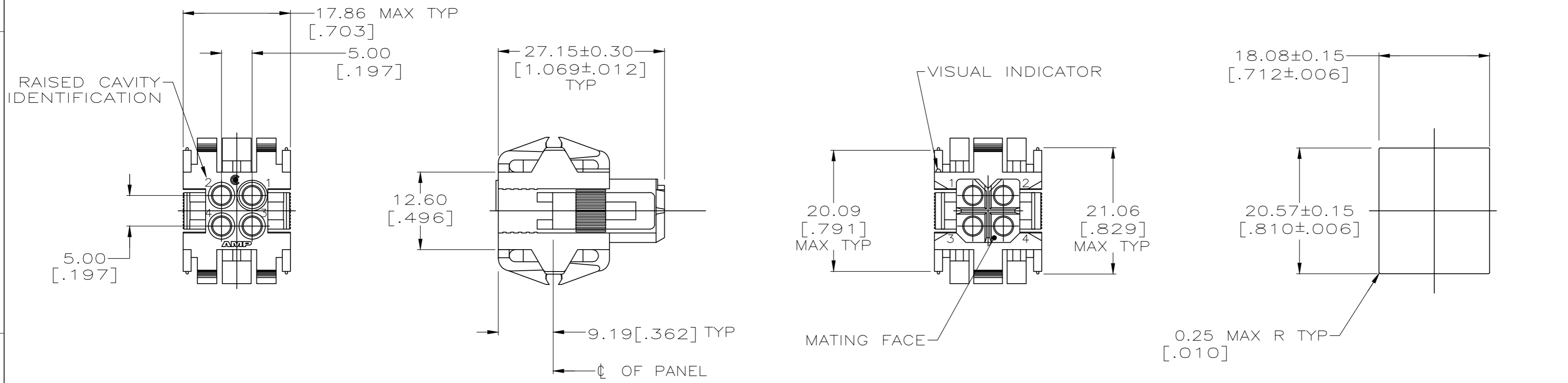


REVISIONS				
P	LTR	DESCRIPTION	DATE	APVD
W		REVISED PER ECO-20-002227	19FEB2020	RK MZ



PANEL CUTOUT

- PANEL RETENTION MECHANISM ACCOMMODATES PANEL THICKNESSES FROM 0.76[.030] TO 2.29[.090].
- SAME AS 207015-1 EXCEPT: ROUNDED EDGES ON THE OUTSIDE OF THE HOUSING AND A 45° ANGLE ON THE OUTSIDE OF THE HOUSING BY THE LOCKING LATCHES, REF 928095.
- HOUSING MATERIAL: PA66, BLACK, UL 94 V-0 RATED.

207015-2
207015-1
PART NO

THIS DRAWING IS A CONTROLLED DOCUMENT.		DWN W.LENKER 08/26/92	TE Connectivity				
DIMENSIONS: mm [INCHES]		CHK R.STONE 8-31-92					
TOLERANCES UNLESS OTHERWISE SPECIFIED:		APVD A.TRAVIS 9-2-92	NAME HOUSING, PLUG, 4 POSITION, METRIMATE				
0 PLC ± - 1 PLC ± - 2 PLC ± 0.25 [.010] 3 PLC ± - 4 PLC ± - ANGLES ± - FINISH -		PRODUCT SPEC 108-10033	SIZE A2	CAGE CODE 00779	DRAWING NO 207015	RESTRICTED TO -	
MATERIAL 3		WEIGHT -	CUSTOMER DRAWING		SCALE 2:1	SHEET 1 of 1	REV W

单击下面可查看定价，库存，交付和生命周期等信息

[>>TE Connectivity\(泰科\)](#)