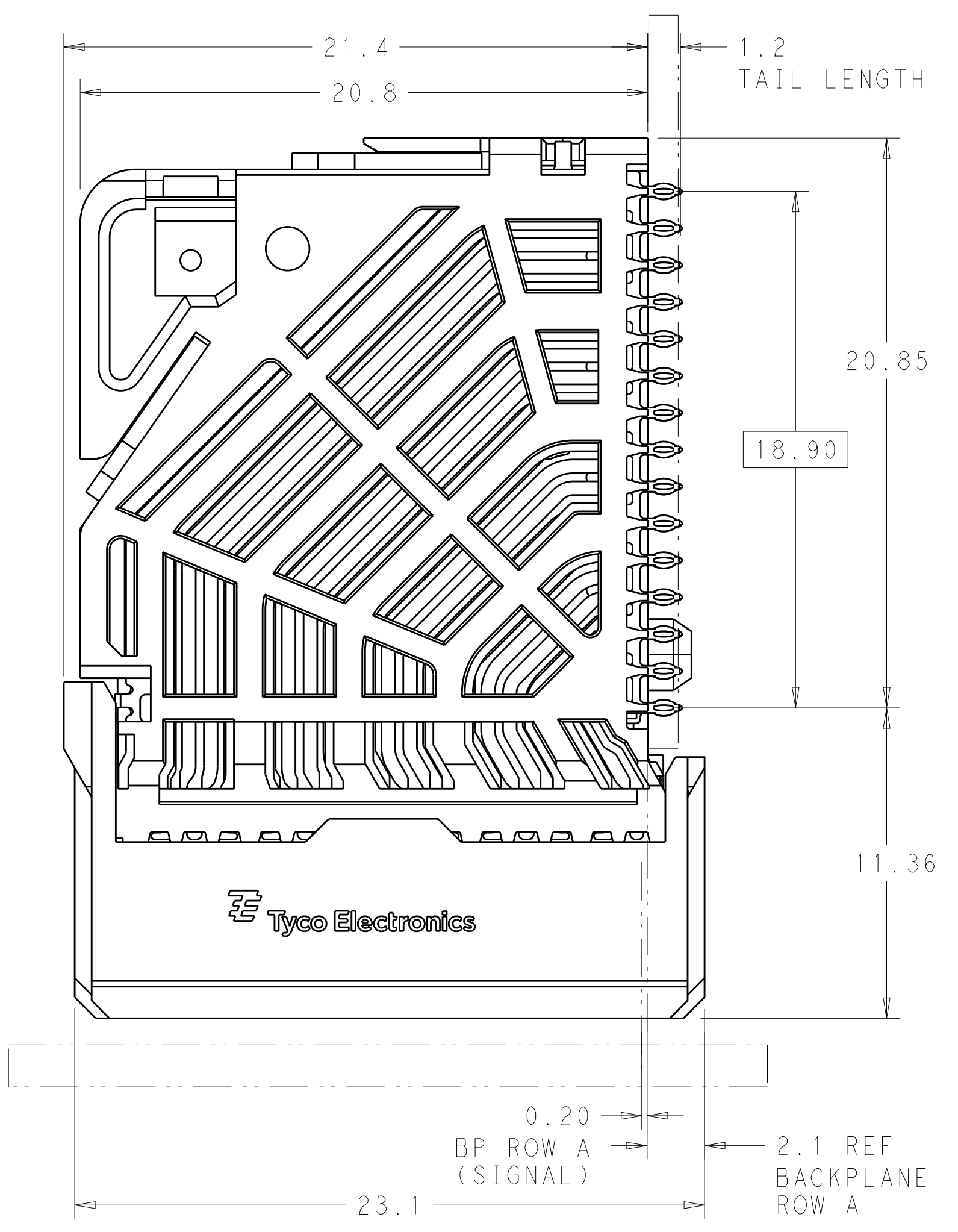
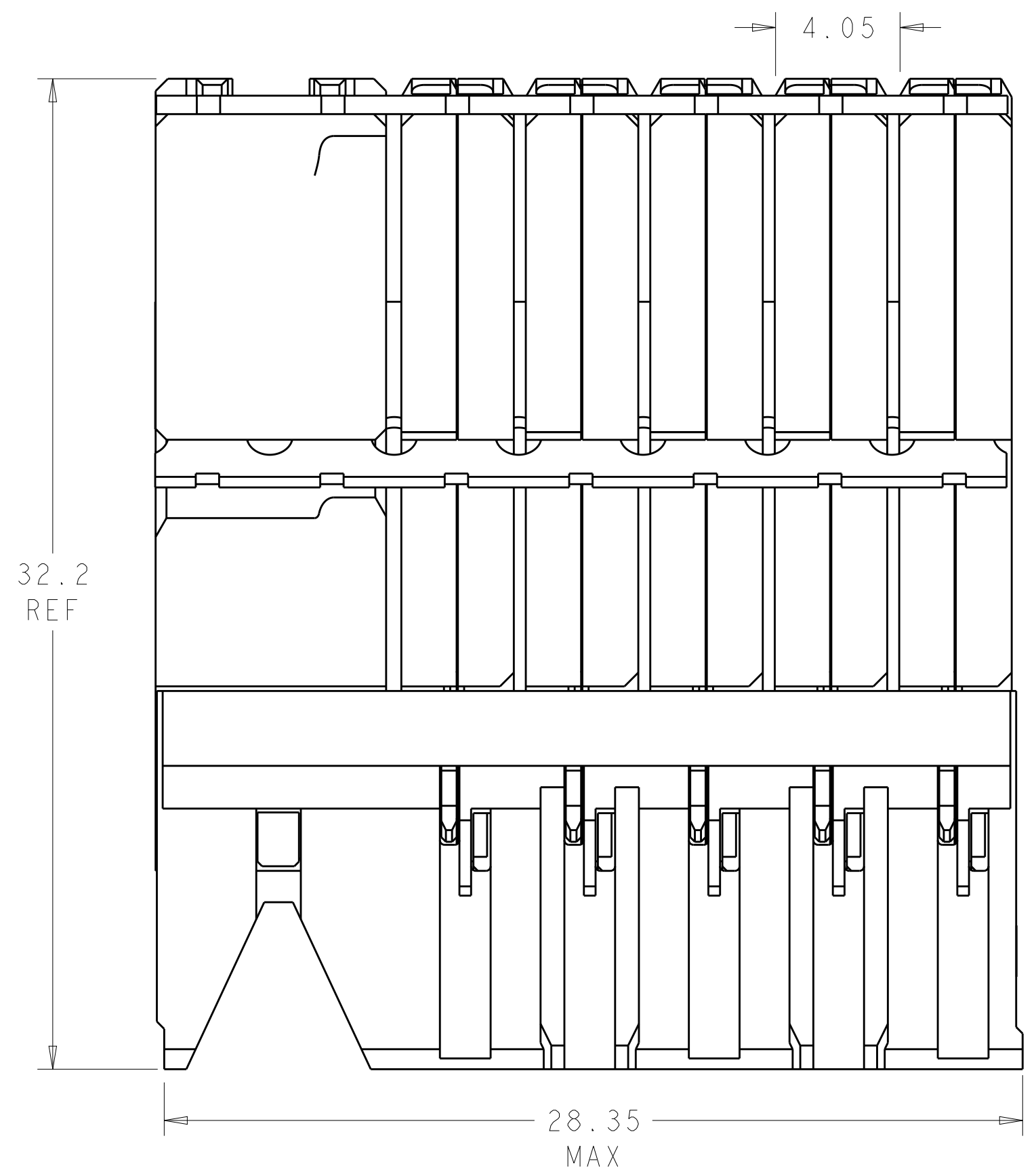
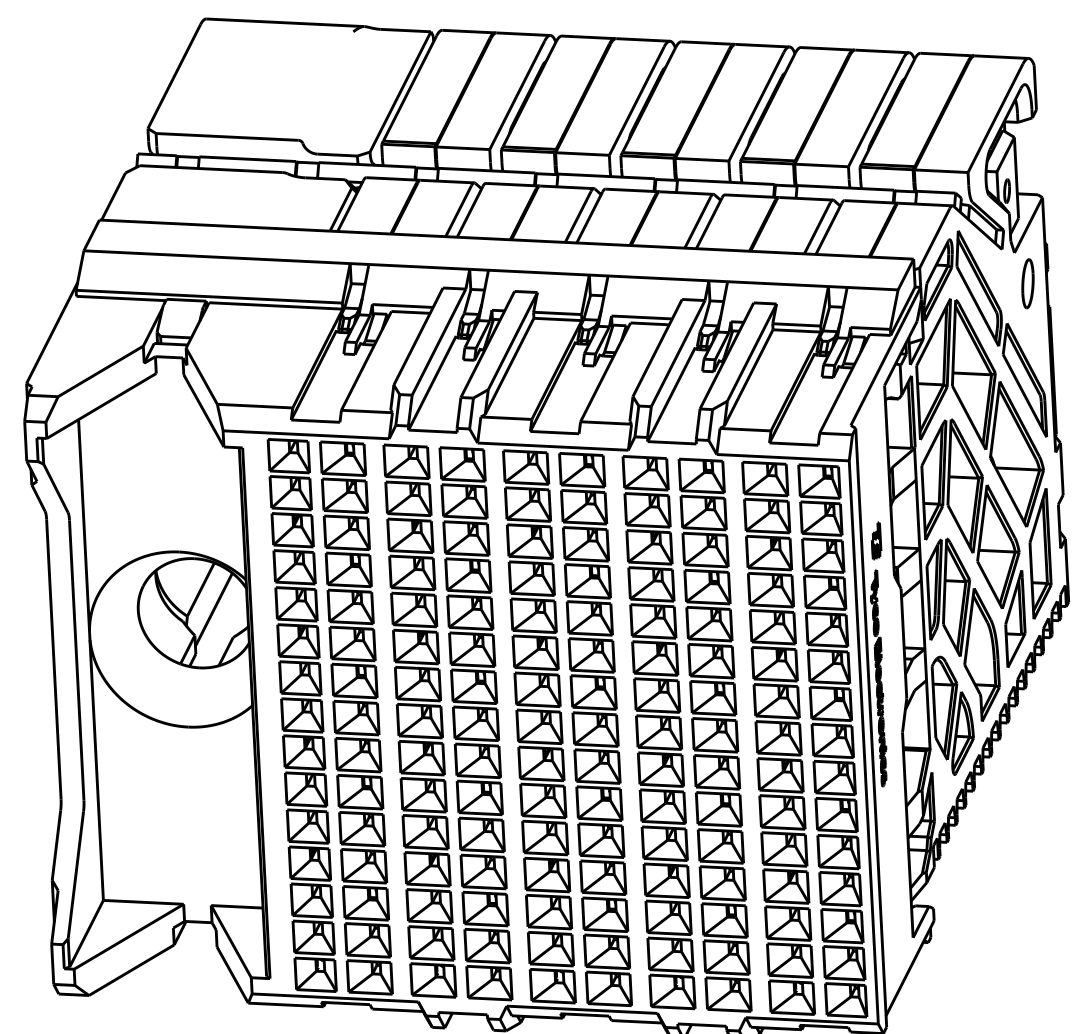


LOC	DIST	REVISIONS			
AD	00	REV	DATE	BY	APPV
		C	REVISED PER ECO-15-004915	13APR2015	AP DD

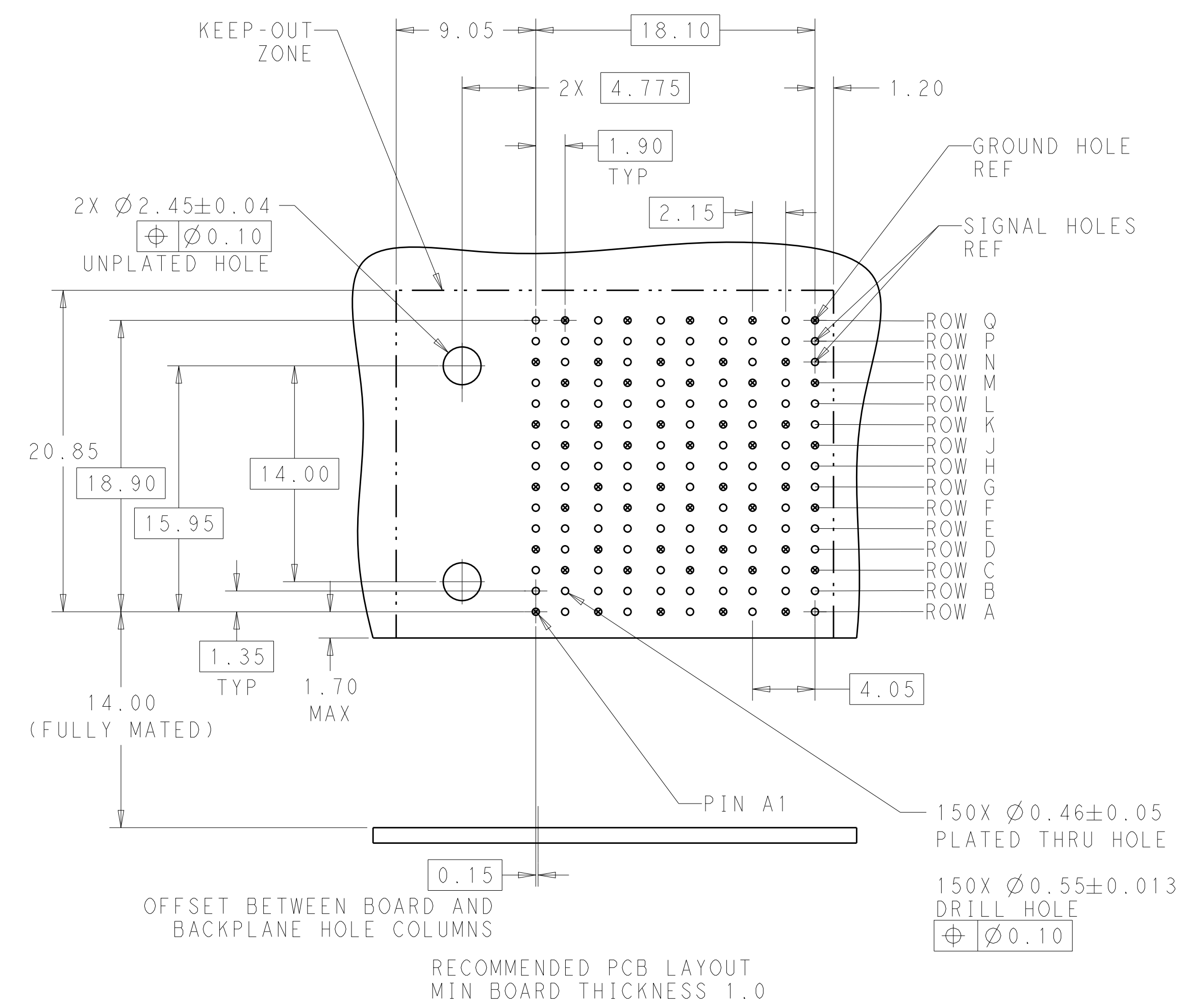
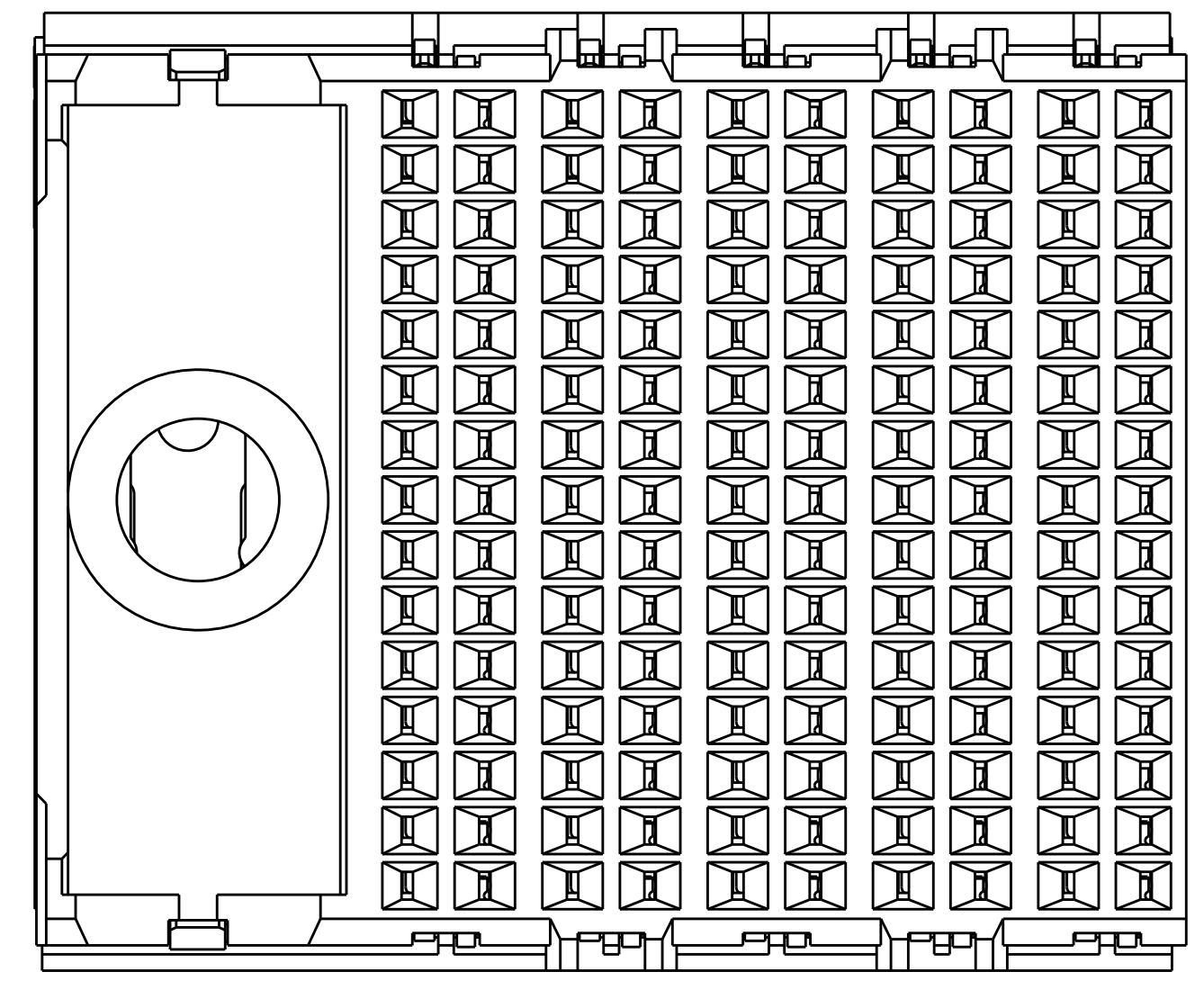


- ⚠ MATERIAL:  
HOUSING: LCP, GLASS FILLED, UL94V-0.  
TERMINALS: HIGH PERFORMANCE COPPER ALLOY.
- ⚠ FINISH:  
30µ" SELECTIVE GOLD IN CONTACT AREA. SELECTIVE TIN ON PCB TAILS, NICKEL OVERALL.
- 3. CONNECTORS SUPPLIED WITH MOUNTING SCREWS.



SCALE 4:1

REFER TO WWW.TE.COM FOR PRODUCT AVAILABILITY



NONE	△	2132702-1
KEY POSITION	FINISH	PART NUMBER
<b>STE</b> TE Connectivity		
DWN: 29APR2011 CHK: D. DIXON 29APR2011 APVD: D. DIXON 29APR2011		NAME: IMPACT, ORTHOGONAL, 5 PAIR, DAUGHTERCARD, 10 COLUMN, LEFT GUIDED, SIGNAL MODULE, 0.46 EYELET
DIMENSIONS: mm 0 PLC ±0.25 1 PLC ±0.15 2 PLC ±0.15 3 PLC ±0.15 4 PLC ±0.15 ANGLES ±0.15		RESTRICTED TO: A100779C=2132702
MATERIAL: SEE TABLE		SCALE: 6:1 SHEET 1 OF 1 REV C

单击下面可查看定价，库存，交付和生命周期等信息

[>>TE Connectivity\(泰科\)](#)