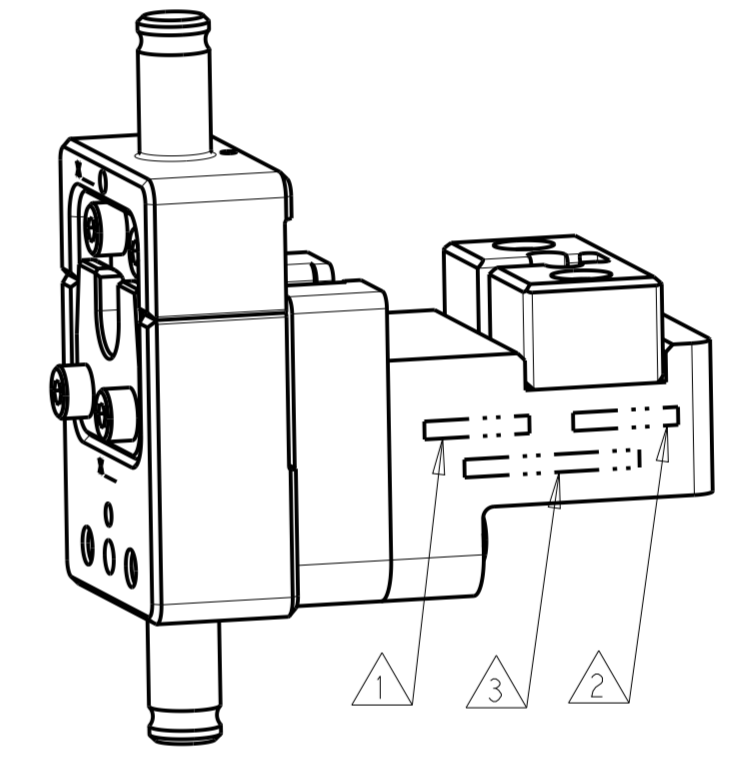
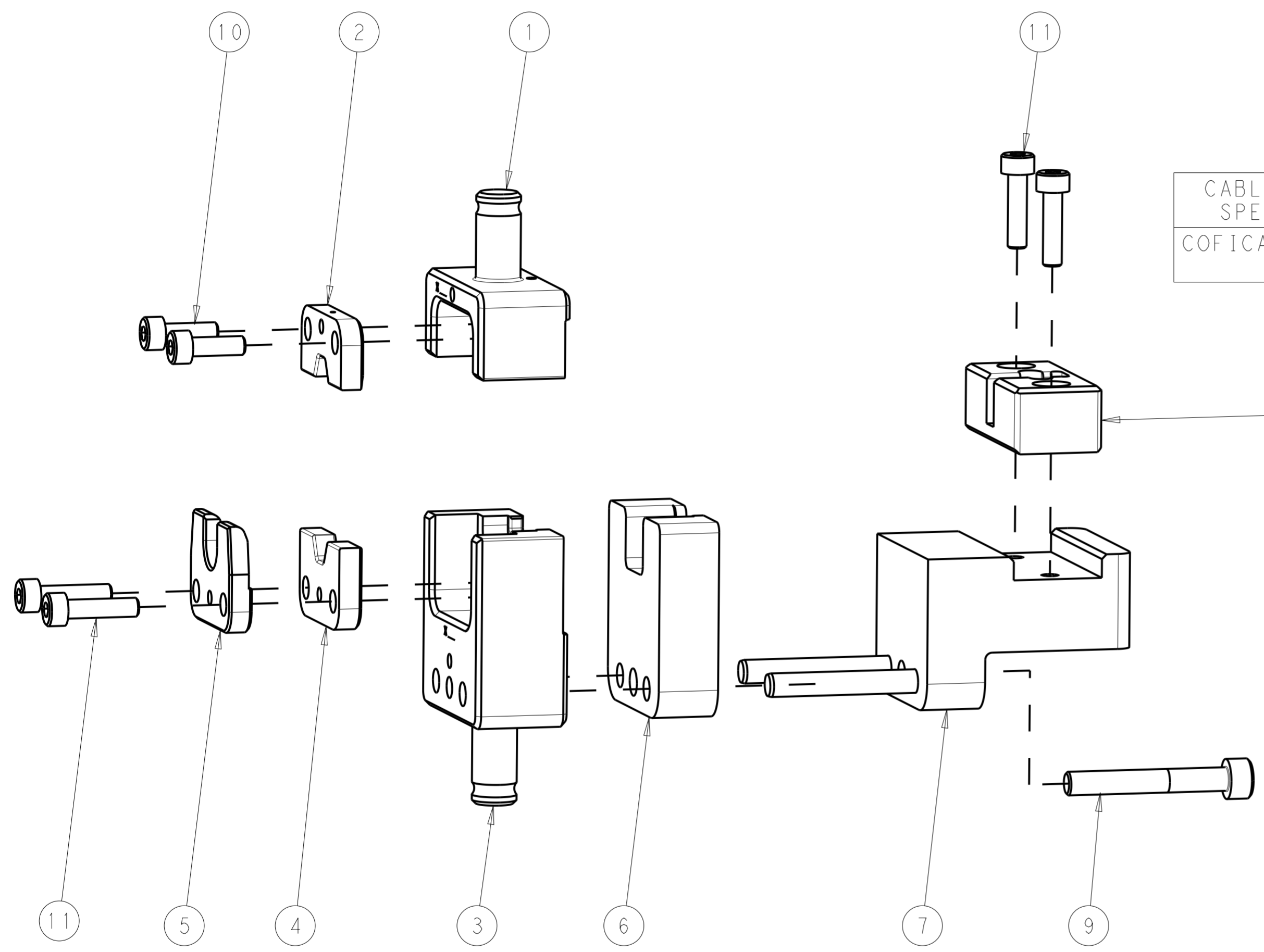


PART NUMBER	REV	DESCRIPTION
2234157-1	A	HV DIE SET
7-2234157-7	A	CRIMP TOOLING KIT
9-2234157-1	A	DIE SET WITH DIE HOLDER

REVISIONS				
P	LTR	DESCRIPTION	DATE	APVD
2		UPDATED	07MAY2020	JL YY
3		UPDATED	13AUG2020	JL YY
A		RELEASED	26MAR2021	JL YY
A1		ECR-21-003827	30MAR2021	JL YY

TERMINAL NAME	FERRULE, PCON12		
TERMINAL PART NUMBER	2310221-1	2310222-1	2840575-2
APPLICATION SPECIFICATION	114-94518 REV.C		
REFERENCE DRAWING	3-528041-7		
USED ON	2305470-1 W FA	2326378-1W/O FA	
INSTRUCTION SHEET	408-35074		

CABLE SUPPLIER/ SPECIFICATION	CABLE SIZE	INSULATION CRIMP HEIGHT	SHIELD CRIMP HEIGHT	REFERENCE SETTING
COFICAB FHLR2GCB2G /LV216	16MM ²	9.8±0.2	10.65±0.2	C7



1	-	-	2305470-1	HV DIE HOLDER WITH FINE ADJUST	100
4	2	4	1-18023-3	SCR, SKT HD CAP M4 X 16.0	11
2	2	2	1-18023-2	SCR, SKT HD CAP M4 X 12.0	10
1	-	1	8-18023-4	SCR, SKT HD CAP M5 X 35.0	9
1	-	1	2361412-3	BLOCK, TERMINAL	8
1	-	1	2365901-3	HOUSING, LOCATOR	7
1	-	1	2234174-2	LOCATOR, FERRULE	6
1	-	1	1-2326585-3	STOP, SHIELD	5
1	1	1	2326593-7	INSERT, LOWER HV800-90 FERRULE	4
1	1	1	2326591-3	NEST HVM HEX	3
1	1	1	2326594-5	INSERT, UPPER HV800-90 FERRULE	2
1	1	1	2326592-3	CRIMPER HVM HEX	1
-91	-77	-1	PART NO	DESCRIPTION	ITEM NO

- △1 APPLY "DIE SET PN" PER TEC-115-67-2 IN APPROXIMATE AREA SHOWN.
- △2 IDENTIFY PART NUMBER AND REVISION LETTER PER TEC-115-67-2 IN APPROXIMATE AREA SHOWN.
- △3 IDENTIFY SERIAL NUMBER PER TEC-115-67-2 IN APPROXIMATE AREA SHOWN.
- 4. TORQUE RECOMMENDATIONS PER 101-35000 UNLESS OTHERWISE SPECIFIED.

THIS DRAWING IS A CONTROLLED DOCUMENT.

DIMENSIONS: mm	TOLERANCES UNLESS OTHERWISE SPECIFIED: 0 PLC ± 1 PLC ± 2 PLC ± 3 PLC ± 4 PLC ± ANGLES ± FINISH	DWN A. JIANG 24MAY2019 CHK Y. YIN 24MAY2019 APVD Y. YIN 24MAY2019	TE Connectivity NAME DIE SET PCON 12-2P F 16MM2
MATERIAL		PRODUCT SPEC APPLICATION SPEC WEIGHT SIZE CAGE CODE DRAWING NO A200779 C-2234157 RESTRICTED TO	
CUSTOMER ACCESSIBLE PRODUCTION DRAWING			SCALE 1:2 SHEET 1 OF 1 REV A1

单击下面可查看定价，库存，交付和生命周期等信息

[>>TE Connectivity\(泰科\)](#)