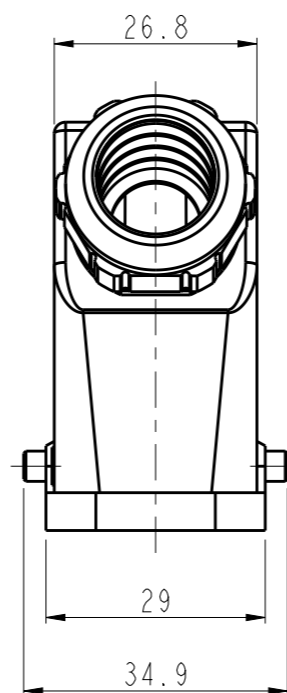
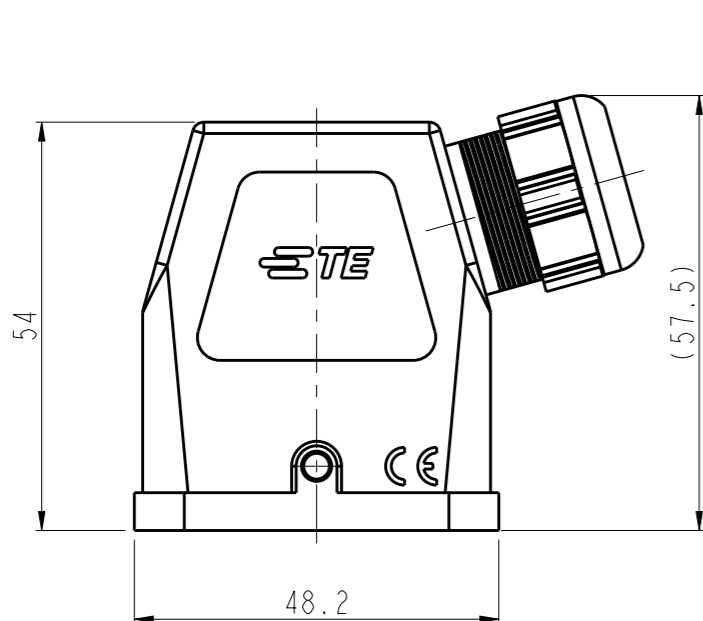


THIS DRAWING IS UNPUBLISHED. RELEASED FOR PUBLICATION 20
 © COPYRIGHT 20 BY - ALL RIGHTS RESERVED.

REVISIONS					
P	LTR	DESCRIPTION	DATE	DWN	APVD
	A	INITIAL	08JUL2017	QY	CW
	A1	ECR-18-000639	17JAN2018	QY	CW
	A2	ECR-18-011761	10AUG2018	AL	CW
	B	ECR-20-008412	26NOV2020	BS	CW

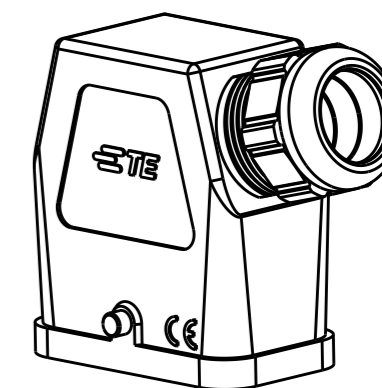
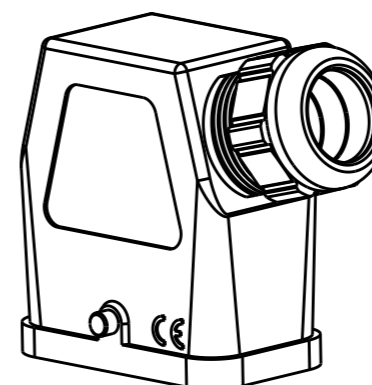


NOTES:

- 1. TECHNICAL CHARACTERISTICS:
 HOOD MATERIAL: POLYAMIDES
 SURFACE COLOR: BLACK
 DEGREE OF PROTECTION: IP65 (MATED)

注释:

- 1. 技术参数:
 外壳材料: 尼龙
 颜色: 黑色
 防护等级: IP65(配合)



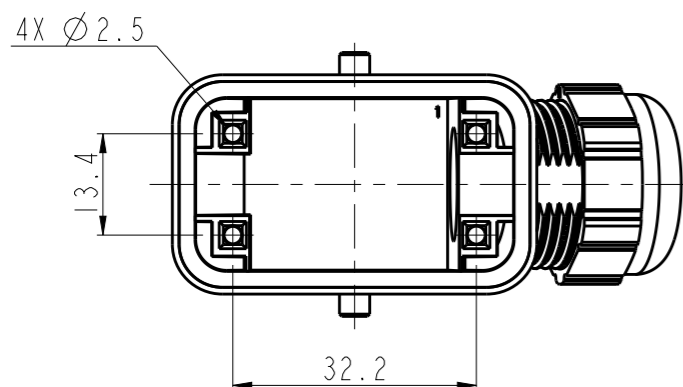
TYPE-2: NO LOGO

类型-2: 无 LOGO

TYPE-1: TE LOGO

类型-1: TE LOGO

ALL THE DIMENSION ARE THE SAME WITH TYPE-1,
 EXCEPT THE LOGO.
 除了LOGO, 所有尺寸与类型-1一致.



T1359090116-002	H8A-TS-PG16	H8A PLASTIC HOOD,SIDE ENTRY PG16, 2 EAR,BLACK(11.5-15.5) NO LOGO H8A 塑料上壳,侧出PG16,2耳,黑色(11.5-15.5),无LOGO	TYPE-2 类型-1
T1359090116-000	H8A-TS-PG16	H8A PLASTIC HOOD,SIDE ENTRY PG16, 2 EAR,BLACK(11.5-15.5) H8A 塑料上壳,侧出PG16,2耳,黑色(11.5-15.5)	TYPE-1 类型-1
PART NUMBER 料号	PART DESCRIPTION 描述		TYPE 类型

THIS DRAWING IS A CONTROLLED DOCUMENT.		DWN 08JUL2017 QIANG YUAN	TE Connectivity	
DIMENSIONS: mm		CHK 08JUL2017 GINO YAO		
TOLERANCES UNLESS OTHERWISE SPECIFIED: ACC. to ISO 2768-M		APVD 08JUL2017 CHRIS WANG	NAME H8A-TS-PG16	
0 PLC ±- 1 PLC ±- 2 PLC ±- 3 PLC ±- 4 PLC ±- ANGLES - ±		PRODUCT SPEC 108-137137	RESTRICTED TO	
MATERIAL		APPLICATION SPEC 114-137137	SIZE A3	CAGE CODE 00779
FINISH		WEIGHT	DRAWING NO G-T1359090116000	
		CUSTOMER DRAWING	SCALE 1:1	SHEET 1 OF 1
			REV B	

单击下面可查看定价，库存，交付和生命周期等信息

[>>TE Connectivity\(泰科\)](#)