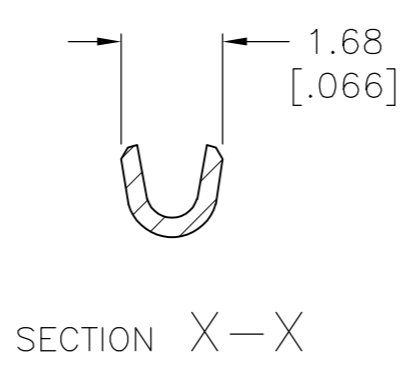
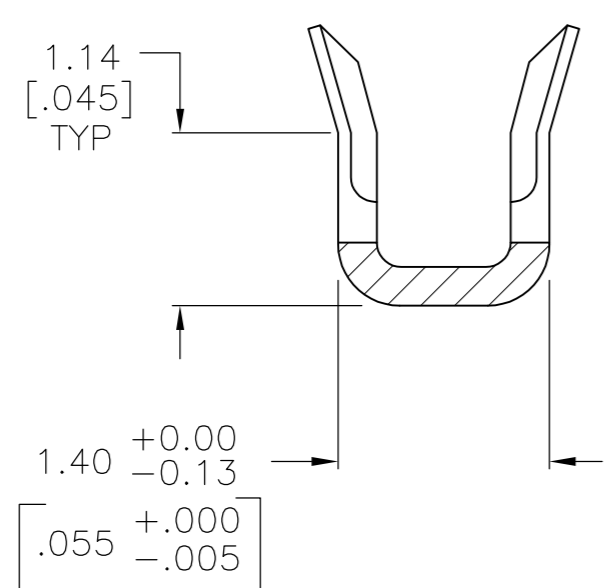
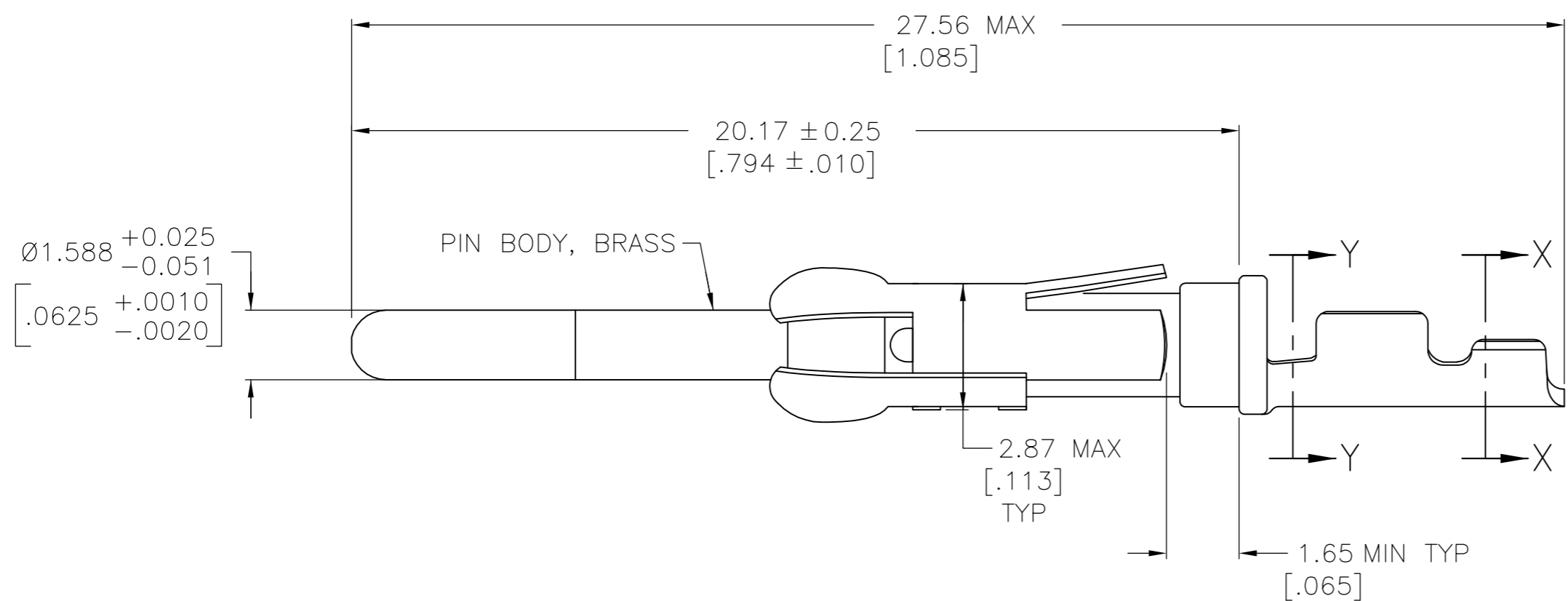
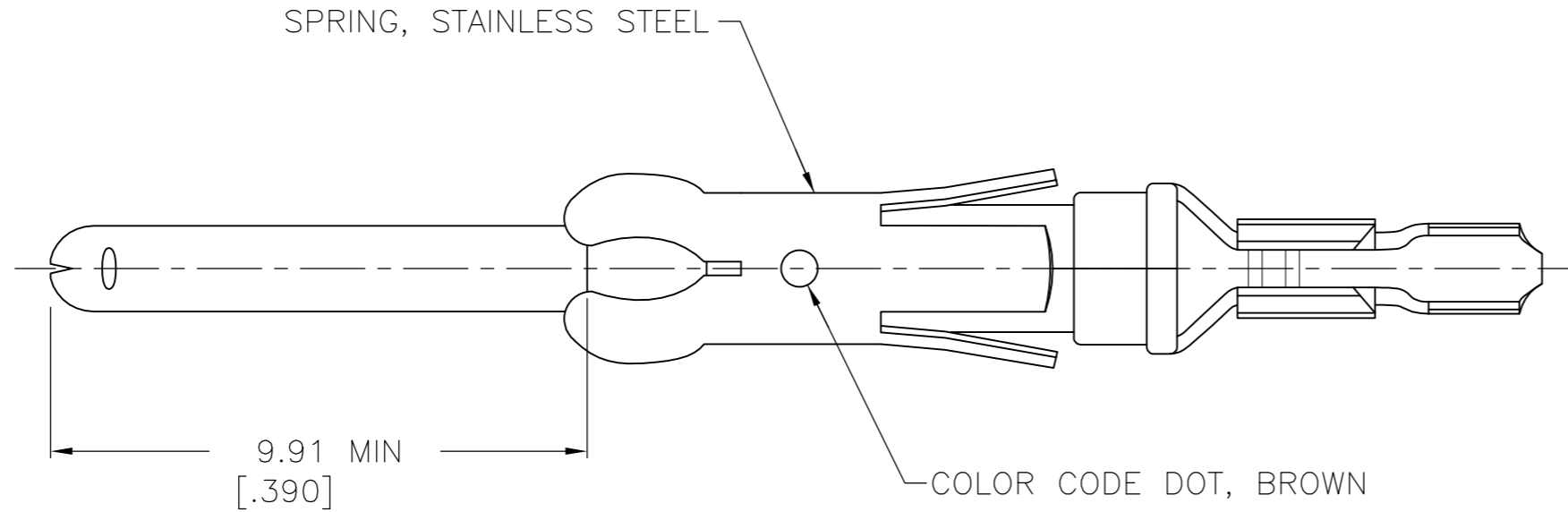


THIS DRAWING IS UNPUBLISHED. RELEASED FOR PUBLICATION
 © COPYRIGHT - By - ALL RIGHTS RESERVED.

REVISIONS				
P	LTR	DESCRIPTION	DATE	APVD
R1		REVISED PER ECO-16-004223	21JUL2016	NK MZ



SECTION Y-Y
SCALE 20:1

- 1 0.76µm[.000030] MIN PRECIOUS METAL PLATE ON MATING END FOR A LENGTH OF 5.08 [.200] MIN WITH A UNIFORM GRADIENT TO 0.25µm [.000010] ON REMAINDER, OVER 1.27µm[.000050] MIN NICKEL PLATE. GOLD FLASH ALL OVER. CONFORMS TO THE REQUIREMENTS OF TYCO ELECTRONICS PRODUCT SPEC 108-10042, BASED ON EIA/ECA-364-1000.01A (CONTROLLED ENVIRONMENT APPLICATIONS).
- 2 0.76µm[.000030] MIN PRECIOUS METAL PLATE ON MATING END FOR A LENGTH OF 5.08 [.200] MIN WITH 1.27µm[.000050]MIN MATTE TIN PLATE IN WIRE CRIMP AREA, BOTH OVER 1.27µm [.000050] MIN NICKEL PLATE. CONFORMS TO THE REQUIREMENTS OF TYCO ELECTRONICS PRODUCT SPEC 108-10042, BASED ON EIA/ECA-364-1000.01A (CONTROLLED ENVIRONMENT APPLICATIONS).
- 3 WIRE RANGE 26-30 AWG.
- 4 INSULATION RANGE 0.36[.014]-0.76[.030] DIA.

OBSOLETE	2	66393-4	66406-4
	1	66393-1	66406-1
	FINISH	STRIP P/N REF	PART NO.

THIS DRAWING IS A CONTROLLED DOCUMENT.		DWN	H MOLL	9-27-90											
DIMENSIONS: mm [INCHES]		CHK	J.MCCLINTON	12-15-90											
TOLERANCES UNLESS OTHERWISE SPECIFIED:		APVD	A. BOULLIANNE	12-10-90											
0 PLC ± - 1 PLC ± - 2 PLC ± 0.13[.005] 3 PLC ± - 4 PLC ± - ANGLES ± -		PRODUCT SPEC	-						NAME	PIN ASSEMBLY, LOOSE PIECE, TYPE III+					
MATERIAL	SEE CALL OUT	FINISH	PIN BODY:SEE TABLE		WEIGHT	-		SIZE	A2	CAGE CODE	00779	DRAWING NO	C=66406	RESTRICTED TO	-
CUSTOMER DRAWING					SCALE	8:1		SHEET	1 OF 1		REV	R1			

单击下面可查看定价，库存，交付和生命周期等信息

[>>TE Connectivity\(泰科\)](#)