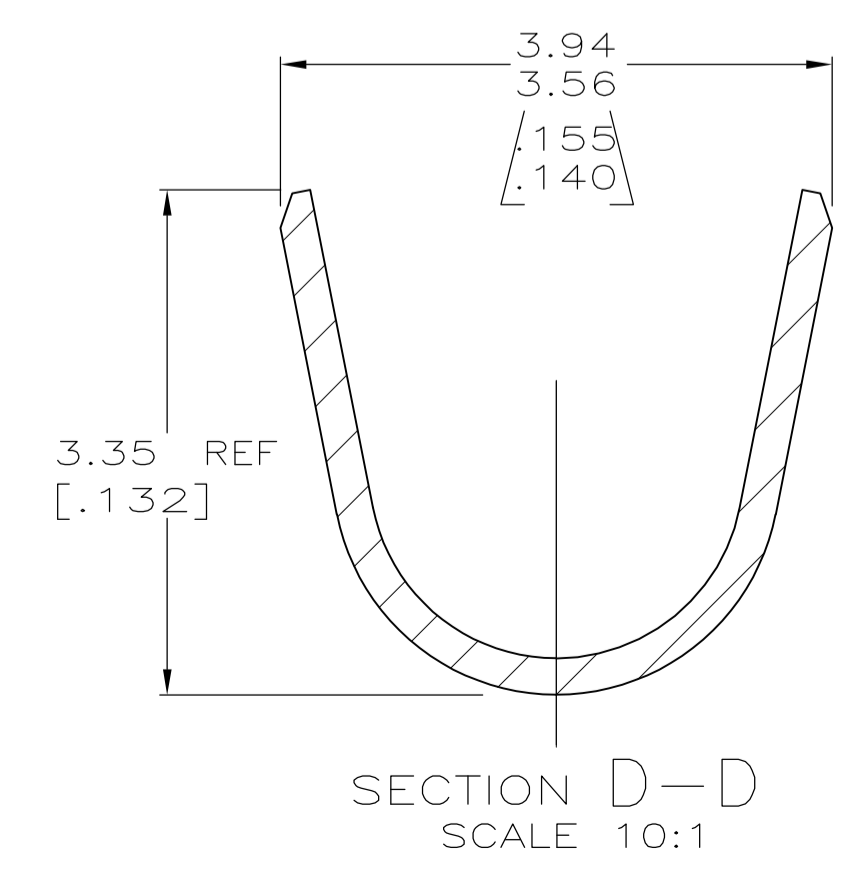
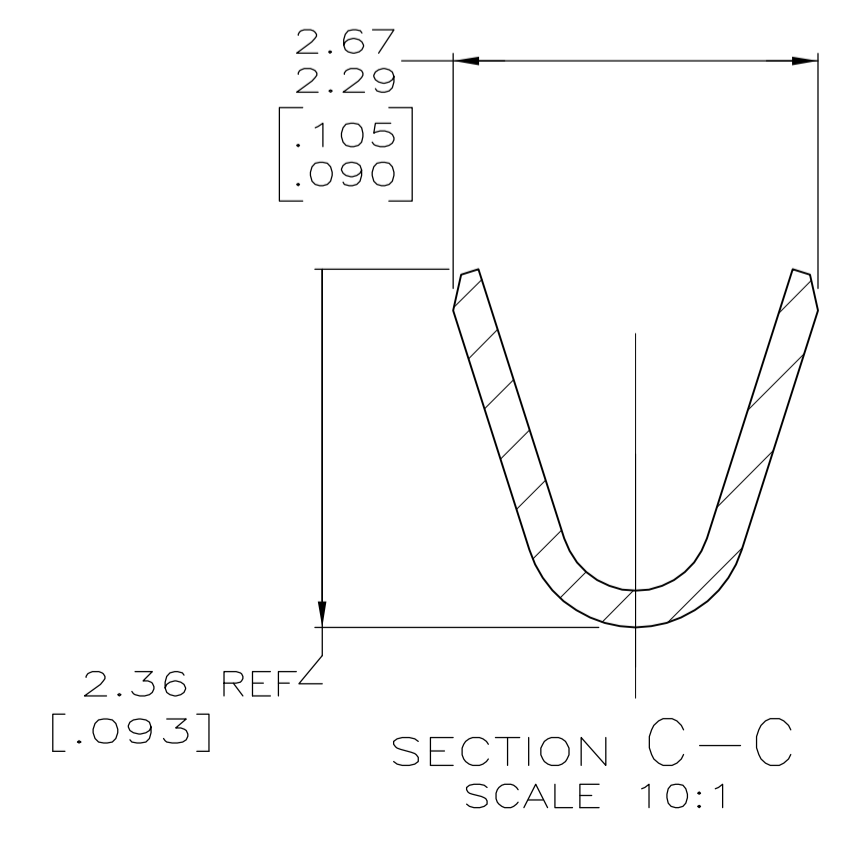
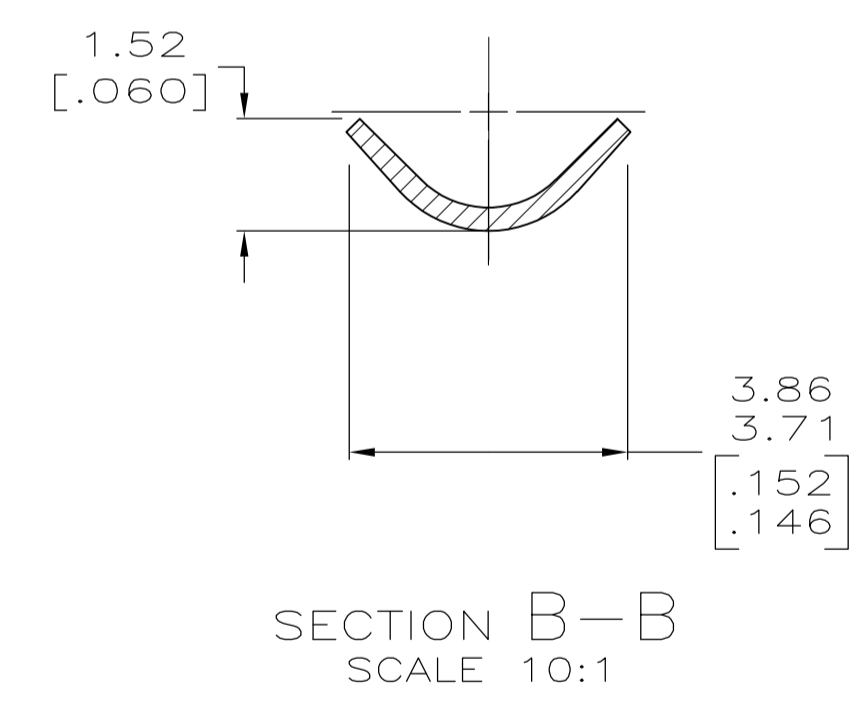
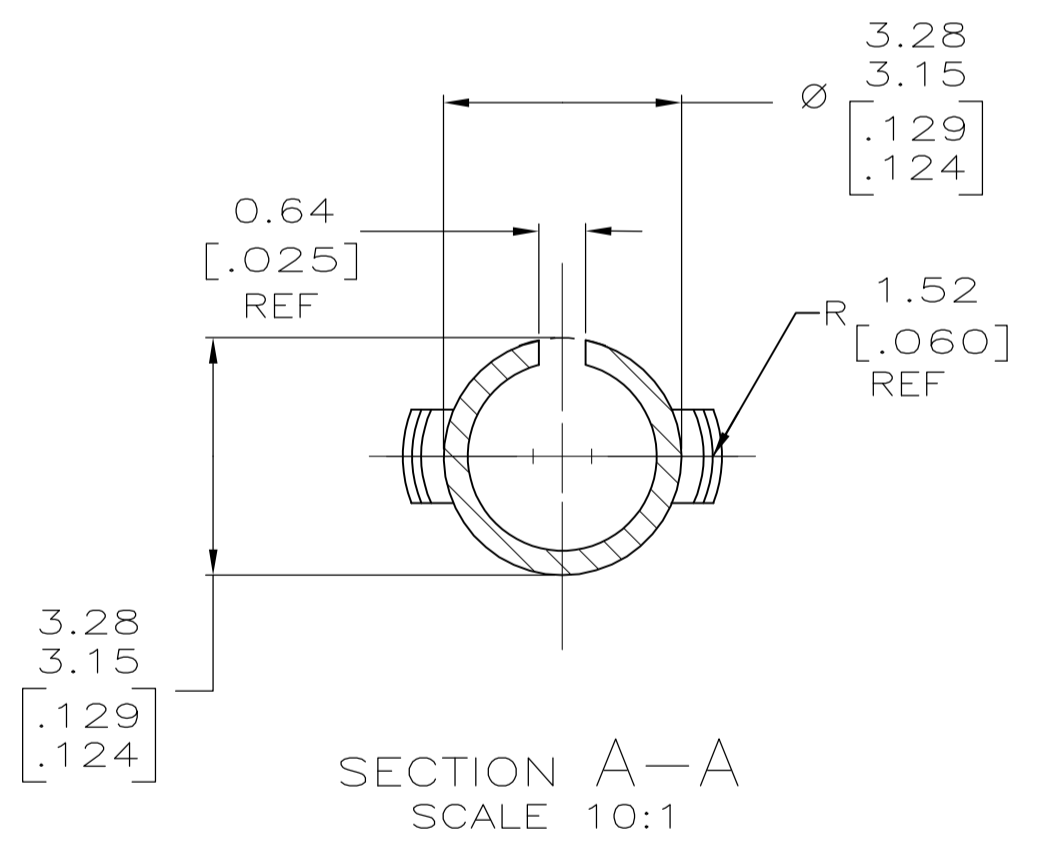
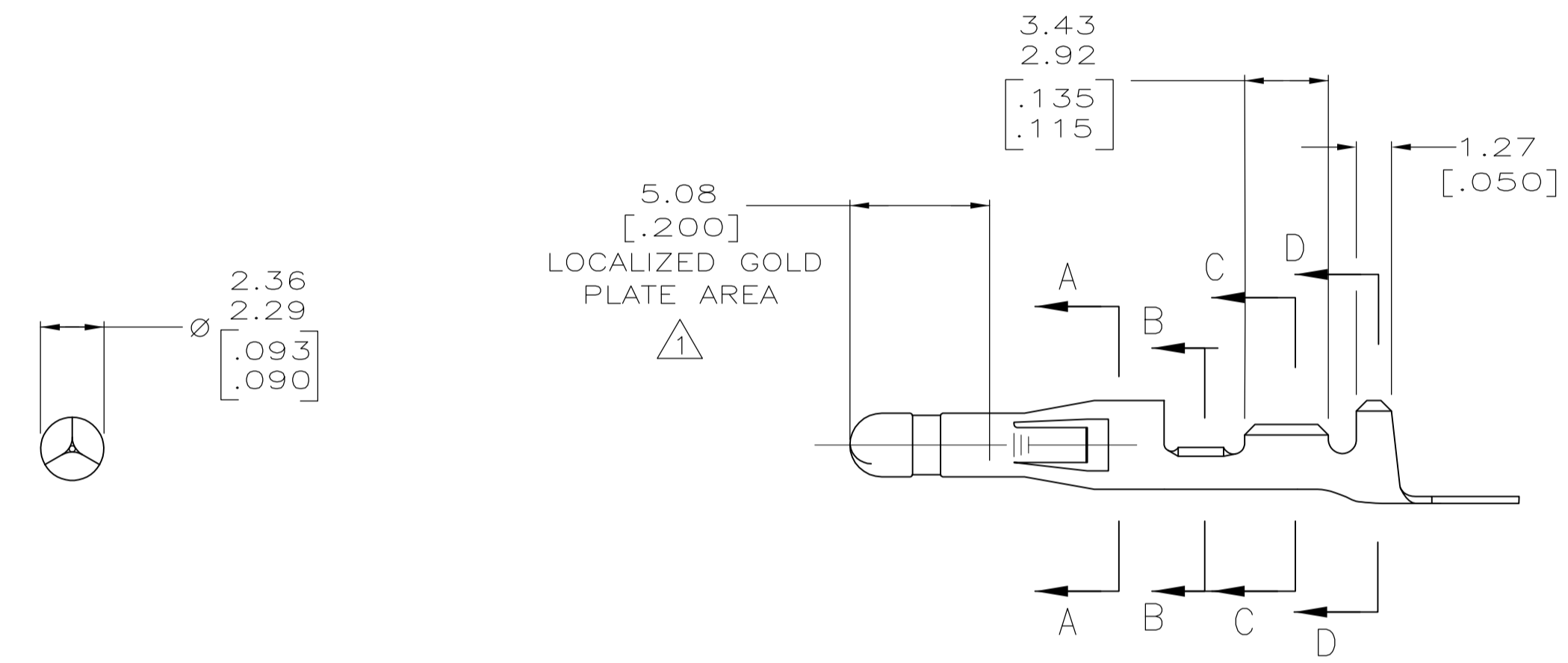
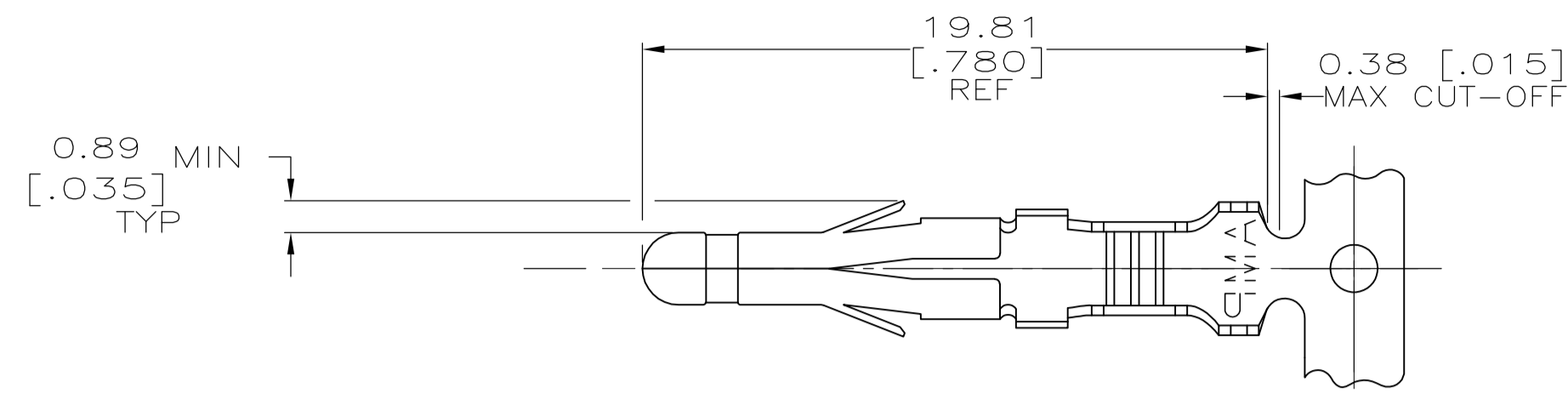


LOC		DIST		ZONE		LTR		REVISIONS		DATE	APPD
CM	53	P	F					AD1	REV PER ECR-15-007412	06-20-15	SC 02



- 1 NICKEL UNDER PLATE 0.00127 [0.000050] MIN THICK ON ENTIRE PART WITH 0.00076 [0.000030] MIN GOLD IN LOCALIZED PLATE AREA.
- 2 WIRE RANGE: 0.3 - 0.84mm² (24-18 AWG).
- 3 INSULATION RANGE: 2.79 [.110] MAX. DIA.
- 4 DIMENSIONS IN BRACKETS ARE IN INCHES.

METRIC

THIS DRAWING IS A CONTROLLED DOCUMENT FOR AMP INCORPORATED. IT IS SUBJECT TO CHANGE AND THE CONTROLLING ENGINEERING ORGANIZATION SHOULD BE CONTACTED FOR THE LATEST REVISION.

FINISH		MATERIAL		PART NO	
△		0.25 [.010] BRASS		350418-5	
PRE-TIN		0.25 [.010] BRASS		350418-1	
<p>DO NOT SCALE PRINT. UNLESS SPECIFIED DIMENSIONS IN mm [INCHES] TOLERANCES ON:</p> <p>2 PLC DEC ± -</p> <p>3 PLC DEC ± 0.13 [.005]</p> <p>ANGLES ± -</p>					
MATERIAL		MATERIAL		PART NO	
SEE TABLE		SEE TABLE		SEE TABLE	
FINISH		FINISH		FINISH	
SEE TABLE		SEE TABLE		SEE TABLE	
WEIGHT		WEIGHT		WEIGHT	
-		-		-	
NAME		NAME		NAME	
.093 PIN		.093 PIN		.093 PIN	
COMMERCIAL PIN AND SOCKET		COMMERCIAL PIN AND SOCKET		COMMERCIAL PIN AND SOCKET	
SIZE		CAGE CODE		DRAWING NO	
D		00779		C-350418	
SCALE		SCALE		SCALE	
5:1		5:1		5:1	
SHEET		SHEET		SHEET	
10F 1		10F 1		10F 1	

AMP AMP Incorporated
 Harrisburg, PA 17105-3608

NAME
 .093 PIN
 COMMERCIAL PIN AND SOCKET

SIZE D
 CAGE CODE 00779
 DRAWING NO C-350418
 SCALE 5:1
 SHEET 10F 1

CUSTOMER DRAWING

单击下面可查看定价，库存，交付和生命周期等信息

[>>TE Connectivity\(泰科\)](#)