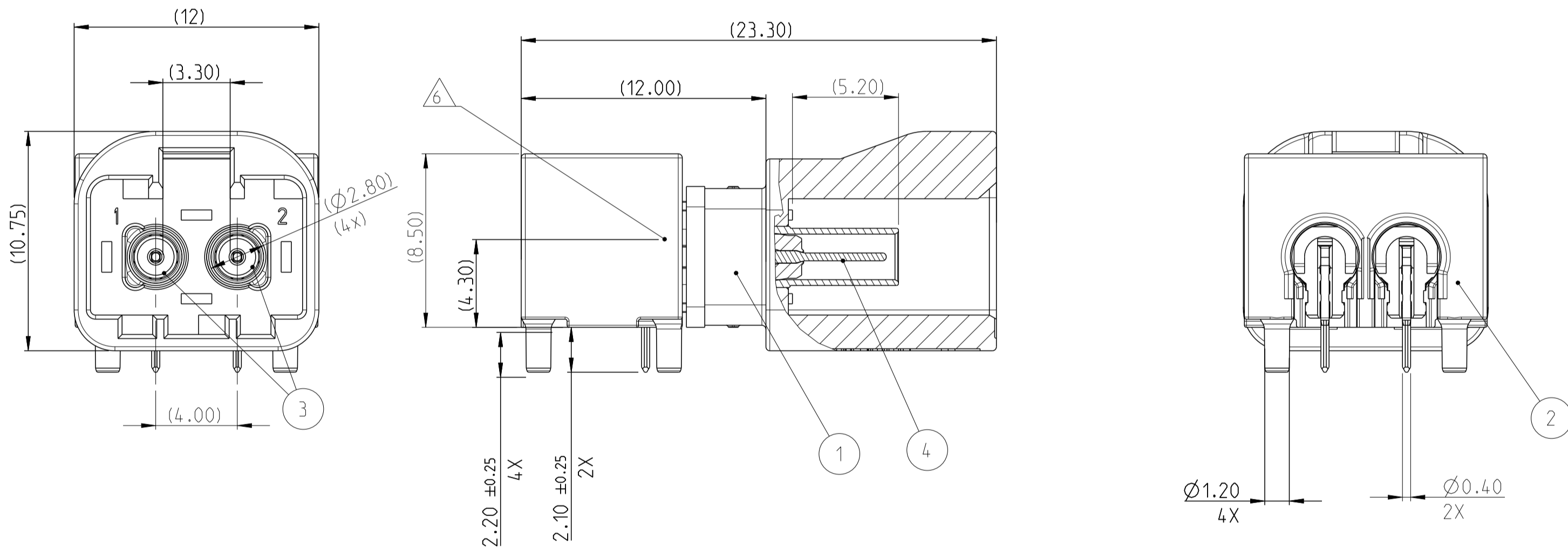
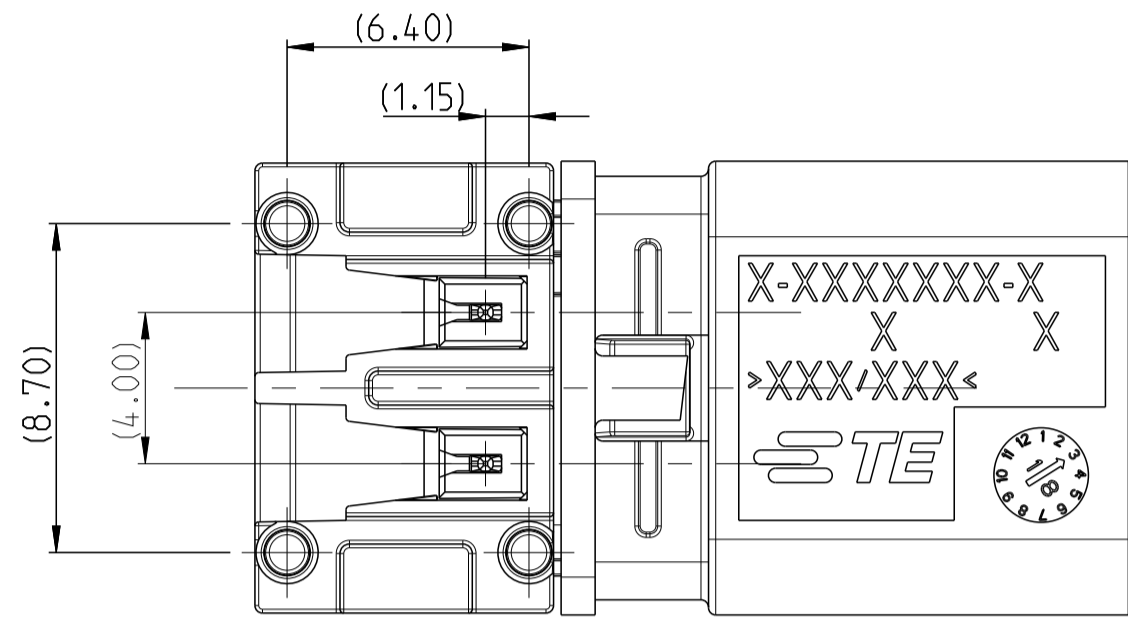
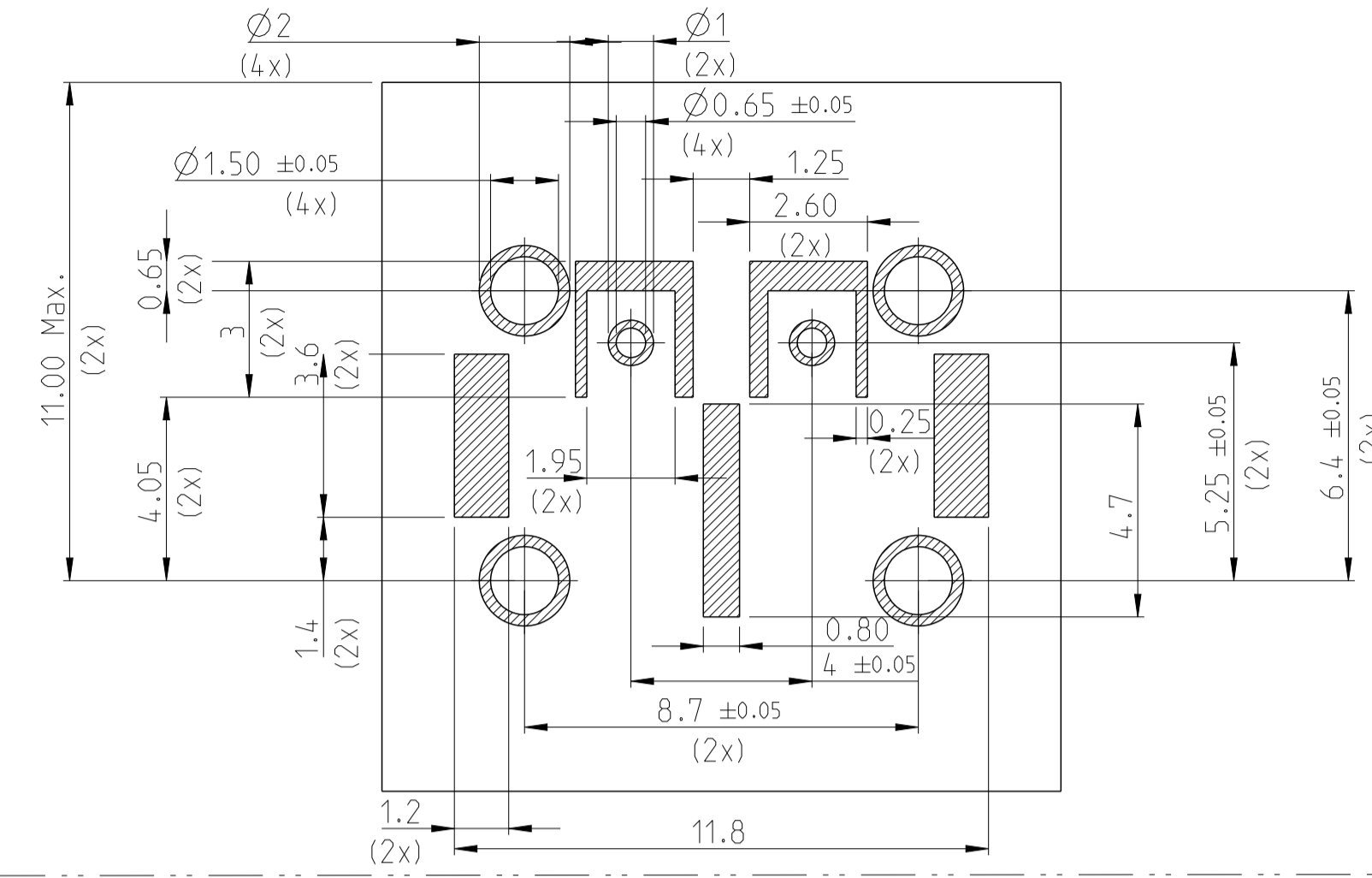
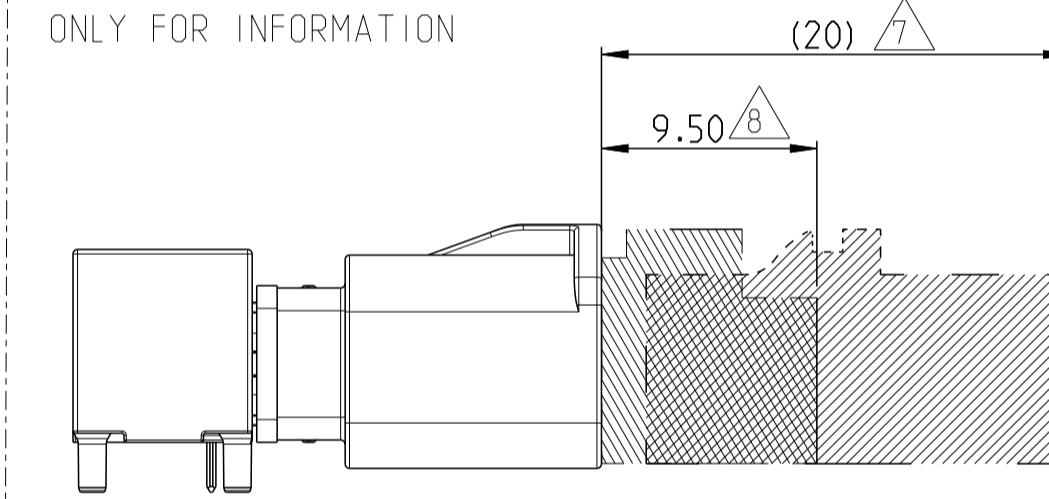


MECHANICAL: FOOTPRINT INFORMATION (HOLE PATTERN)
 SEE BELOW SCHEMATIC

ELECTRICAL: HIGH SPEED PROPOSAL
 SEE APPLICATION SPEC. 114-94572



SPACE REQUIREMENTS FOR CABLE CONNECTOR



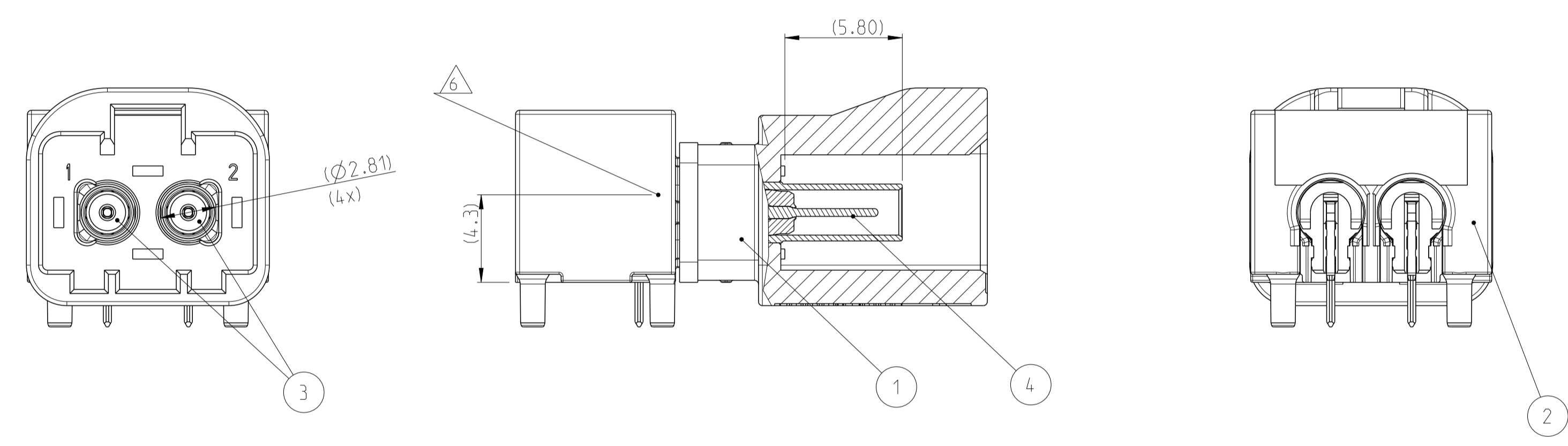
CODINGS. STANDARD ORIENTATION							
CODING Z	CODING A	CODING B	CODING C	CODING D	CODING E	CODING F	2306368-X
CODINGS. REVERSED							
CODING Z	CODING A	CODING B	CODING C	CODING D	CODING E	CODING F	1-2306368-X

- DETAILS OF DESIGN ARE LEFT TO TE CONNECTIVITY
- MATE-AX INTERFACE ACC. TO TE-SPEC. 208-18048
- PACKAGING: TAPE AND REEL
- FOR FITTING MATE-AX CONNECTOR PLEASE CONTACT TE CONNECTIVITY.
- ALL DIMENSIONS IN BRACKETS () FOR INFORMATION ONLY
- CENTER OF GRAVITY
- REQUIRED SPACE FOR UNMATED CABLE CONNECTOR
- REQUIRED SPACE FOR MATED CABLE CONNECTOR
- WEIGHT (g): 5.43
- AS SHOWN: CODING A

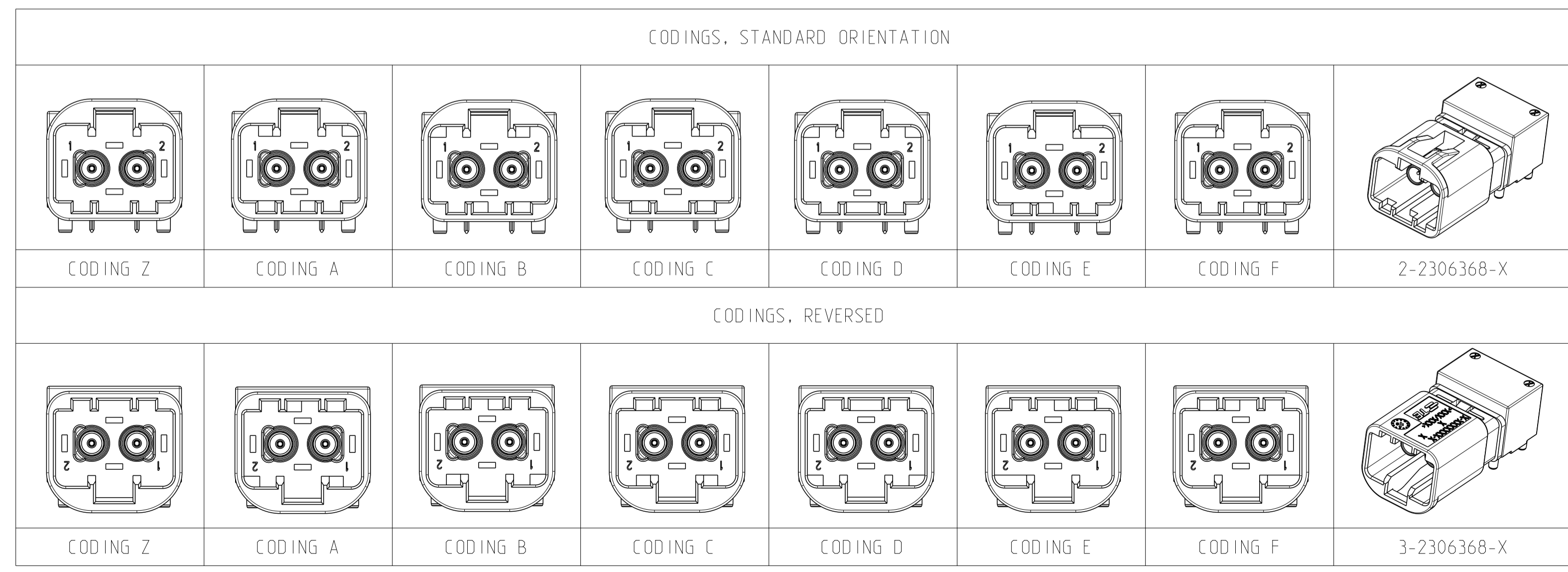
QTY	CODE	DESCRIPTION	MATERIAL	FINISH COLOUR	ITEM NO	
2		CONTACT PIN	COPPER ALLOY	Ag PLATING VERSION: SOLDER SIDE: MIN. 3µm Sn OVER Ni INTERFACE SIDE: MIN. 2µm Ag OVER Ni	4	
2		CAVITY BLOCK	POLYAMIDE	BLACK	3	
1		SHIELDING HOUSING	Zamak 5	Sn: MIN 3µm OVER Ni and Cu	2	
				WATER BLUE	1	
				NUT BROWN		
				MAY GREEN		
				CLARET VIOLET		
				LIGHT BLUE		
				PURE WHITE		
				JET BLACK		
QUANTITY		CODE	DESCRIPTION	MATERIAL	FINISH COLOUR	ITEM NO
-1 -2 -3 -4 -5 -6 -9			Ag PLATING STANDARD VERSION ASSY NO. 2306368-X			
1-1 1-2 1-3 1-4 1-5 1-6 1-9			Ag PLATING STANDARD VERSION ASSY NO. 1-2306368-X			
A B C D E F Z			ASSY CODE			
D D D D D D D			REVISION			

THIS DRAWING IS A CONTROLLED DOCUMENT.		OWN: M. Waller 18DEC2017		TE Connectivity
DIMENSIONS: mm		CHK: A. Weiss 18DEC2017		NAME: MATE-AX HEADER ASSY
TOLERANCES UNLESS OTHERWISE SPECIFIED:		APVD: M. Reinhardt	PRODUCT SPEC: 108-94544	UNSEALED
0 PLC ±0.5		APPLICATION SPEC: 114-94572	SIZE: A1	CAGE CODE: 00779
1 PLC ±0.3		WEIGHT: -	SCALE: 5:1	SHEET 1 OF 2
2 PLC ±0.3		CUSTOMER DRAWING	REV: 02	
3 PLC ±0.3				
4 PLC ±0.3				
ANGLES ±0.5				
FINISH: -				

LOC	DIST	REV	DATE	BY	APPV
-	-	1			
REVISIONS					
DESCRIPTION			DATE	BY	APPV
SEE SHEET 1					



1. UNSPECIFIED SPECIFICATIONS AND REQUIREMENT ACCORDING TO 2306368-X.



QTY	CODE	DESCRIPTION	MATERIAL	FINISH COLOUR	ITEM NO		
2		CONTACT PIN	COPPER ALLOY	Ag PLATING VERSION: SOLDER SIDE: MIN. 3µm Sn OVER Ni INTERFACE SIDE: MIN. 2µm Ag OVER Ni	4		
2		CAVITY BLOCK	POLYAMIDE	BLACK	3		
1		SHIELDING HOUSING	Zamak 5	Sn: MIN 3µm OVER Ni and Cu	2		
		CODING HOUSING	POLYAMIDE	WATER BLUE	1		
				NUT BROWN			
				MAY GREEN			
				CLARET VIOLET			
				LIGHT BLUE			
				PURE WHITE			
				JET BLACK			
2-1	2-2	2-3	2-4	2-5	2-6	2-9	Ag PLATING STANDARD VERSION ASSY NO. 2-2306368-X
3-1	3-2	3-3	3-4	3-5	3-6	3-9	Ag PLATING STANDARD VERSION ASSY NO. 3-2306368-X
A	B	C	D	E	F	Z	ASSY CODE
D	D	D	D	D	D	D	REVISION

THIS DRAWING IS A CONTROLLED DOCUMENT.

DIMENSIONS:	TOLERANCES UNLESS OTHERWISE SPECIFIED:	OWN: M. Waller 18DEC2017	CHK: A. Weiss 18DEC2017
mm	0 PLC ±0.5	APVD: M. Reinhardt	NAME: MATE-AX HEADER ASSY
	1 PLC ±0.3	PRODUCT SPEC: 108-94544	2 POS 90 DEGREE
	2 PLC ±0.3	APPLICATION SPEC: 116-94572	UNSEALED
	3 PLC ±0.3	WEIGHT: -	SIZE: A1
	4 PLC ±0.3	CAGE CODE: 2306368	CAGE CODE: 2306368
ANGLES:	FINISH: -	CUSTOMER DRAWING	SCALE: 5:1
MATERIAL: -			SHEET: 2 OF 2
			REV: 02

单击下面可查看定价，库存，交付和生命周期等信息

[>>TE Connectivity\(泰科\)](#)