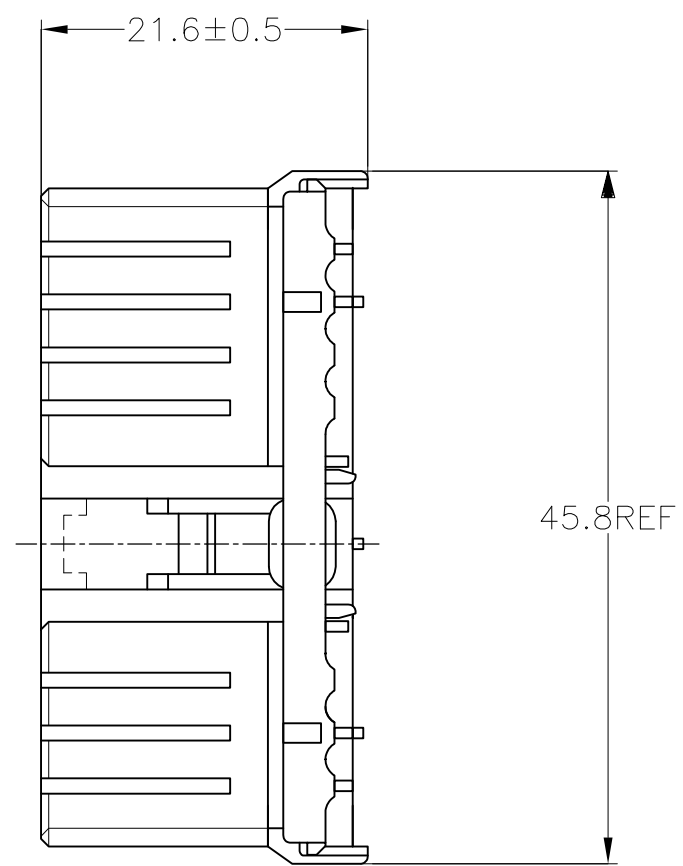
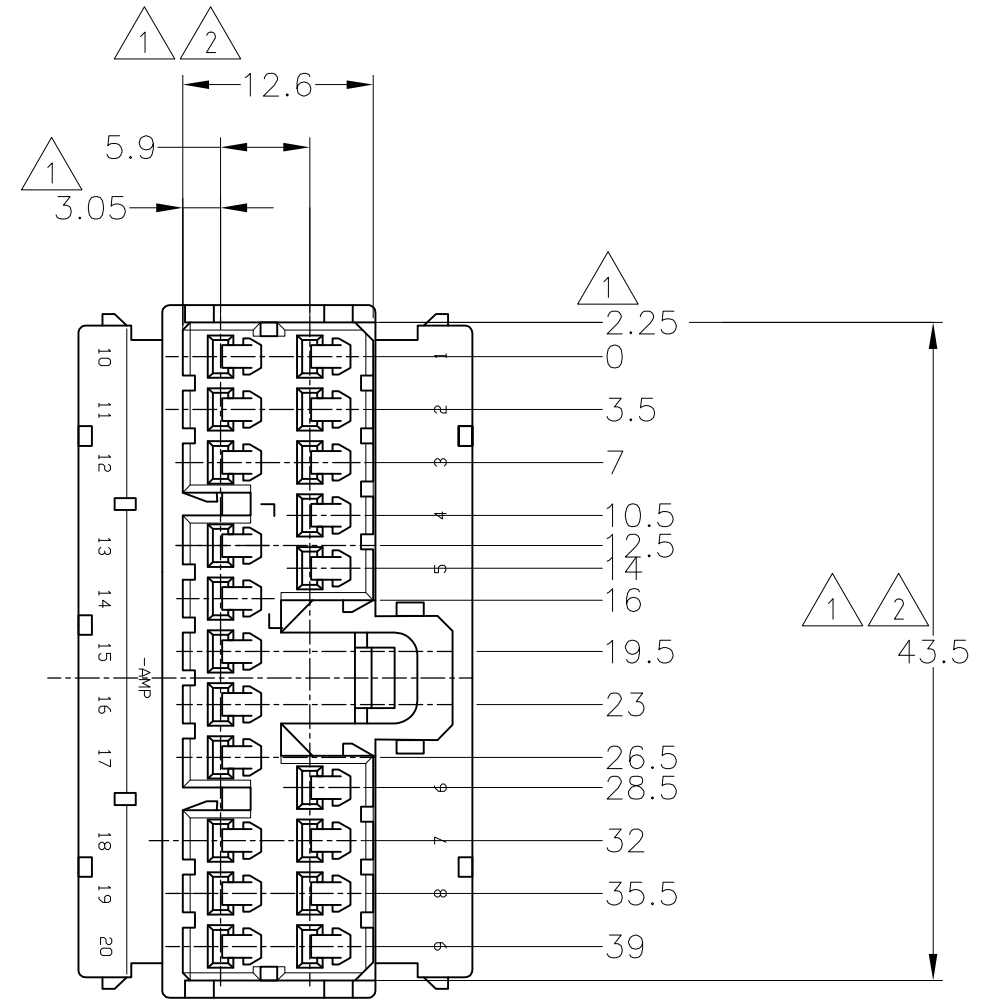
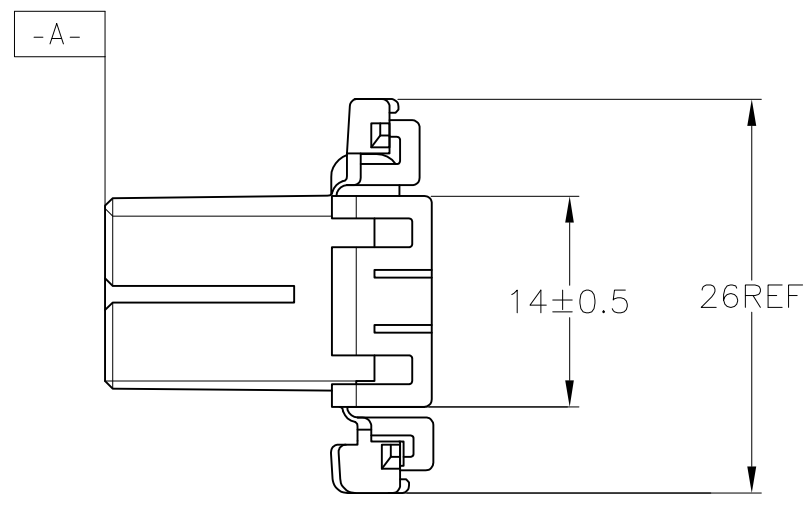


THIS DRAWING IS UNPUBLISHED. RELEASED FOR PUBLICATION
 © COPYRIGHT 2019 By Tyco Electronics Japan G.K. ALL RIGHTS RESERVED.

REVISIONS					
P	LTR	DESCRIPTION	DATE	DWN	APVD
	E5	REVISED ECR-19-009995	04OCT2019	DM	HK



- MUST BE KEPT BETWEEN -A- AND 2
 - TO BE MATED WITH PLUG HOUSING SMOOTHLY
 - APPLIED TAB CONTACT; P/N 173630 AND 173631
 - APPLIED CAP HOUSING; P/N 174936 etc
- A- 面より2mmの範囲で測定
 - 相手ハウジングと所定の機能を満足して嵌合できること
 - 内装するタブコンタクトは型番173630、173631
 - 嵌合相手ハウジング型番174936 他



V-2	自然色 (NATURAL)	1-174952-1
HB	黄 (YELLOW)	174952-7
	灰 (GRAY)	174952-6
	青 (BLUE)	174952-5
	緑 (GREEN)	174952-4
	黒 (BLACK)	174952-2
	自然色 (NATURAL)	174952-1
使用材料難燃グレード (FLAMMABILITY OF MATERIAL)	色 (COLOR)	型番 (PART NUMBER)

TOLERANCES UNLESS OTHERWISE SPECIFIED:
 一般公差

10 ≥	±0.2
30 ≥	> 10 : ±0.25
	> 30 : ±0.3
ANGLE	3°

THIS DRAWING IS A CONTROLLED DOCUMENT.

DIMENSIONS:	TOLERANCES UNLESS OTHERWISE SPECIFIED:
mm	0 PLC ± -
	1 PLC ± -
	2 PLC ± -
	3 PLC ± -
	4 PLC ± -
	ANGLES ± -
MATERIAL	FINISH
PBT	-

DWN	S.FUJITA	09DEC08	STE TE Connectivity
CHK	K.BETSUI	09DEC08	
APVD	K.BETSUI	09DEC08	
PRODUCT SPEC	NAME		
APPLICATION SPEC	070 SERIES MULTILOCK CONNECTOR 20POSITION PULG HOUSING		RESTRICTED TO
WEIGHT	7.8 g	SIZE	
CUSTOMER DRAWING		A300779	DRAWING NO
		C=174952	RESTRICTED TO
		SCALE	2:1
		SHEET	1 OF 1
		REV	E5

单击下面可查看定价，库存，交付和生命周期等信息

[>>TE Connectivity\(泰科\)](#)