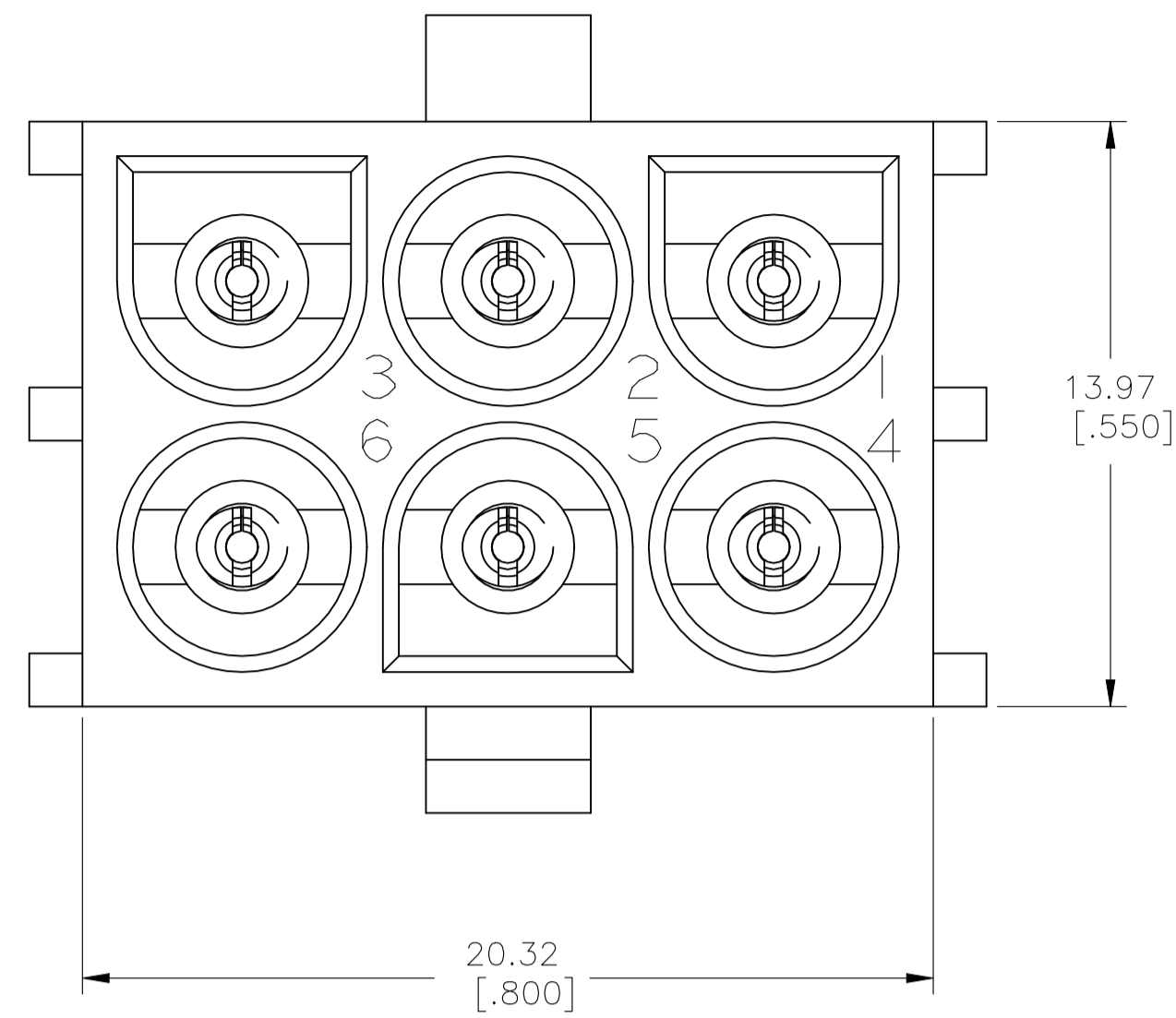
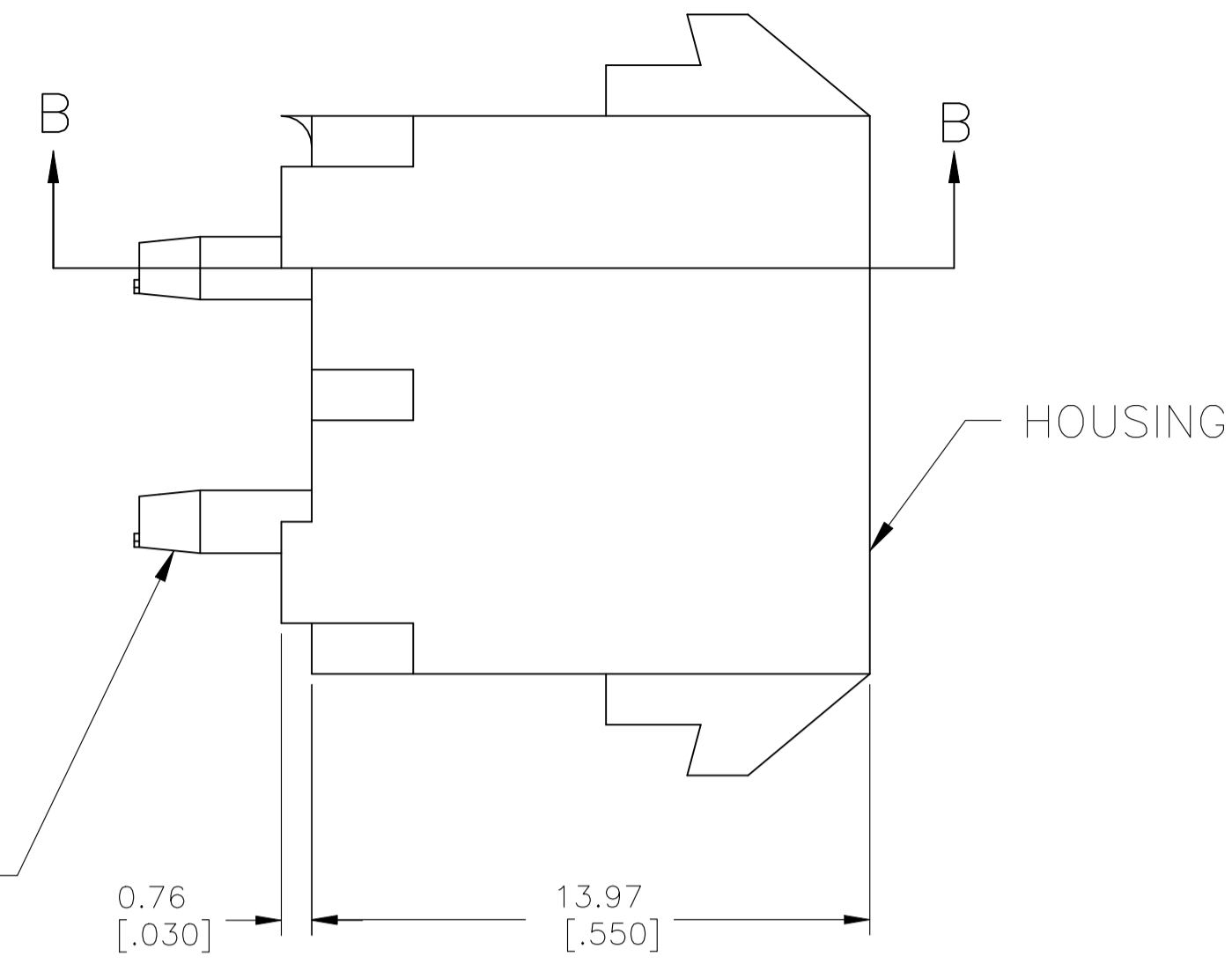
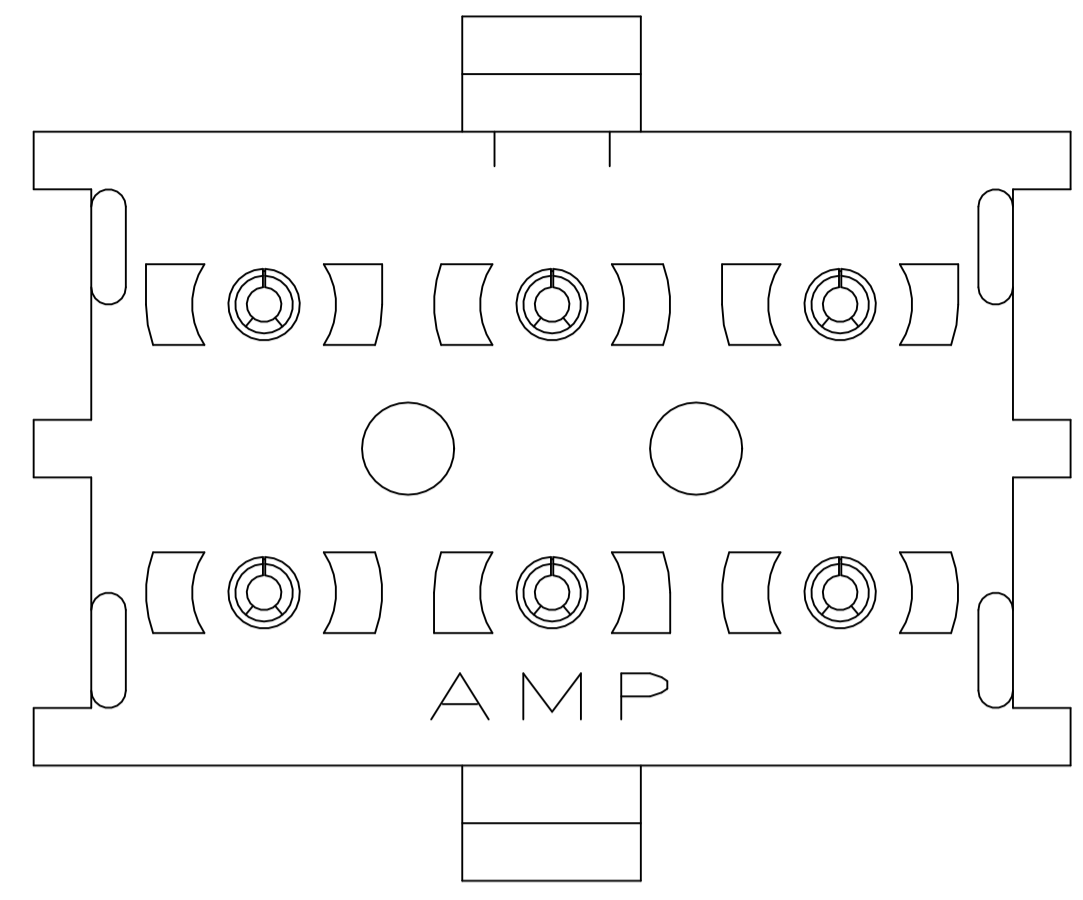
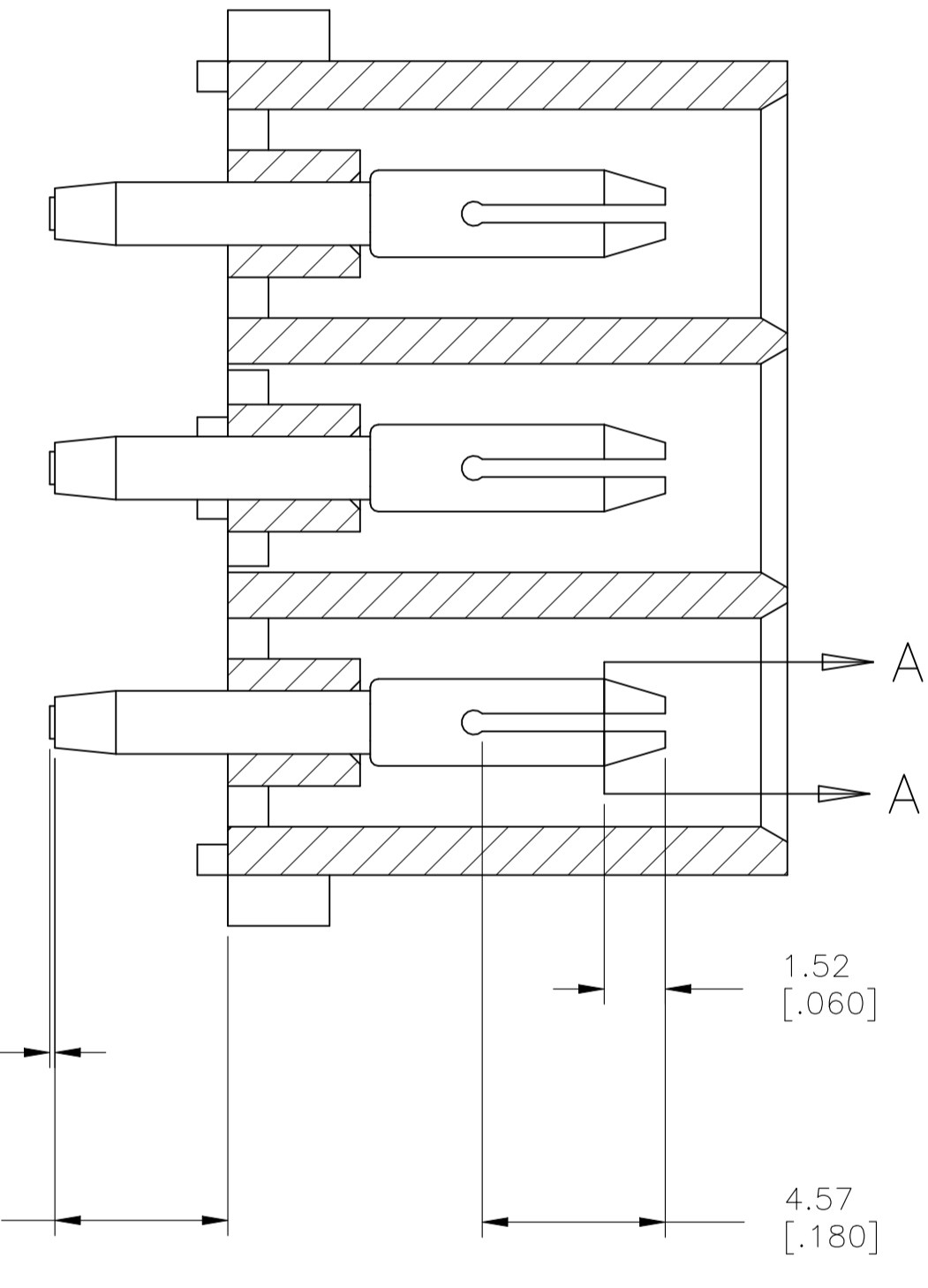


REVISIONS					
REV	DATE	DESCRIPTION	BY	CHK	APP'D
B1	02NOV2021	REVISED PER ECR-21-119230	SS	VS	

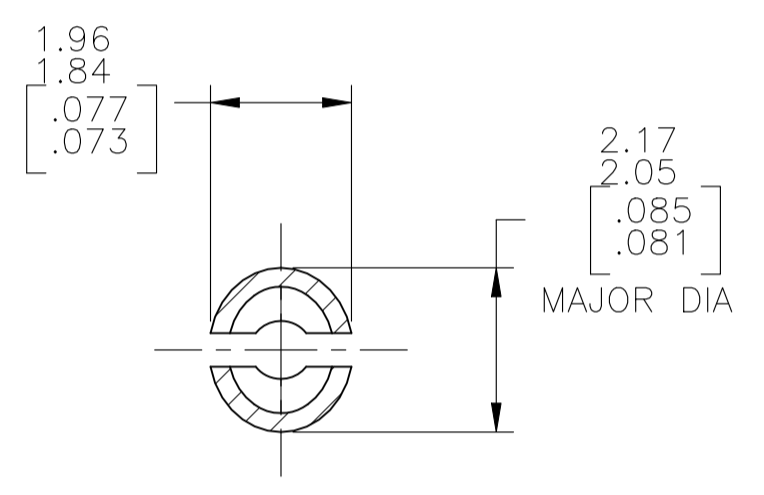


- 1 PARTS MATE WITH HOUSING 1586846
- 2 PARTS COMPLY TO AMP SOLDERABILITY SPECIFICATION 109-11-3.
- 3 CIRCUIT IDENTIFICATION CHARACTERS ARE ADJACENT TO THE INDICATED CAVITIES, BUT LOCATION AND ORIENTATION MAY DIFFER FROM PRINT.
- 4 FLAMMABILITY V2 FOR THICKNESS 0.38mm, 1.5mm, and 3.0mm PER IEC 60695-11-10.
- 5 GLOW-WIRE FLAMMABILITY (GWFI) 800°C FOR THICKNESS 0.38mm AND 0.75mm PER IEC 60695-2-12.
- 6 GLOW-WIRE FLAMMABILITY (GWFI) 960°C FOR THICKNESS 1.5mm AND 3.0mm PER IEC 60695-2-12.
- 7 GLOW-WIRE IGNITION (GWIT) 825°C FOR THICKNESS 0.38mm, 0.75mm, 1.5mm AND 3.0mm PER IEC 60695-2-13.
- 8 DIMENSIONS SHOWN REPRESENT PRODUCT IN DRY CONDITION. ADDITIONAL 2% GROWTH DUE TO END USE LOCATION MOISTURE ABSORPTION MAY OCCUR AND SHOULD BE ACCOUNTED FOR.

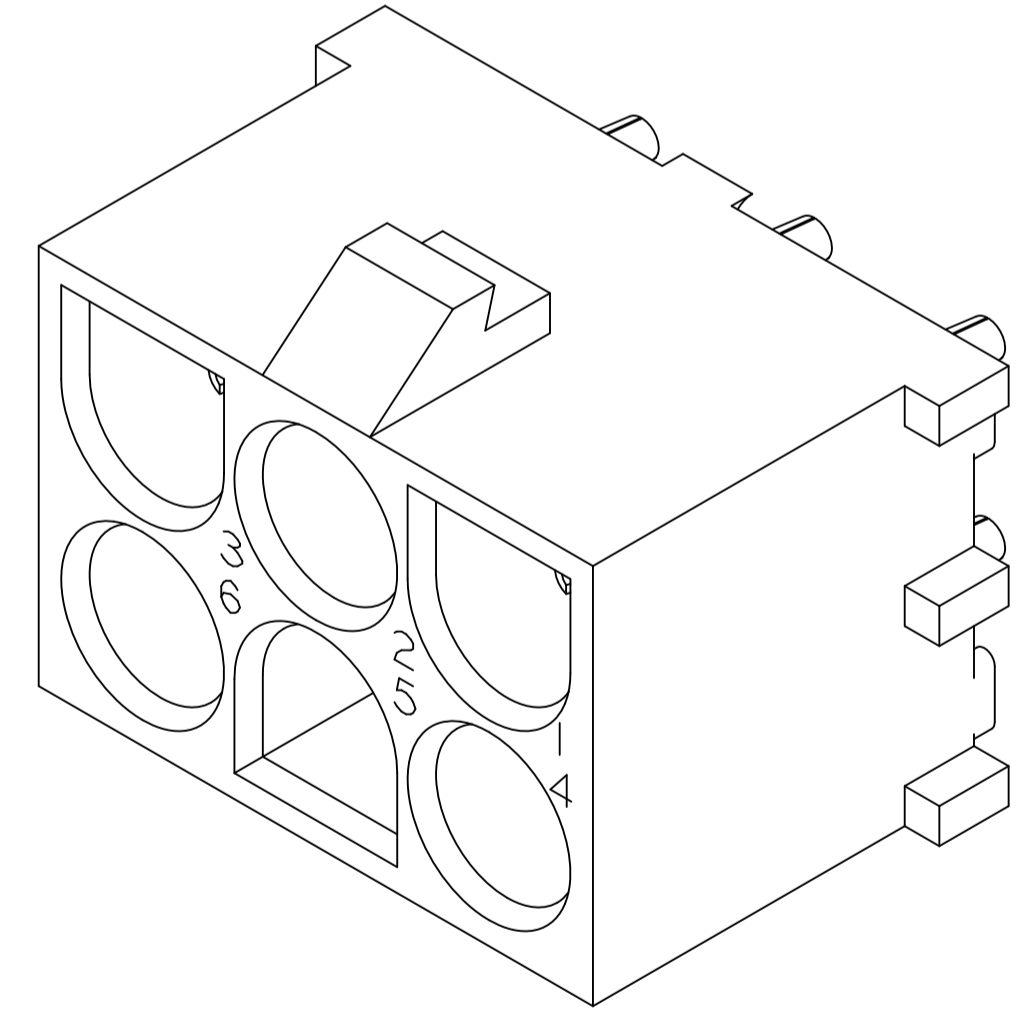
CONTACT 6 REQ'D



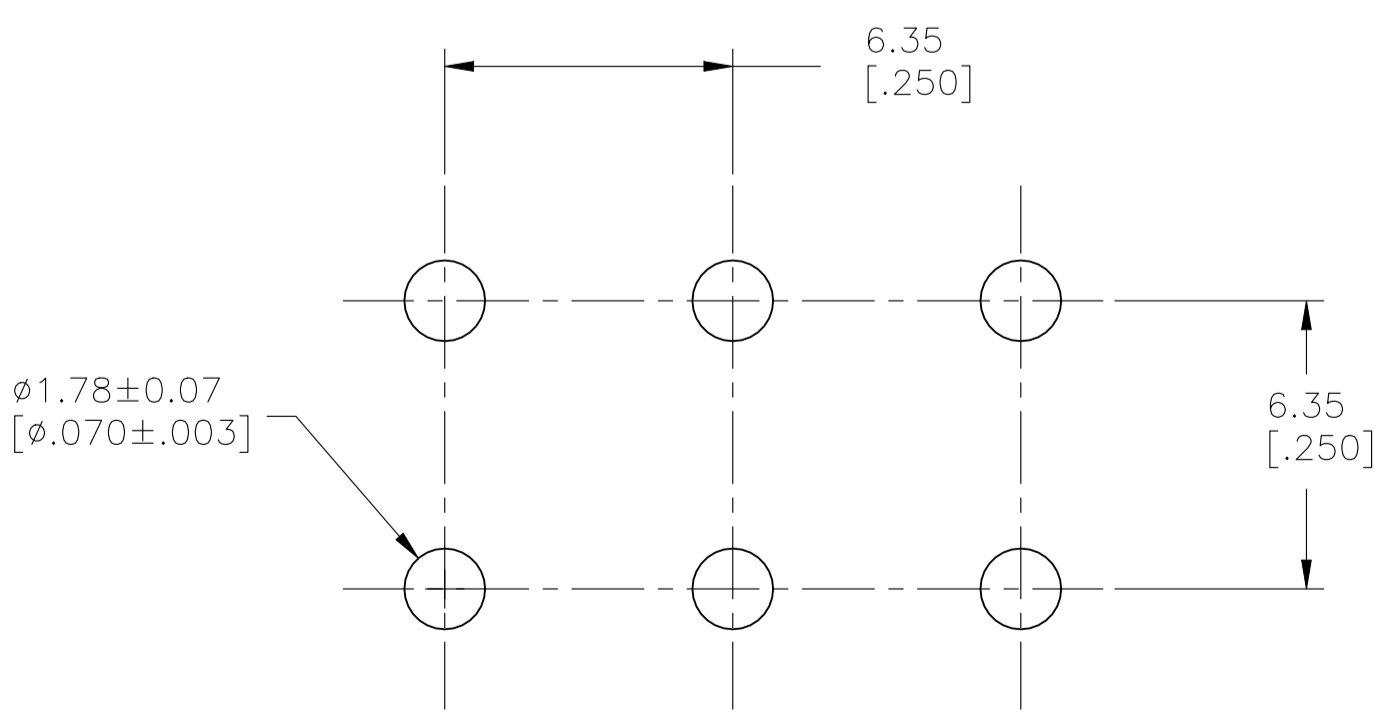
SECTION B-B



SECTION A-A  
SCALE 10:1



3 DIMENSIONAL MODEL  
SCALE 4:1



RECOMMENDED MOUNTING HOLE PATTERN  
FOR 1.57[.062] THICK P.C. BOARD

PHOSPOR BRONZE, PRE-TIN		NYLON, UL94V-2, NATURAL		1586979-1	
PIN CONTACT MATERIAL AND FINISH		HOUSING MATERIAL AND COLOR		PART NUMBER	
THIS DRAWING IS A CONTROLLED DOCUMENT.		DIN RAGHAVENDRA 17APR09		TE Connectivity	
DIMENSIONS: mm [INCHES]		CHK SARVER MICHAEL 17APR09		NAME	
TOLERANCES UNLESS OTHERWISE SPECIFIED:		APP'D SARVER MICHAEL 17APR09		PRODUCT SPEC	
0. PLC ± -		APPLICATION SPEC		SIZE CAGE CODE DRAWING NO	
1. PLC ± -		RESTRICTED TO		WEIGHT 0.000000 A1 00779 C=1586979	
2. PLC ± 0.13[.005]		CUSTOMER DRAWING		SCALE 5:1 SHEET 1 of 1 REV B1	
3. PLC ± -					
4. PLC ± -					
ANGLES ± 0° 30'					
MATERIAL SEE TABLE		FINISH SEE TABLE			

单击下面可查看定价，库存，交付和生命周期等信息

[>>TE Connectivity\(泰科\)](#)