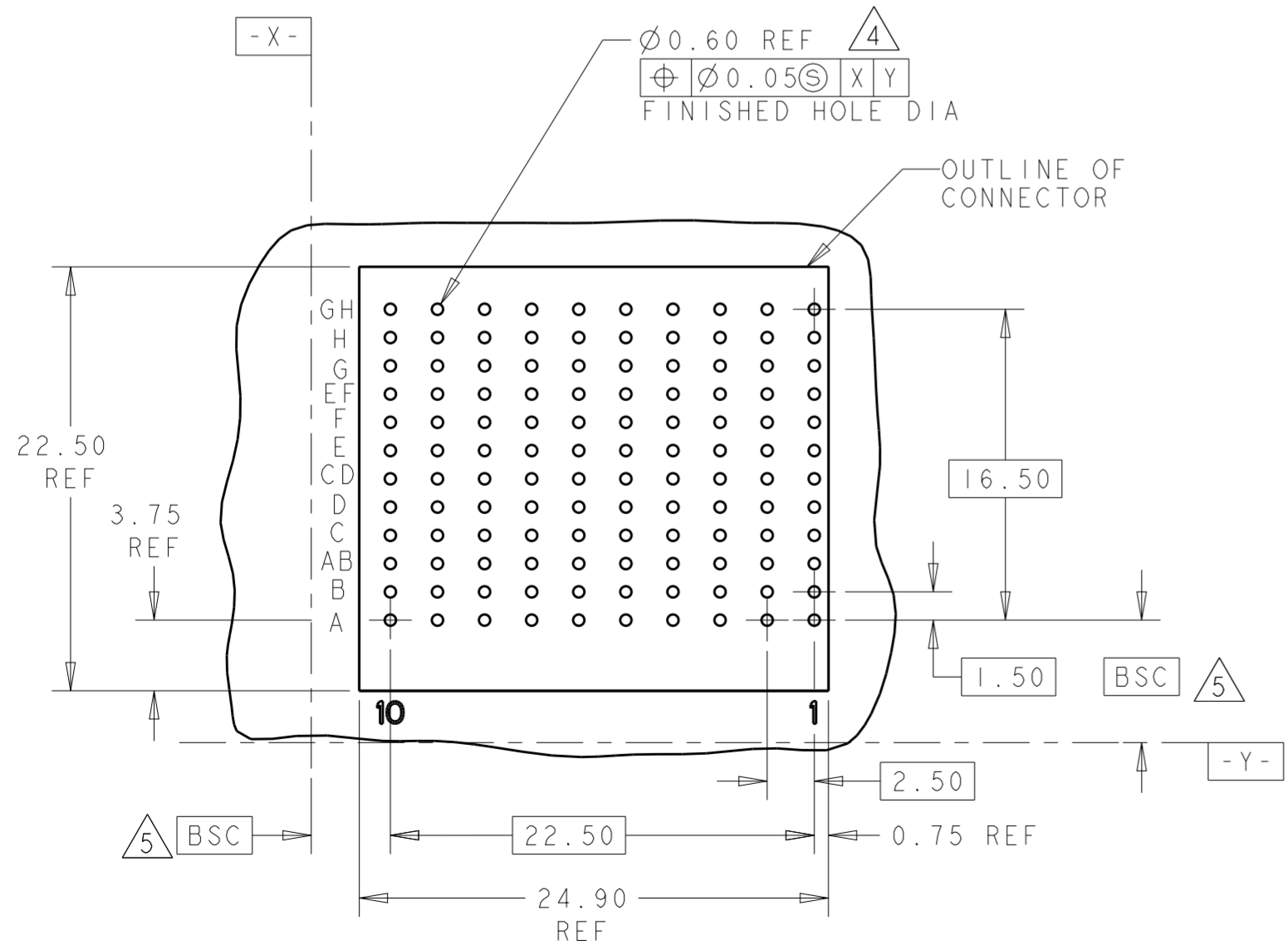
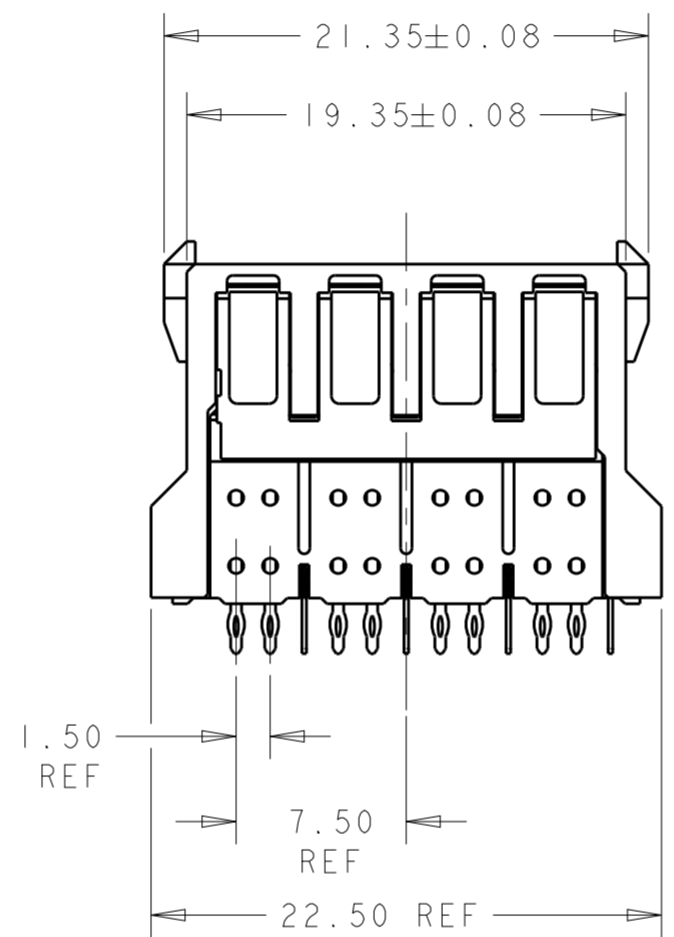
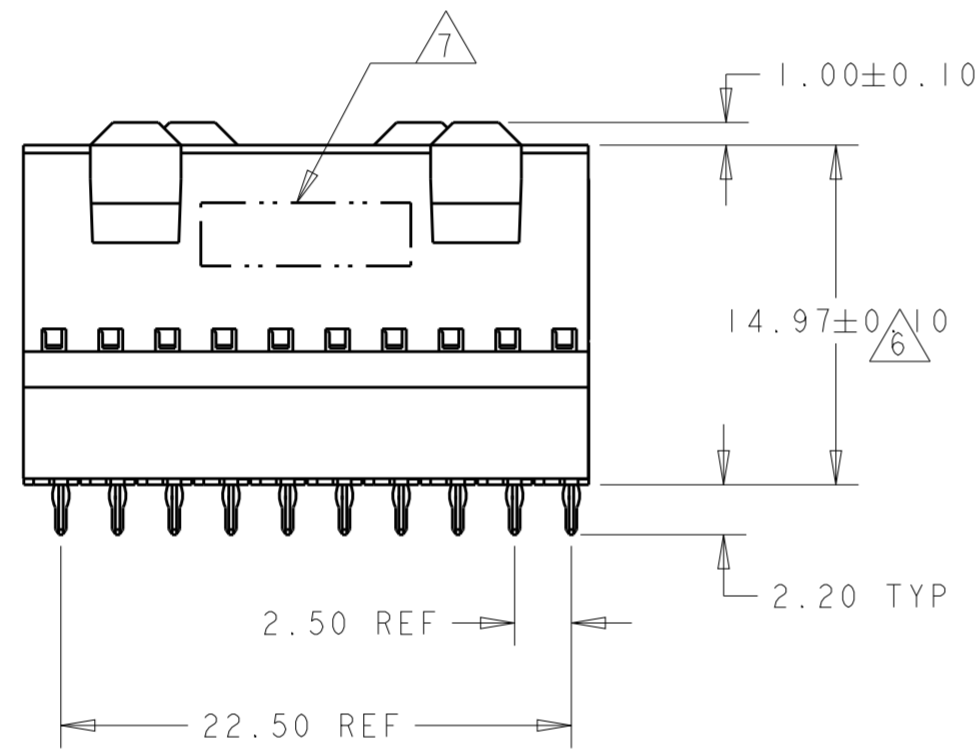
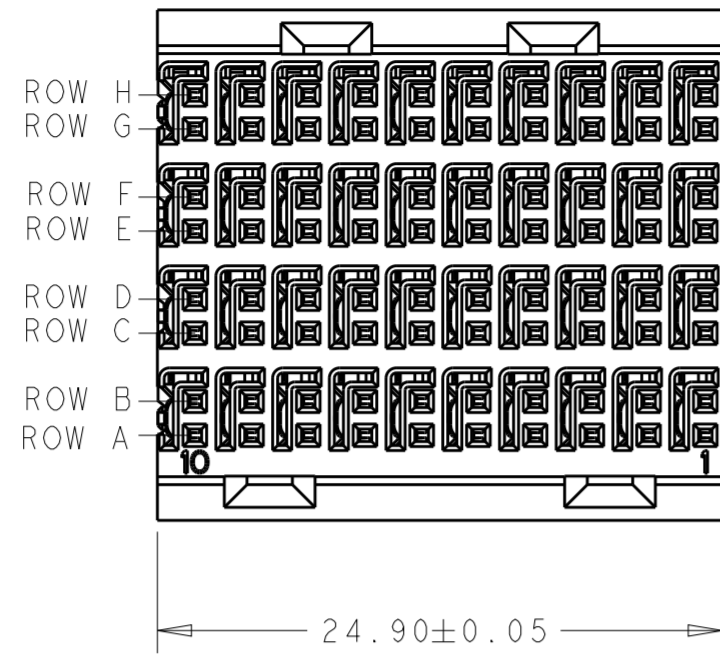


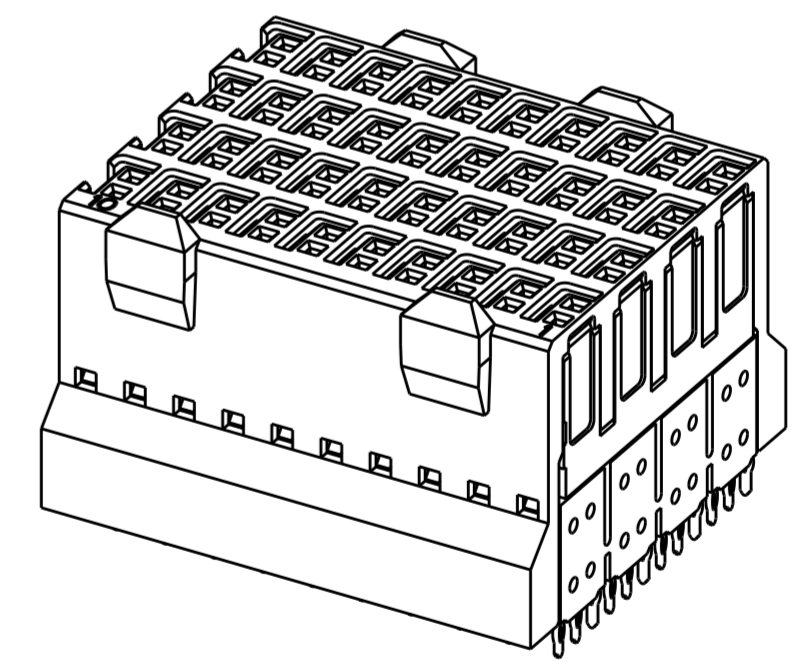
THIS DRAWING IS UNPUBLISHED. RELEASED FOR PUBLICATION 2000
 © COPYRIGHT 2000 BY - ALL RIGHTS RESERVED.

REVISIONS					
P	LTR	DESCRIPTION	DATE	DWN	APVD
	D	REVISED PER ECO-15-003362	04MAR2015	AP	RP



SCALE 3:1

- 1 MATERIAL:
SHIELD - PHOSPHOR BRONZE
CONTACT - COPPER-NICKEL-SILICON
HOUSING, CHICKLET AND CHICKLET COVER - GLASS FILLED POLYESTER
- 2 FINISH: SIGNAL AND GROUND CONTACTS:
MATING AREA: MEETS THE PERFORMANCE REQUIREMENTS OF PRODUCT SPECIFICATION 108-2055; BASED ON TELCORDIA GR-1217-CORE, APPLICATIONS IN UNCONTROLLED ENVIRONMENTS
COMPLIANT PIN AREA: 0.5 µm MIN MATTE TIN OVER BASE PLATING
- 3 CONTACT AREA LUBRICATED WITH BELLCORE APPROVED LUBRICANT. TECHNICAL REFERENCE: GR-1217-CORE, ISSUE 1, NOVEMBER 1995.
- 4 REFERENCE APPLICATION SPEC 114-13059 FOR RECOMMENDED PLATED THRU HOLE DIAMETER AND PLATING THICKNESSES.
- 5 DATUMS AND BASIC DIMENSIONS ESTABLISHED BY CUSTOMER.
- 6 REFERENCE CONNECTOR HEIGHT OF 15mm MATED STACK HEIGHT OF 18mm WHEN MATED TO HM-Zd VERTICAL HEADER.
- 7 CONNECTOR MARKED WITH PART NUMBER AND DATE CODE IN APPROXIMATE AREA SHOWN.



1469362-1
PART NO.

THIS DRAWING IS A CONTROLLED DOCUMENT.		DWN D. STAHL 30AUG2001	TE Connectivity	
DIMENSIONS: mm		CHK S. SZCZESNY 30AUG2001		
TOLERANCES UNLESS OTHERWISE SPECIFIED:		APVD -	NAME RECEPTACLE, 40 DIFFERENTIAL PAIRS Z-PACK, HM-Zd VERTICAL 18mm STACK HEIGHT	
0 PLC ±		PRODUCT SPEC -	SIZE A20779	
1 PLC ±		APPLICATION SPEC -	CAGE CODE C-1469362	
2 PLC ±		WEIGHT -	DRAWING NO -	
3 PLC ±		CUSTOMER DRAWING	RESTRICTED TO -	
4 PLC ±		SCALE 3:1	SHEET 1	
ANGLES ±1		REV D		
FINISH				

单击下面可查看定价，库存，交付和生命周期等信息

[>>TE Connectivity\(泰科\)](#)