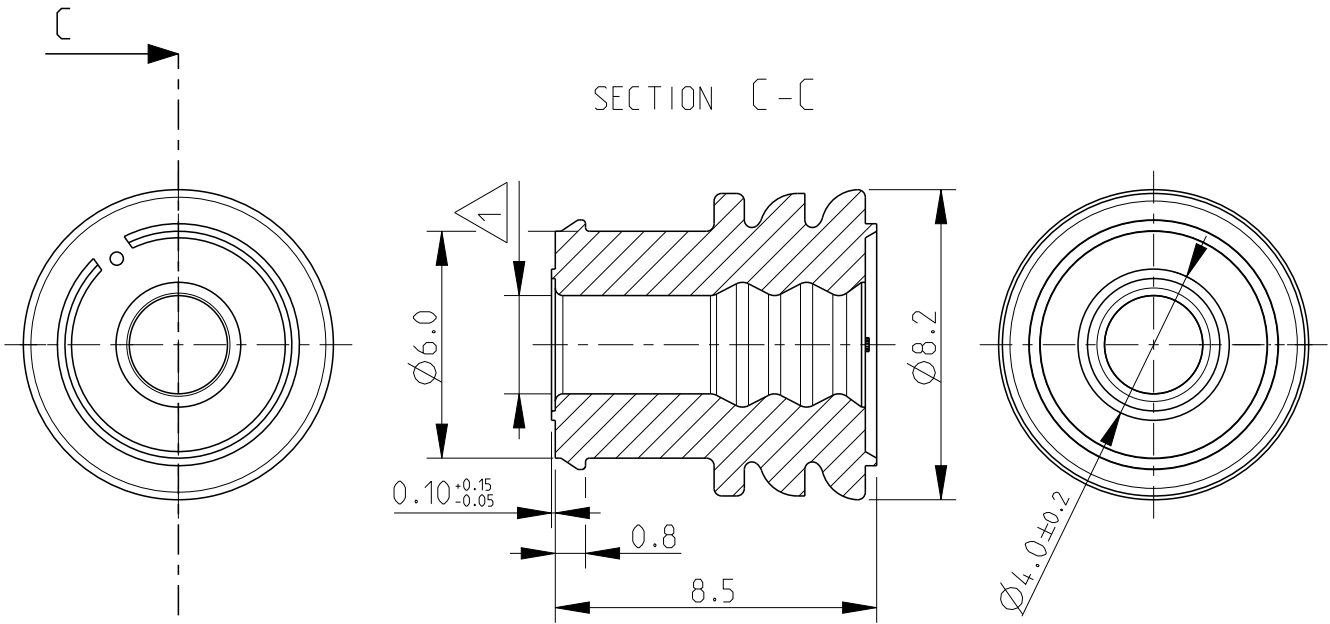
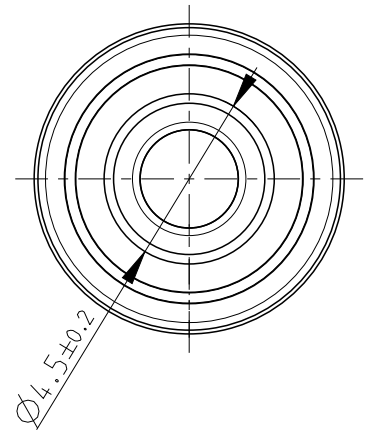
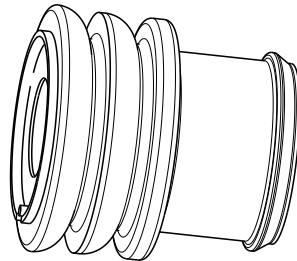
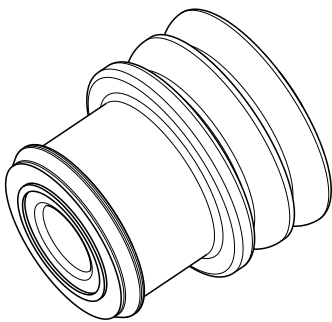


REVISIONS				
P	LTR	DESCRIPTION	DATE	APVD
	C2	ECO-16-009461	22JUN2016	M.G. M.G.



ALTERNATIVE DESIGN ADMITTED



1 FOR INSULATION DIA: $\varnothing 3.4-3.7\text{mm}$

YELLOW	SILICONE 50° SHORE A INHERENTLY LUBRICATED	963245-1
COLOR	MATERIAL	P/N

20
 RELEASED FOR PUBLICATION
 ALL RIGHTS RESERVED.
 BY -
 THIS DRAWING IS UNPUBLISHED.
 COPYRIGHT © 20

DIMENSIONS: mm	DWN R.Schan 23AUG1989	MATERIAL SEE TABLE	FINISH -
TOLERANCES UNLESS OTHERWISE SPECIFIED:	CHK M. Adamski 23AUG1989	TE Connectivity	
0 PLC ± 0.3	APVD -		
1 PLC ±	PRODUCT SPEC -	NAME SINGLE WIRE SEAL (8.2mm DIA)	
2 PLC ±	APPLICATION SPEC -	SIZE A 4	CAGE CODE -
3 PLC ±	WEIGHT 0.258g	DRAWING NO C-963245	RESTRICTED TO -
4 PLC ±		SCALE 5:1	SHEET 1 OF 1
ANGLES ±°			REV C2
CUSTOMER DRAWING			

单击下面可查看定价，库存，交付和生命周期等信息

[>>TE Connectivity\(泰科\)](#)