

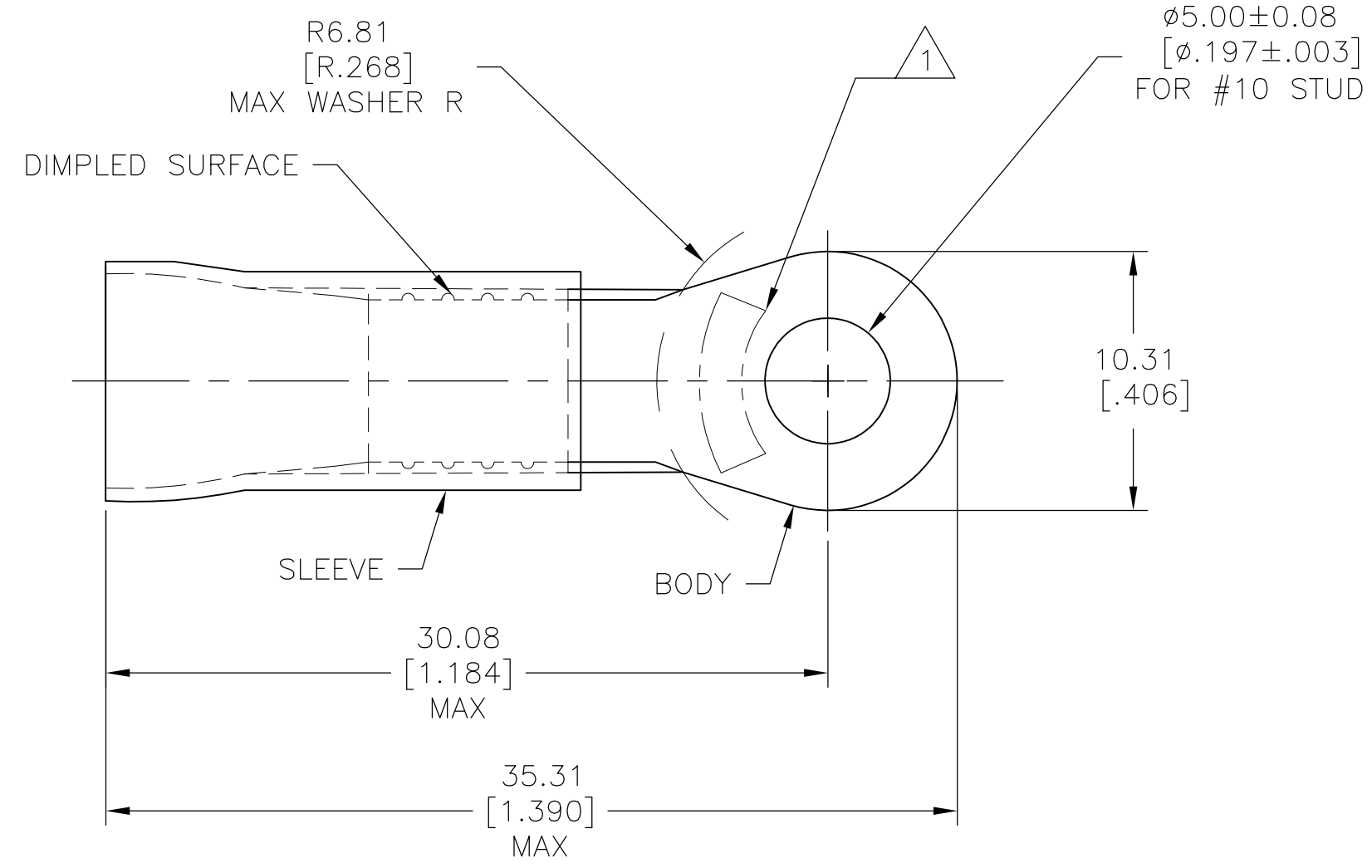
THIS DRAWING IS UNPUBLISHED. RELEASED FOR PUBLICATION
 © COPYRIGHT - By - ALL RIGHTS RESERVED.

LOC	DIST	REVISIONS			
P	LTR	DESCRIPTION	DATE	DWN	APVD
G	14	C1	REVISED PER ECO-12-007419	20APR12	KH DR

AMP
WIRE RANGE

8 AWG
STRANDED

- 1 STAMP AMP 8* LOCATE APPROX AS SHOWN
- 2 TONGUE MATERIAL THK 1.22±0.08[.048±.003]
- 3 TAPE ITEMS ARE ON 30.48 [1.200] CENTERS
- 4 FOR 9.14[.360]MAX INSULATION DIAMETER.



500	ON TAPE	696050-2
100	LOOSE PIECE	696050-1
QTY	PACKAGE TYPE	PART NO.

AMP INCORPORATED CUSTOMER SERVICE SYSTEMS		MAX RECOMMENDED OPERATING TEMPERATURE: 105° C [221°F]	THIS DRAWING IS A CONTROLLED DOCUMENT.		DWN JR RUTH 31MAY00	STE TE Connectivity
FOR ADDITIONAL PRODUCT INFORMATION OR COPIES OF DRAWINGS AND TECHNICAL DOCUMENTS	PRODUCT INFORMATION CENTER 1-800-522-6752	VOLTAGE RATING: 600 V MAX	DIMENSIONS: mm [INCHES]	TOLERANCES UNLESS OTHERWISE SPECIFIED:	CHK M FEHER 31MAY00	
FOR APPLICATION TOOLING INFORMATION	TOOLING ASSISTANCE CENTER 1-800-722-1111	CIRCULAR MIL AREA: 6.64-10.54mm ² [13,100-20,800] STRANDED		0 PLC ± - 1 PLC ± - 2 PLC ± 0.20[.008] 3 PLC ± - 4 PLC ± - ANGLES ± -	APVD T MICHELUTTI 31MAY00	
FOR ORDER ENTRY	1-800-526-5142	THIS DRAWING IS A CONTROLLED DOCUMENT FOR AMP INCORPORATED. IT IS SUBJECT TO CHANGE AND THE CONTROLLING ENGINEERING ORGANIZATION SHOULD BE CONTACTED FOR THE LATEST REVISION.	MATERIAL COPPER PER ASTM B-152 SLEEVE-PVC, RED	FINISH TIN PLATE PER ASTM B545	PRODUCT SPEC -	NAME TERMINAL, RING TONGUE, PLASTI-GRIP, WIRE SIZE:8 AWG
			CUSTOMER DRAWING		WEIGHT -	SIZE A3
					CAGE CODE 00779	
					DRAWING NO C-696050	
					RESTRICTED TO -	
					SCALE NTS	
					SHEET 1 OF 1	
					REV C1	

单击下面可查看定价，库存，交付和生命周期等信息

[>>TE Connectivity\(泰科\)](#)