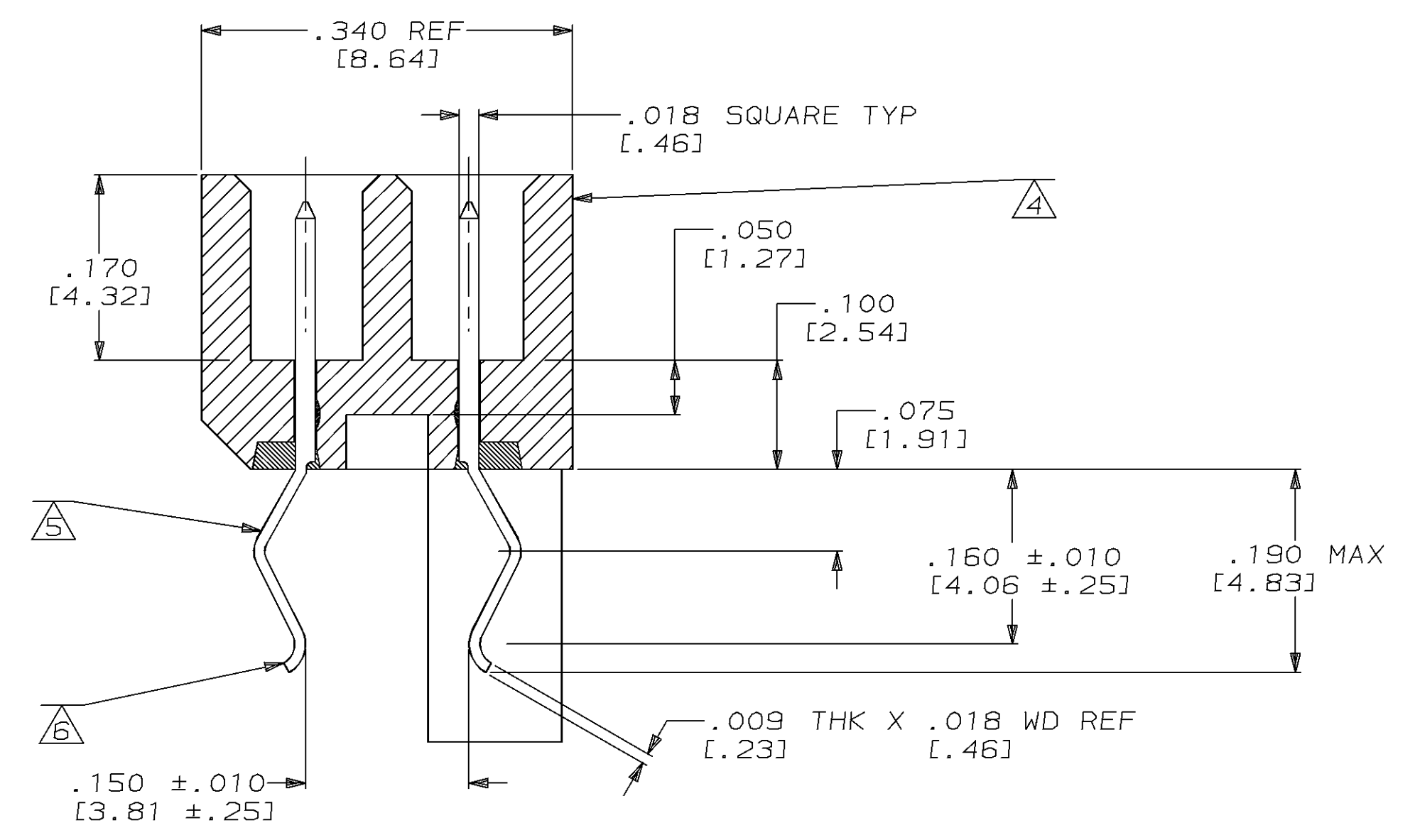
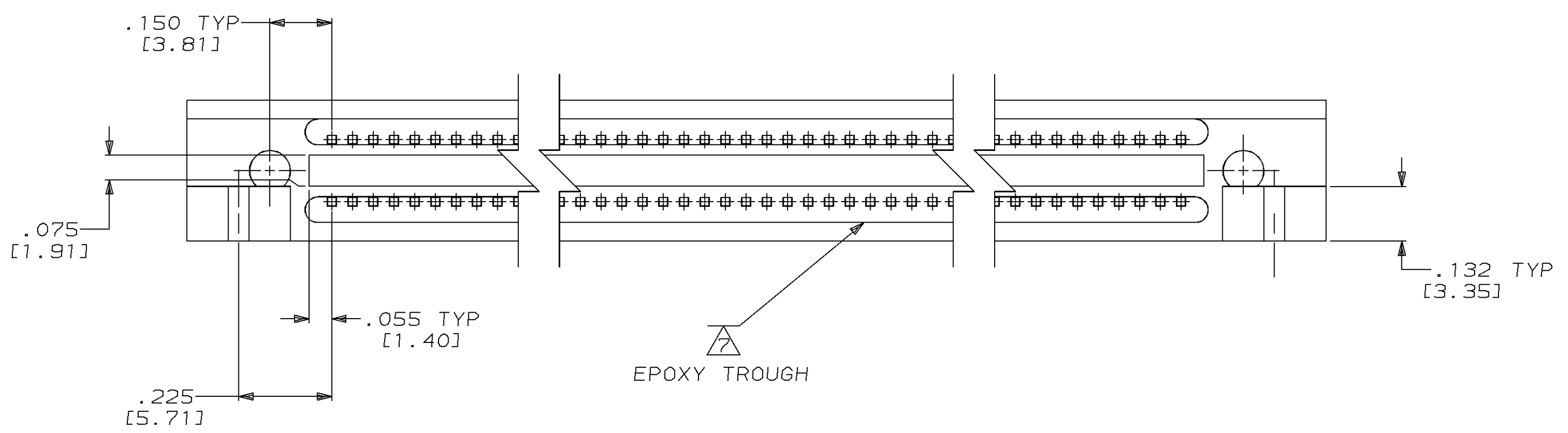
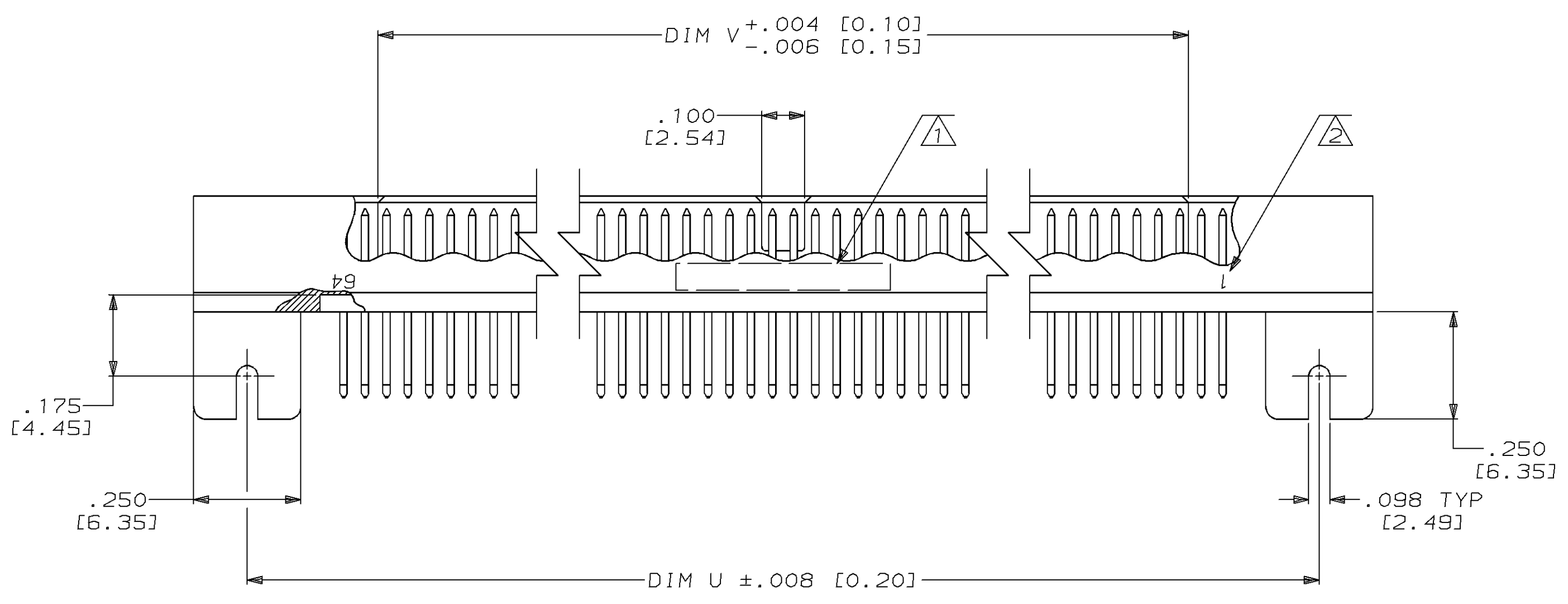
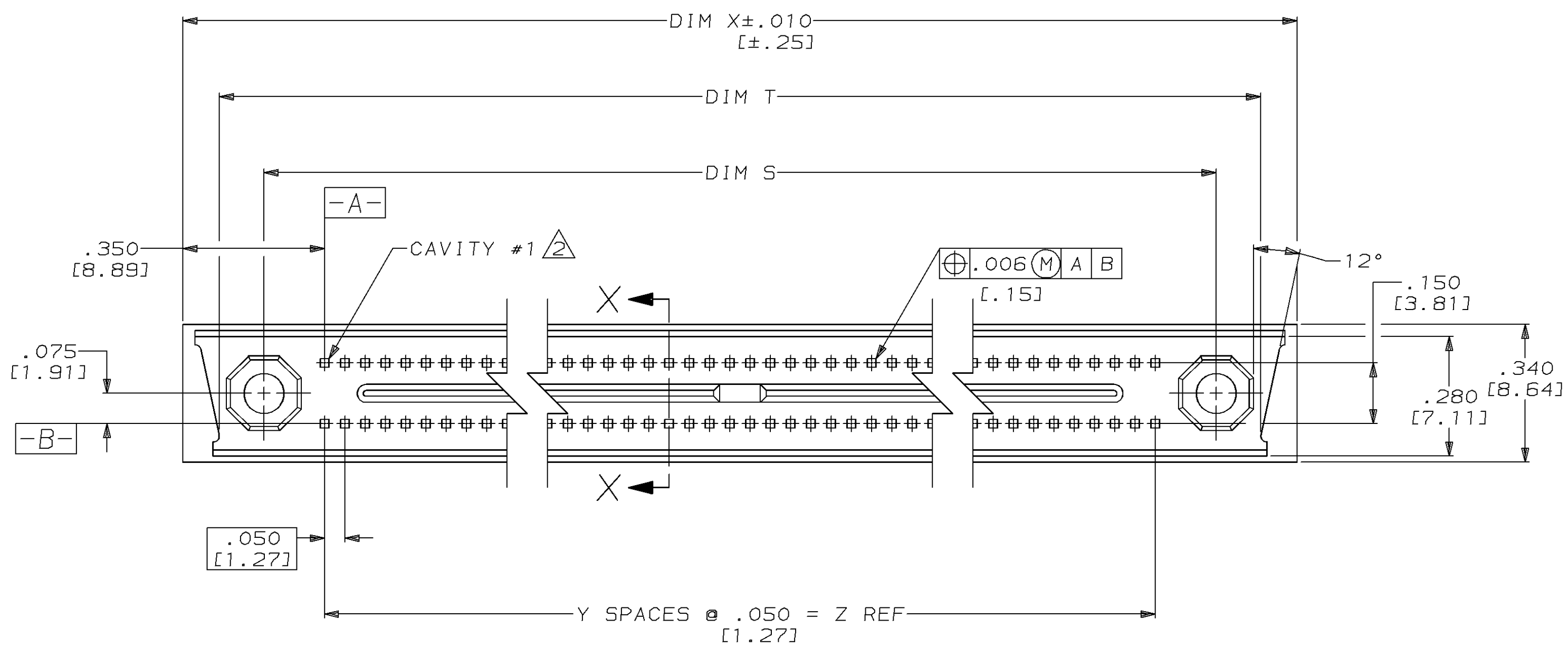
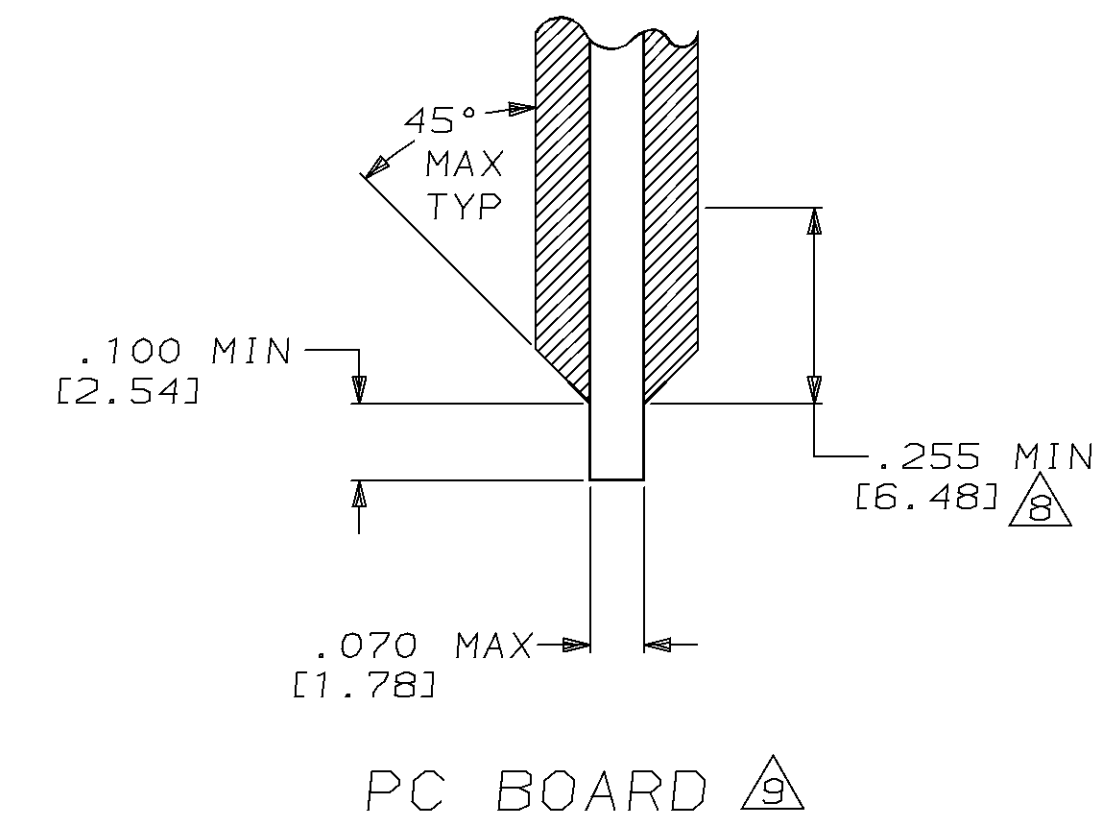


PROJ	LOC	DIST	P	F	ZONE	LTR	DESCRIPTION	DATE	APPD	
5327	DF	F0					REV & REDWN PER DF-5332	A. G.	1-92	DG
							REV PER 0600-1388-93	TA	5-4-94	DG



SECTION X-X
SCALE 8:1



- 1. AMP, PART NUMBER & DATE CODE MARKED THIS SIDE ONLY.
- 2. NUMBERS INDICATING END POSITIONS MARKED THIS SIDE 1 AND 64, OPPOSITE SIDE 64 AND 1.
- 3. MEET ALL APPLICABLE REQUIREMENTS OF MIL-C-55302.
- 4. HOUSING MATERIAL: LIQUID CRYSTAL POLYMER PER MIL-M-24519, GLCP-30F; COLOR: GRAY.
- 5. CONTACT MATERIAL: BRASS.
- 6. CONTACT FINISH: .000050 GOLD IN CONTACT AREA, NICKEL UNDERPLATE ALL OVER, TAILS DIPPED BY AMP FOR SOLDERING.
- 7. EPOXY ADDED TO BOTTOM WHERE CONTACT TAILS EXIT FROM THE HOUSING. EPOXY SHALL BE SUB-SURFACE BETWEEN CONTACT ROWS WHERE PCB INTERFACES.
- 8. THE POINT WHERE THE CONNECTOR EARS INTERFACES THE P.C. BD. THE BOARD SHALL BE NO THICKER THAN THE CORE FITTING INTO THE CONNECTOR SLOT.
- 9. EXTREME CARE AND CAUTION MUST BE TAKEN WHEN INSERTING P.C. BD. ON CONTACT TAILS.

7303050CN794706-2	3.150 [80.01]	63	3.850 [97.79]	2.990 [75.95]	3.600 [91.44]	3.670 [93.22]	3.450 [87.63]	128	534664-1
CUSTOMER PART NUMBER	DIM Z	DIM Y	DIM X	DIM V	DIM U	DIM T	DIM S	NUMBER OF CONTACTS	PART NUMBER
DO NOT SCALE PRINT. UNLESS SPECIFIED DIMENSIONS IN INCHES [mm] TOLERANCES ON:					DR 2-20-91 T. SHUEY		AMP AMP Incorporated Harrisburg, PA 17105-3608		
2 PLC DEC ± .005 (0.13)					CHK 12-31-91 D. GUTTER				
3 PLC DEC ± .005 (0.13)					APPD 12-31-91 D. GUTTER		NAME		
ANGLES ± 0° 30'					APPD 12-31-91 D. GUTTER		ASSEMBLY, PIN HEADER, MINI-BOX,		
MATERIAL					PRODUCT SPEC		SHROUDED, CARD EXTENDER		
FINISH					APPLICATION SPEC		SIZE	CAGE CODE	DRAWING NO
							D	00779	534664
							SCALE	4:1	SHEET 1 OF 1

单击下面可查看定价，库存，交付和生命周期等信息

[>>TE Connectivity\(泰科\)](#)