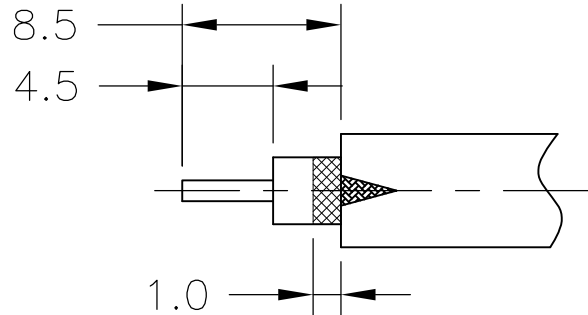
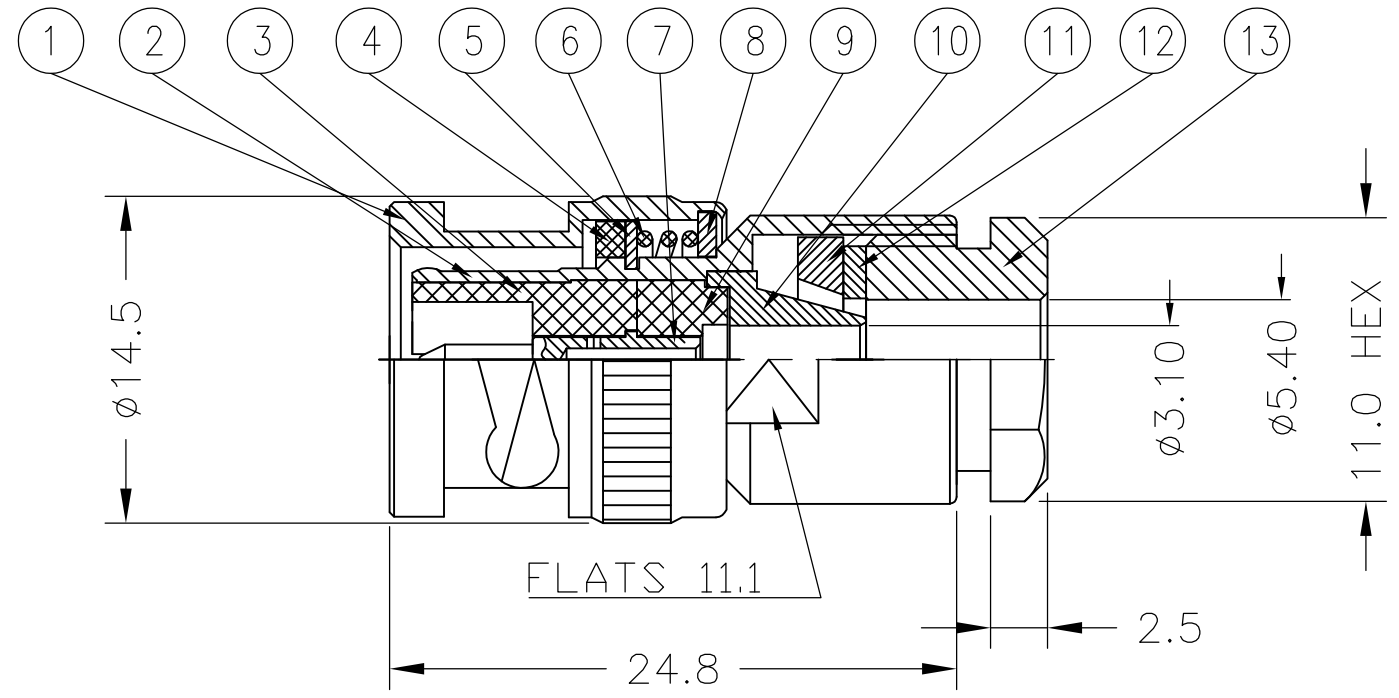


THIS DRAWING IS UNPUBLISHED. RELEASED FOR PUBLICATION  
 © COPYRIGHT - By - ALL RIGHTS RESERVED.

REVISIONS				
P	LTR	DESCRIPTION	DATE	APVD
C		REVISE PER ECO-14-017963	19SEP2016	LN RS

- NOTES:**
- 1 SINGLE PACKING: ONE CONNECTOR PER LABELED BAG PACKAGED. LABELED PER TEC-107-115
  - 2 Ag PLATING
  - 3 COLOR: WHITE
  - 4 ELECTRICAL CHARACTERISTICS  
 FREQUENCY RANGE: DC - 4 GHz  
 NOMINAL IMPEDANCE: 50 Ohm  
 INSULATION RESISTANCE: 5000 MOhm  
 WORKING VOLTAGE: 500 Volts RMS at Sea Level  
 DIELECTRIC WITHSTAND VOLTAGE: 1200 Volts RMS Max  
 CONTACT RESISTANCE:  
 CENTRE CONTACT: 1.00 mOhm Max  
 OUTER CONTACT: 1.00 mOhm Max  
 VSWR @ 4GHz: 1.30:1 Max  
 INSERTION LOSS dB @ x 3 GHz: 0.30 Max
  - 5 MECHANICAL CHARACTERISTICS  
 CABLE RETENTION FORCE: 170N Min  
 DURABILITY: 500 Cycles Min
  - 6 ENVIRONMENTAL CHARACTERISTICS  
 OPERATING TEMPERATURE: -65 to +165 DegC
  - 7 ALL DIMENSIONS ARE NOMINAL FOR REFERENCE ONLY UNLESS OTHERWISE STATED
  - 8 FOR USE ON CABLES: RG58C/U, 141A/U, URM43, 76, BELDEN 9907
  - 9 TRAY PACKAGE



RECOMMENDED STRIPPING DIMENSIONS

QTY	QTY PER ASSY	MATERIAL	DESCRIPTION	ITEM
1	1	BRASS	NUT	13
1	1	BRASS	WASHER	12
1	1	BRASS	CLAMP	11
1	1	BRASS	SLEEVE	10
1	1	PTFE	INSULATOR II	9
1	1	BRASS	WASHER	8
1	1	BRASS	CENTER CONTACT	7
1	1	STEEL	SPRING	6
1	1	PHOS BRONZE	RING	5
1	1	SILICONE RUBBER	GASKET	4
1	1	PTFE	INSULATOR I	3
1	1	BRASS	BODY	2
1	1	BRASS	SHELL	1
6--0	1--0	MATERIAL	DESCRIPTION	ITEM

THIS DRAWING IS A CONTROLLED DOCUMENT.		DWN A.BEKEN 21NOV2001	TE Connectivity <b>BNC STRAIGHT PLUG SOLDER (PS) RG58 50 OHM</b>			
DIMENSIONS: mm		CHK F W-KING 21NOV2001				
TOLERANCES UNLESS OTHERWISE SPECIFIED:		APVD R.G 21NOV2001				
0 PLC ± - 1 PLC ± - 2 PLC ± - 3 PLC ± - 4 PLC ± - ANGLES ± -		NAME				
MATERIAL		PRODUCT SPEC	SIZE	CAGE CODE	DRAWING NO	RESTRICTED TO
FINISH		APPLICATION SPEC	411-3274	A300779	C-1478401	-
		WEIGHT	0	CUSTOMER DRAWING		SCALE 1:1 SHEET 1 OF 1 REV C

单击下面可查看定价，库存，交付和生命周期等信息

[>>TE Connectivity\(泰科\)](#)