

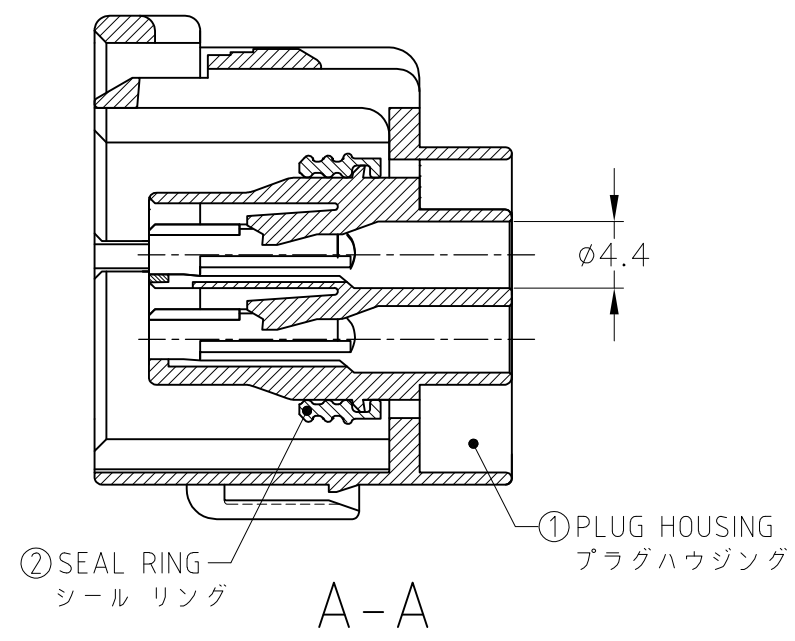
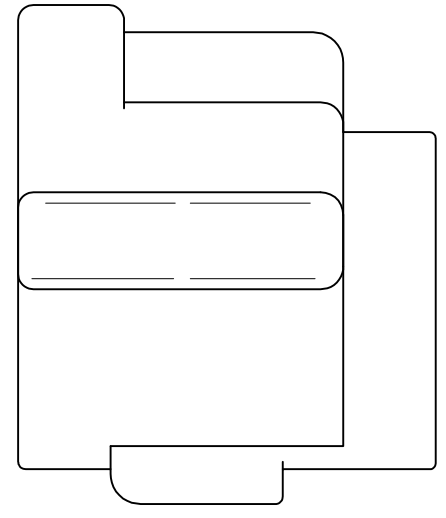
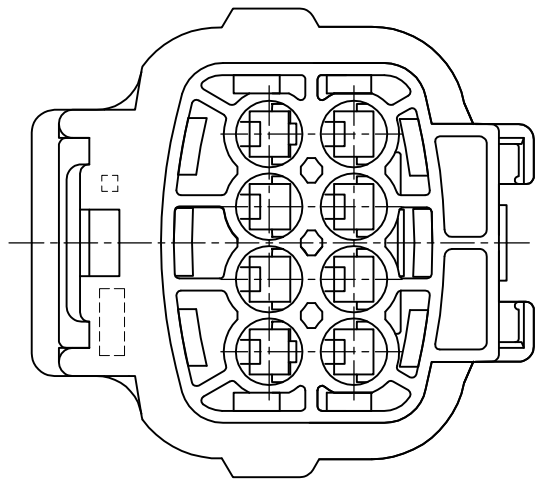
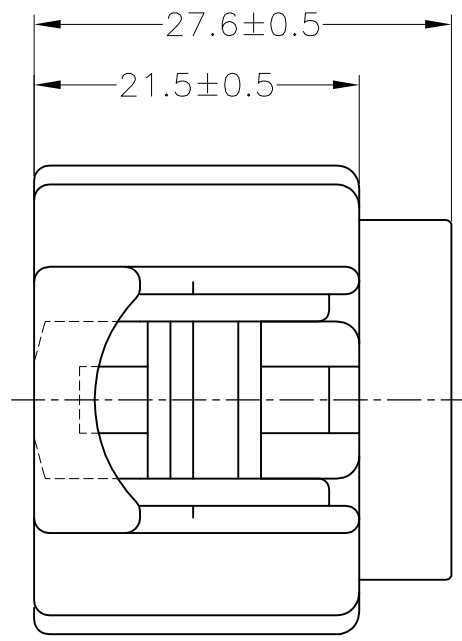
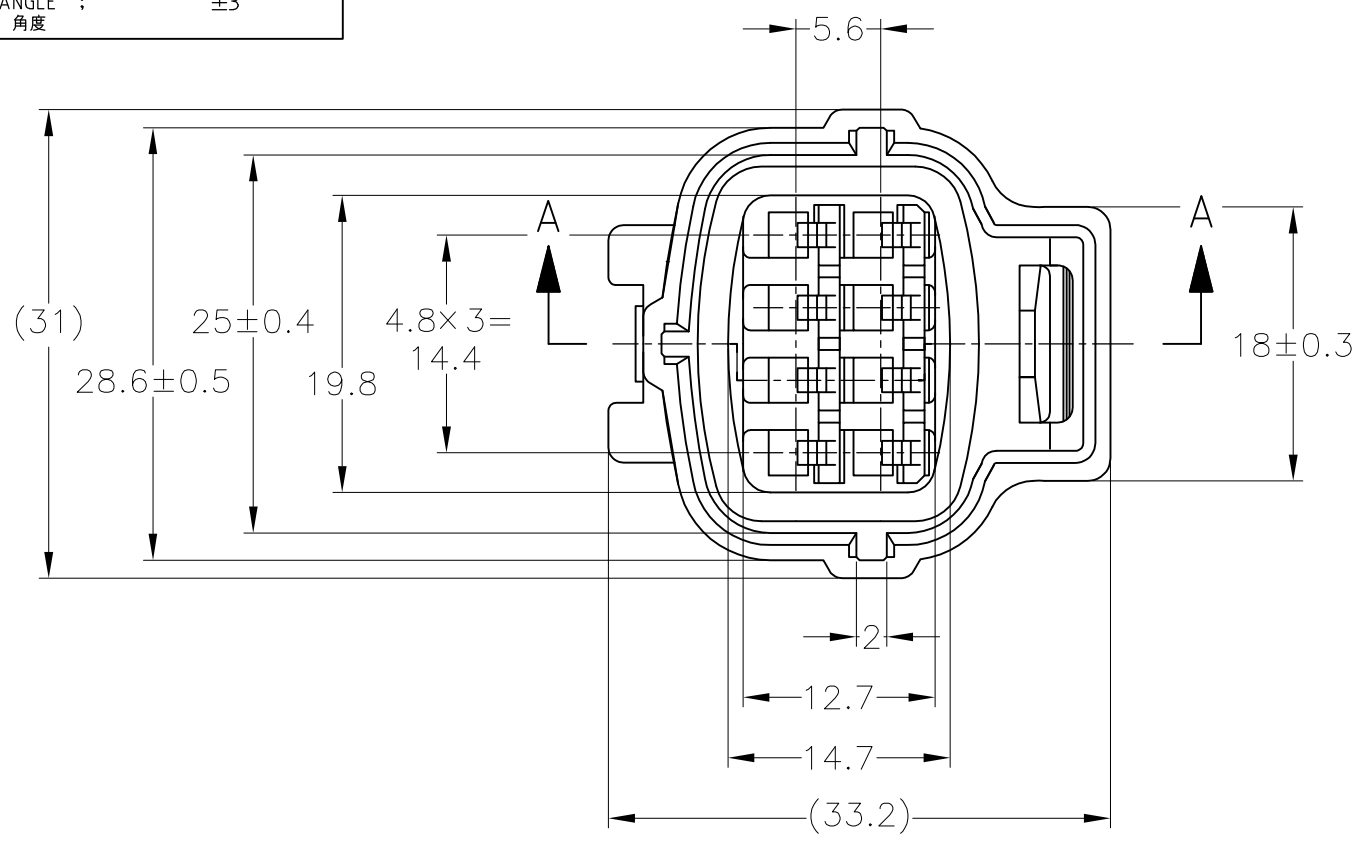
THIS DRAWING IS UNPUBLISHED. RELEASED FOR PUBLICATION JUN, - .

© COPYRIGHT 2014 Tyco Electronics Japan G.K. ALL RIGHTS RESERVED.

LOC	DIST	REVISIONS			
J	-	変更			
P	LTR	DESCRIPTION	DATE	DWN	APVD
	A1	REVISED	ECR-14-016547	12NOV14	DM TK

TOLERANCE UNLESS OTHERWISE SPECIFIED:
一般公差

0 < x ≤ 10 : ±0.2
10 < x ≤ 30 : ±0.25
30 < x ≤ 100 : ±0.3
ANGLE : ±3°
角度



- 1. 嵌合相手型番 : 174984
 - 2. 本品はプラグハウジング単体にシールリングがアッセンブリされたものである。
 - 3. 本品はダブルロックプレート型番 174983を装着して使用する。
 - ⚠️ シールリングはフタル酸フリー品である。
- 1. FOR CAP HOUSING PN 174984
 - 2. THIS PART IS COMPOSED OF PLUG HOUSING AND SEAL RING
 - 3. THIS PART MUST BE USED WITH DOUBLE LOCK PLATE PN 174983
 - ⚠️ SEAL RING IS NON-BIS TYPE

NBR⚠️/BLACK	PBT/BLACK	2822393-1
② SEAL RING	① PLUG HOUSING	PART NUMBER
MATERIAL / COLOR		

THIS DRAWING IS A CONTROLLED DOCUMENT.		DWN D.MATSUURA 06AUG2014	STE TE Connectivity		
DIMENSIONS: 単位: 耗 mm		CHK S.IWATANI 06AUG2014			
TOLERANCES UNLESS OTHERWISE SPECIFIED: 一般公差		APVD T.KOHNO 06AUG2014	NAME 8Pos. ECONOSEAL J-MARKII+ CONNECTOR PLUG HOUSING		
0 PLC ± -		PRODUCT SPEC 製品規格 108-5262	SIZE		
1 PLC ± -		APPLICATION SPEC 取付適用規格 114-5082	CAGE CODE A300779		
2 PLC ± -		WEIGHT 11g	DRAWING NO 番号 C-2822393		
3 PLC ± -		CUSTOMER DRAWING	RESTRICTED TO -		
4 PLC ± -			SCALE 尺度 2:1		
ANGLES ± -		SHEET 1 OF 2			
MATERIAL 材料 SEE TABLE		REV A1			

THIS DRAWING IS UNPUBLISHED.

RELEASED FOR PUBLICATION

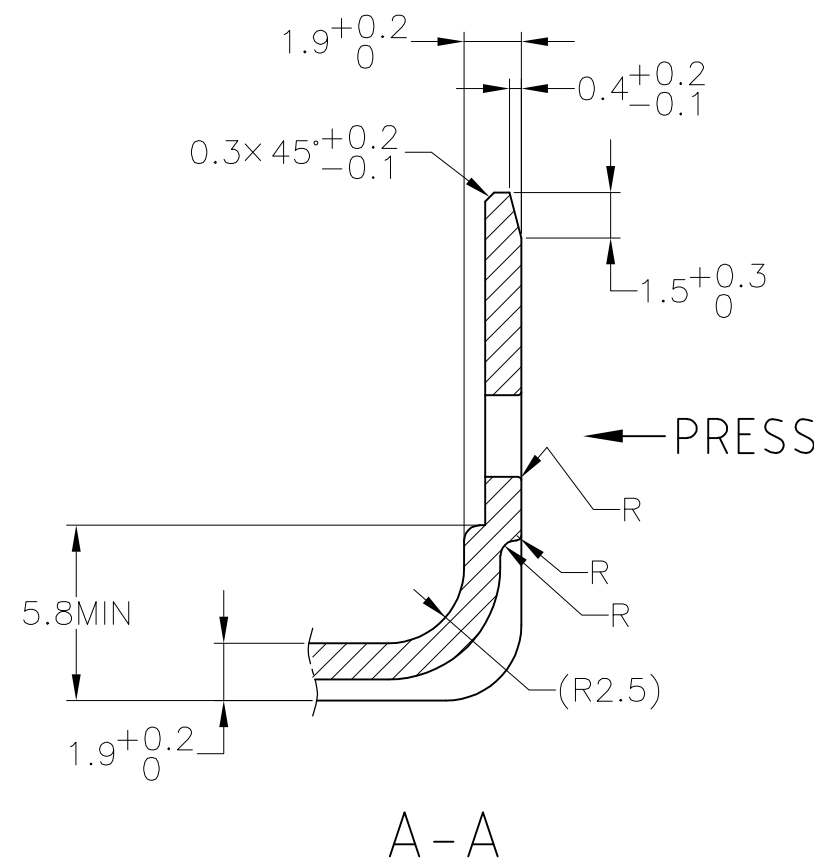
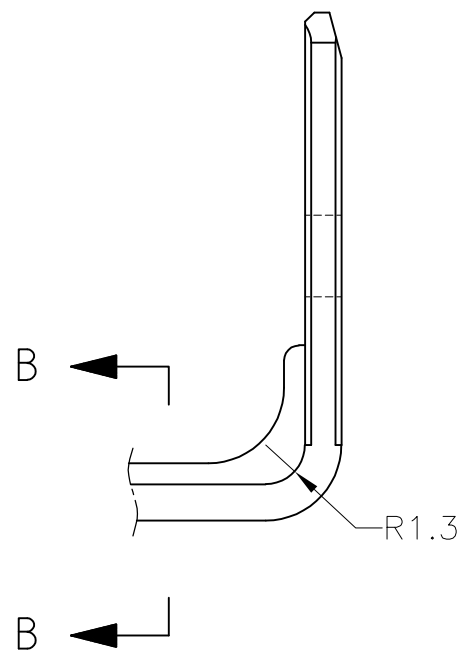
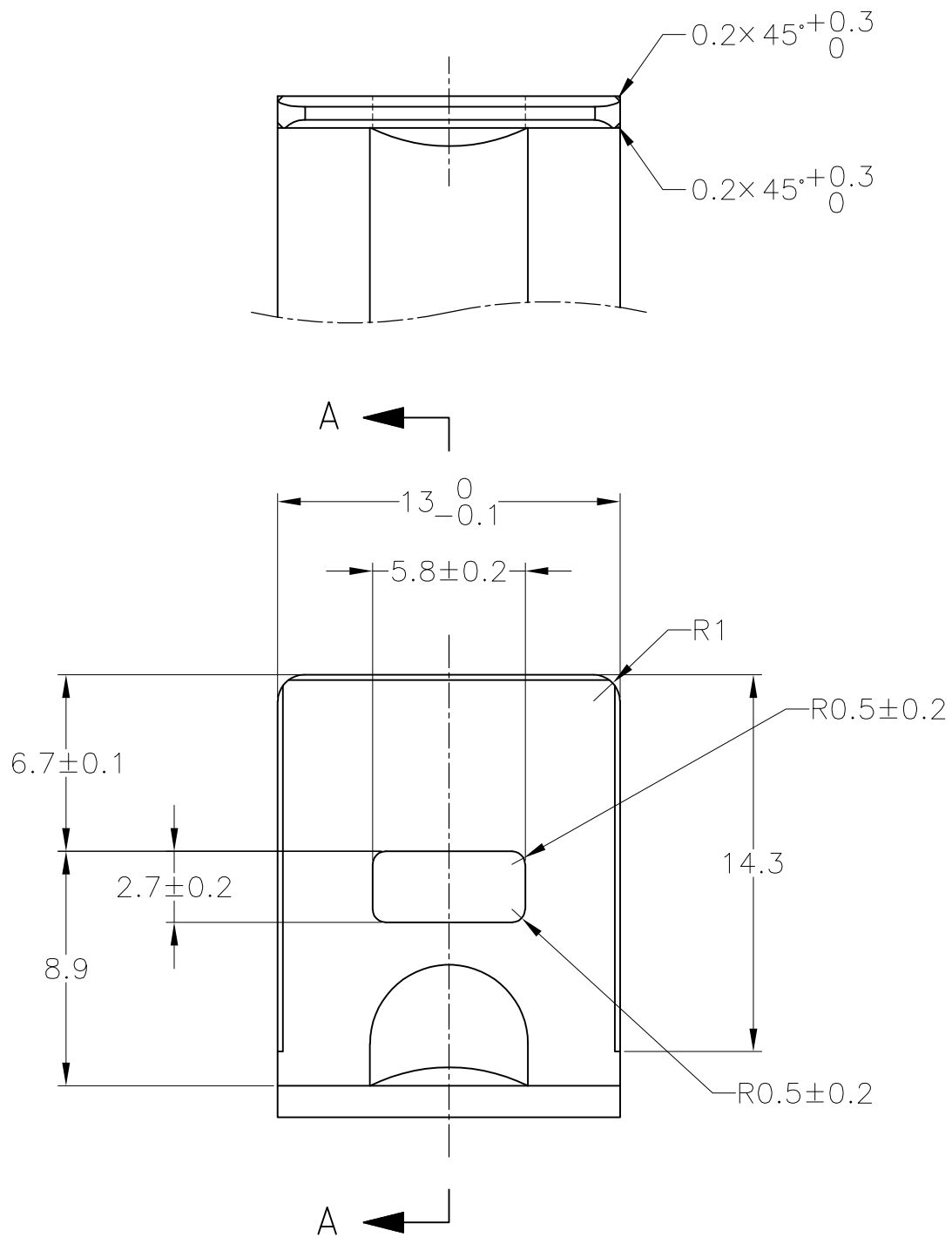
-. -. .

© COPYRIGHT - By Tyco Electronics Japan G.K.

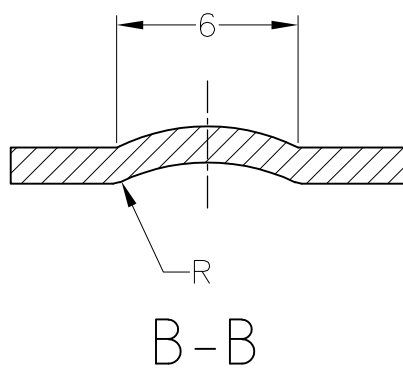
ALL RIGHTS RESERVED.

LOC	DIST	REVISIONS					
J	-	P	LTR	DESCRIPTION	DATE	DWN	APVD
		-		SEE SHEET 1	-	-	-

ブラケット推奨寸法図
RECOMMENDED DIMENSION OF BRACKET




t = 1.2 ± 0.08



TOLERANCE UNLESS OTHERWISE SPECIFIED:
一般公差

0 < x ≤ 10	: ±0.2
10 < x ≤ 30	: ±0.25
30 < x ≤ 100	: ±0.3
ANGLE ; 角度	: ±3°

THIS DRAWING IS A CONTROLLED DOCUMENT.		DWN D.MATSUURA	06AUG2014	 TE Connectivity											
DIMENSIONS: 単位: 耗 mm		CHK S.IWATANI	06AUG2014												
TOLERANCES UNLESS OTHERWISE SPECIFIED: 一般公差		APVD T.KOHNO	06AUG2014												
<table border="1"> <tr> <td>0 PLC</td> <td>± -</td> </tr> <tr> <td>1 PLC</td> <td>± -</td> </tr> <tr> <td>2 PLC</td> <td>± -</td> </tr> <tr> <td>3 PLC</td> <td>± -</td> </tr> <tr> <td>4 PLC</td> <td>± -</td> </tr> <tr> <td>ANGLES</td> <td>± -</td> </tr> </table>		0 PLC	± -			1 PLC	± -	2 PLC	± -	3 PLC	± -	4 PLC	± -	ANGLES	± -
0 PLC	± -														
1 PLC	± -														
2 PLC	± -														
3 PLC	± -														
4 PLC	± -														
ANGLES	± -														
MATERIAL 材料		PRODUCT SPEC 製品規格		8Pos. ECONOSEAL J-MARKII+ CONNECTOR PLUG HOUSING											
FINISH 仕上		APPLICATION SPEC 取付適用規格		SIZE	CAGE CODE										
WEIGHT		RESTRICTED TO		A3	00779										
CUSTOMER DRAWING		DRAWING NO 番号		G-2822393											
SCALE 尺度		SHEET		REV											
4:1		2 OF 2		A1											

单击下面可查看定价，库存，交付和生命周期等信息

[>>TE Connectivity\(泰科\)](#)