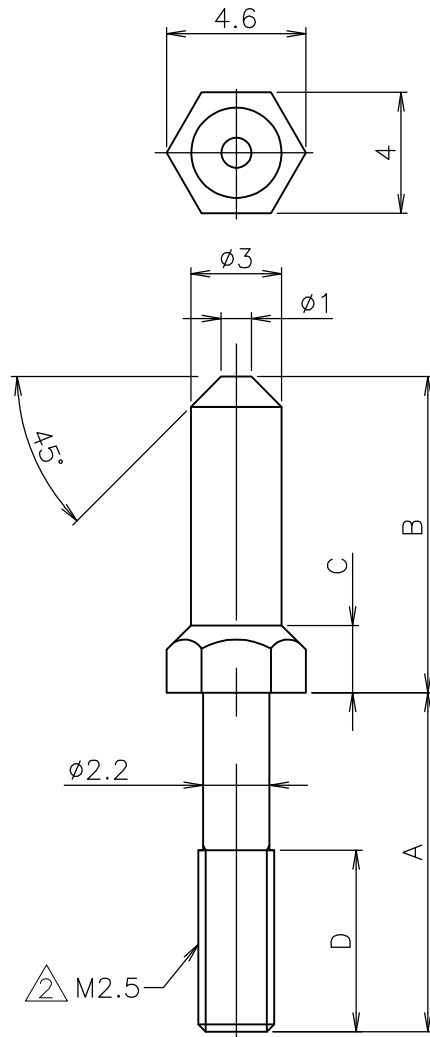


|          |      |           |     |                           |         |     |      |
|----------|------|-----------|-----|---------------------------|---------|-----|------|
| LOC<br>J | DIST | REVISIONS |     |                           |         |     |      |
|          |      | P         | LTR | DESCRIPTION               | DATE    | DWN | APVD |
|          |      |           | F   | REVISED PER ECR-12-013086 | 26MAR13 | K.M | E.T  |



注記

- 1. 材料及び仕上：黄銅、ニッケルメッキ
- ② ねじ部先端を除き、ゆるみ止め材料塗布  
(ロックタイト DRI-LOC 202, 203 相当)

NOTE

- 1. MATERIAL AND FINISH BRASS, Ni PLATE
- ② THREADLOCKING MATERIAL APPLIED, EXCEPT FOR THREAD TIP AREA.  
(EQUIVALENT LOCTITE DRI-LOC 202, 203)

② M2.5

|            |              |     |      |       |      |              |
|------------|--------------|-----|------|-------|------|--------------|
| ① OBSOLETE | MAKE FROM -1 | 6   | 2.22 | 10.45 | 11.2 | 2-177734-1 ② |
|            |              | 4.6 | 2.22 | 10.45 | 5.6  | 177734-5     |
|            |              | 6   | 3.02 | 11.25 | 10.4 | 177734-4     |
|            |              | 6   | 3.02 | 11.25 | 7    | 177734-3     |
|            |              | 6   | 2.22 | 10.45 | 7.8  | 177734-2     |
|            |              | 6   | 2.22 | 10.45 | 11.2 | 177734-1     |
|            | REMARKS      | D   | C    | B     | A    | P/N          |

THIS DRAWING IS UNPUBLISHED. RELEASED FOR PUBLICATION , 1993. ALL RIGHTS RESERVED.

COPYRIGHT 1993 By -

|  |                  |                  |                      |                        |
|--|------------------|------------------|----------------------|------------------------|
| DIMENSIONS:<br>mm                      | DWN<br>S.ABE     | 160CT02          | MATERIAL<br>SEE NOTE | FINISH<br>SEE NOTE     |
|  | CHK<br>H.SHIRAI  | 160CT02          | TE Connectivity      |                        |
| TOLERANCES UNLESS OTHERWISE SPECIFIED: | APVD<br>H.SHIRAI | 160CT02          |                      |                        |
| 0 PLC ± 0.25                           | PRODUCT SPEC     |                  | SIZE<br>A4           |                        |
| 1 PLC ± 0.25                           | APPLICATION SPEC |                  | CAGE CODE<br>00779   | DRAWING NO<br>C-177734 |
| 2 PLC ± 0.25                           |                  |                  | RESTRICTED TO<br>-   |                        |
| 3 PLC ±                                |                  |                  | SCALE<br>4:1         |                        |
| 4 PLC ±                                |                  |                  | SHEET<br>1 OF 1      |                        |
| ANGLES ± 3'                            | WEIGHT           |                  | REV<br>F             |                        |
|  |                  | CUSTOMER DRAWING |                      |                        |

单击下面可查看定价，库存，交付和生命周期等信息

[>>TE Connectivity\(泰科\)](#)