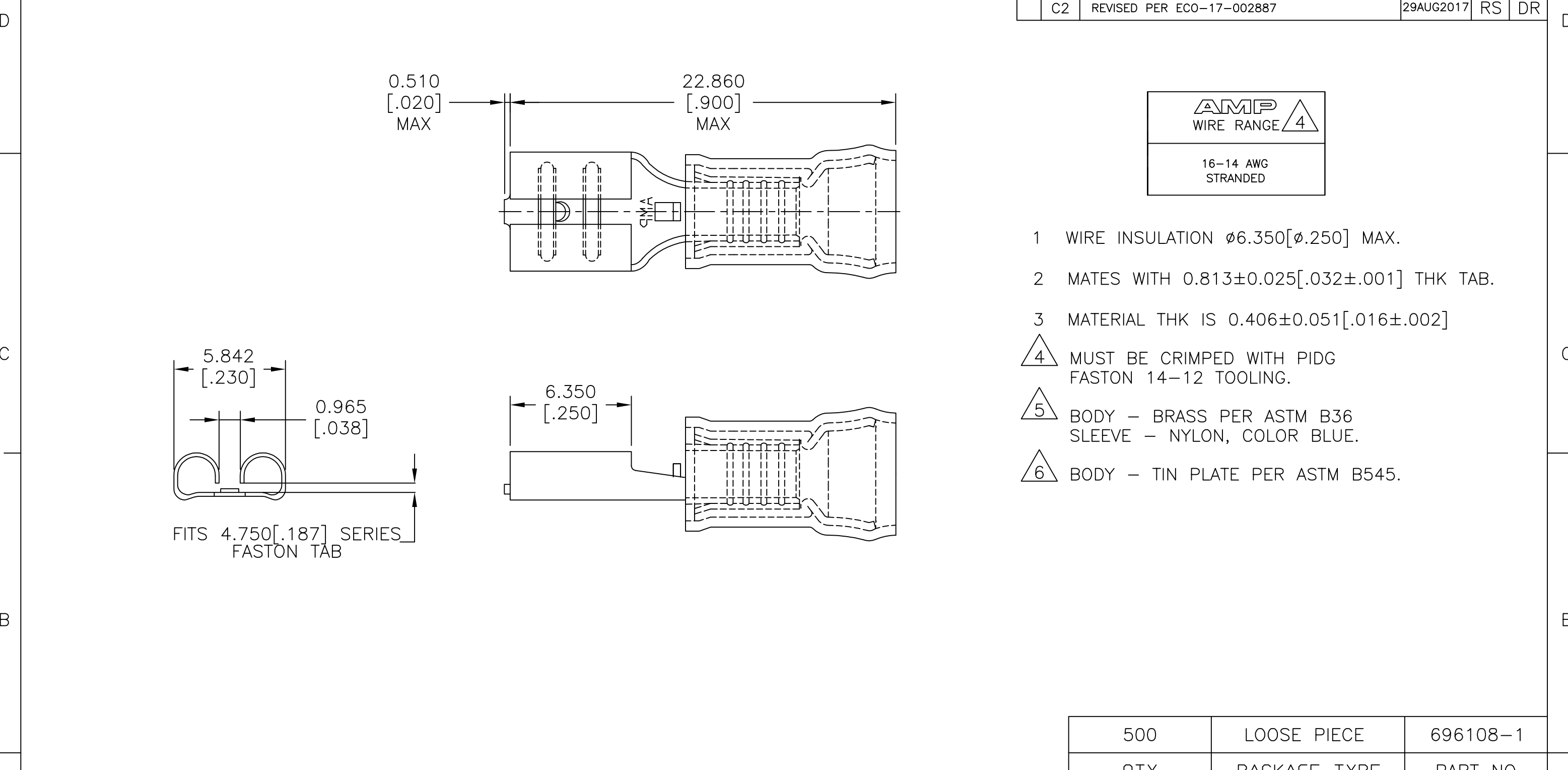


REVISIONS					
P	LTR	DESCRIPTION	DATE	DWN	APVD
	C1	CORRECTED VIEW	25MAY04	JR	TM
	C2	REVISED PER ECO-17-002887	29AUG2017	RS	DR



**AMP**  
 WIRE RANGE **4**  
 16-14 AWG  
 STRANDED

- 1 WIRE INSULATION  $\phi 6.350[\phi.250]$  MAX.
- 2 MATES WITH  $0.813 \pm 0.025[.032 \pm .001]$  THK TAB.
- 3 MATERIAL THK IS  $0.406 \pm 0.051[.016 \pm .002]$
- 4** MUST BE CRIMPED WITH PIDG FASTON 14-12 TOOLING.
- 5** BODY - BRASS PER ASTM B36 SLEEVE - NYLON, COLOR BLUE.
- 6** BODY - TIN PLATE PER ASTM B545.

500	LOOSE PIECE	696108-1
QTY	PACKAGE TYPE	PART NO

AMP INCORPORATED CUSTOMER SERVICE SYSTEMS		MAX RECOMMENDED OPERATING TEMPERATURE: 90°C [194°F]	THIS DRAWING IS A CONTROLLED DOCUMENT.		DWN jr_ruth 13APR99	<b>STE</b> TE Connectivity				
FOR ADDITIONAL PRODUCT INFORMATION OR COPIES OF DRAWINGS AND TECHNICAL DOCUMENTS	PRODUCT INFORMATION CENTER 1-800-522-6752	VOLTAGE RATING: 300V MAX	DIMENSIONS: mm [INCHES]	TOLERANCES UNLESS OTHERWISE SPECIFIED:	CHK T MICHELUTTI 13APR99				NAME	
FOR APPLICATION TOOLING INFORMATION	TOOLING ASSISTANCE CENTER 1-800-722-1111	CIRCULAR MIL AREA: 1.04-2.62mm² [2,050-5,180] STRANDED		0 PLC ± - 1 PLC ± - 2 PLC ± - 3 PLC ± 0.127[.005] 4 PLC ± - ANGLES ± 5°	APVD T MICHELUTTI 13APR99	RECEPTACLE, .187 SERIES FASTON, PIDG WIRE SIZE 16-14 AWG				
FOR ORDER ENTRY	1-800-526-5142	THIS DRAWING IS A CONTROLLED DOCUMENT FOR AMP INCORPORATED. IT IS SUBJECT TO CHANGE AND THE CONTROLLING ENGINEERING ORGANIZATION SHOULD BE CONTACTED FOR THE LATEST REVISION.	MATERIAL <b>5</b>	FINISH <b>6</b>	PRODUCT SPEC -	APPLICATION SPEC 114-1002	SIZE A3	CAGE CODE 00779	DRAWING NO C-696108	RESTRICTED TO -
					CUSTOMER DRAWING		SCALE 5:1	SHEET 1 OF 1	REV C2	

单击下面可查看定价，库存，交付和生命周期等信息

[>>TE Connectivity\(泰科\)](#)