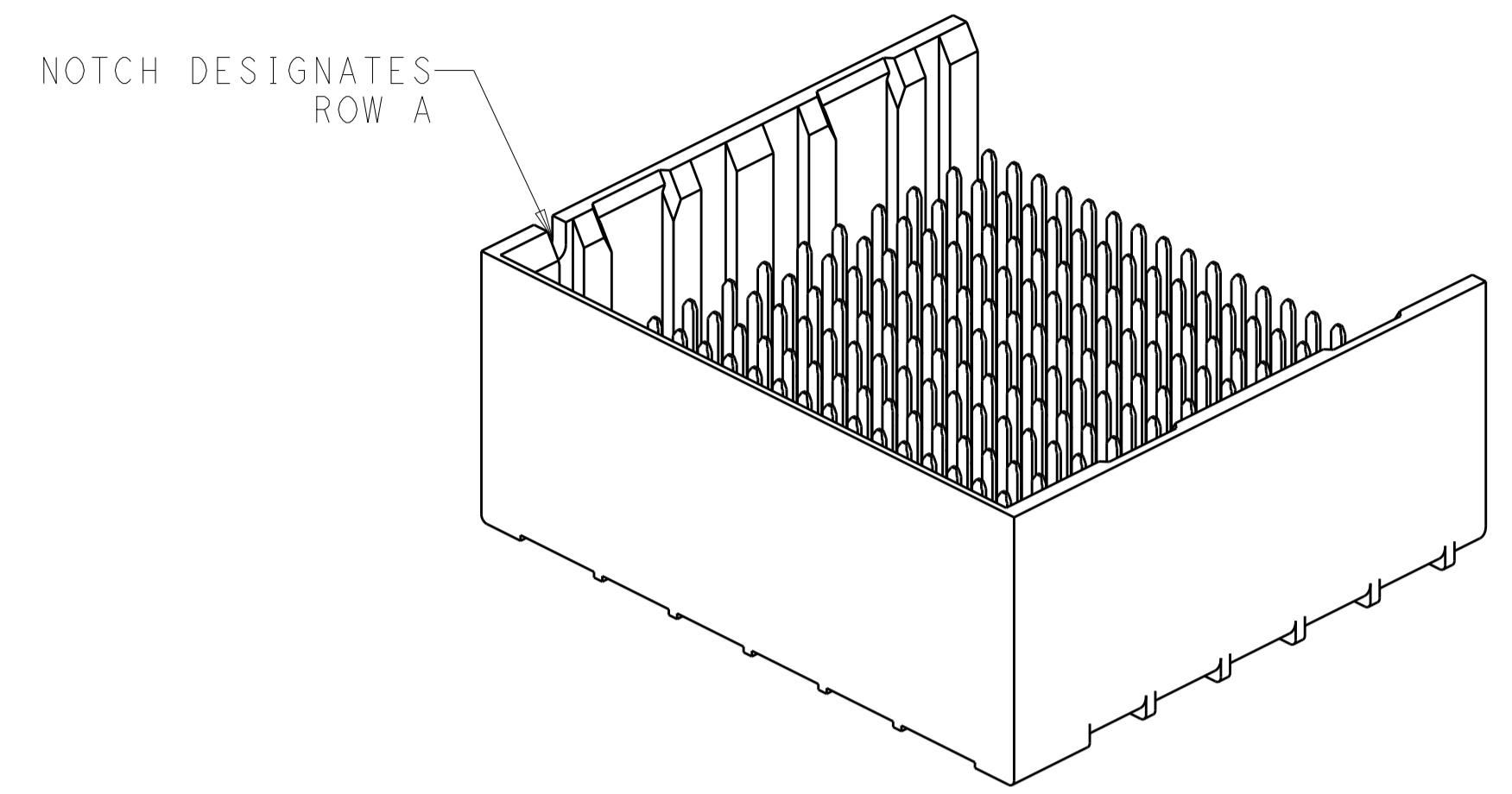
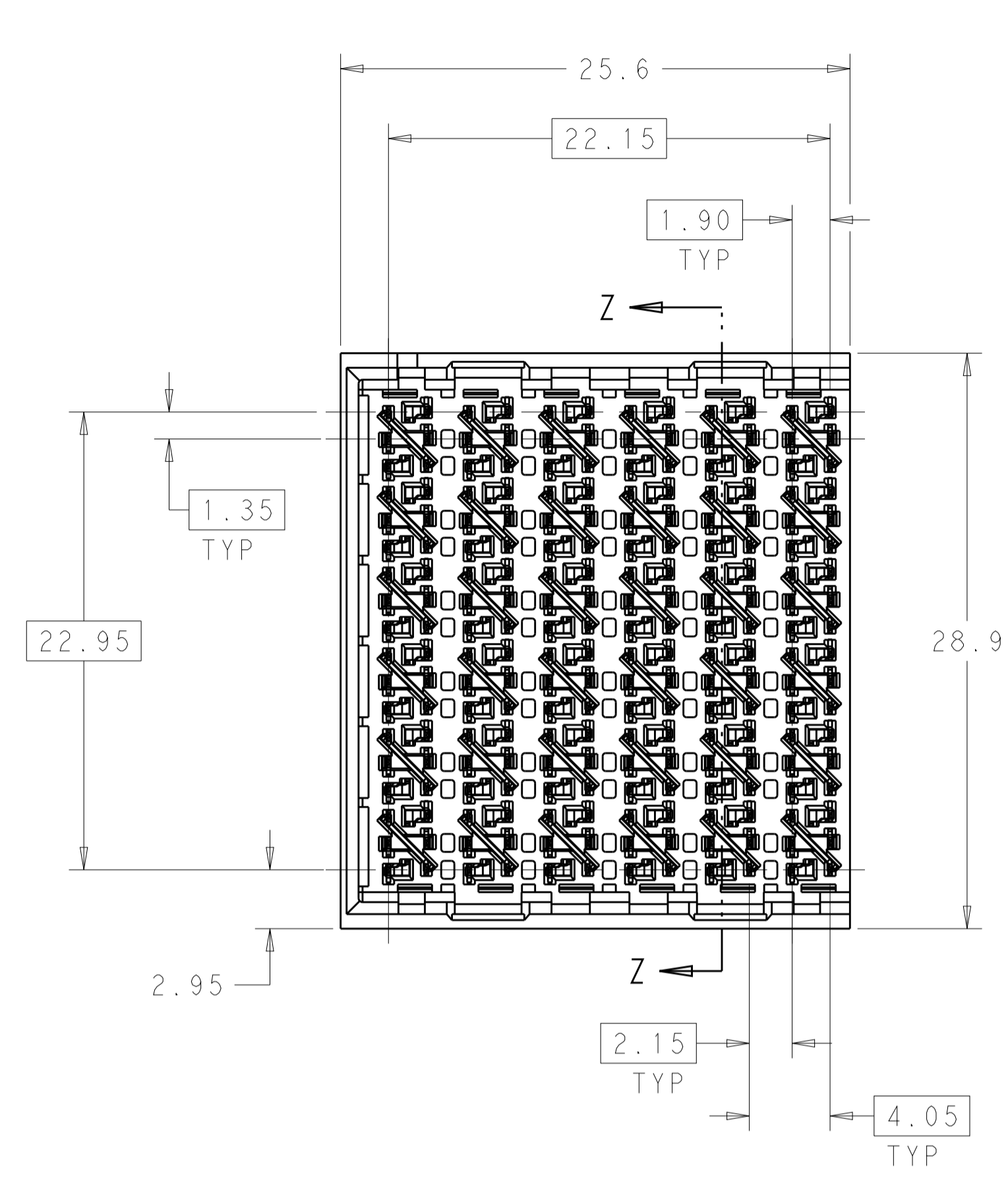
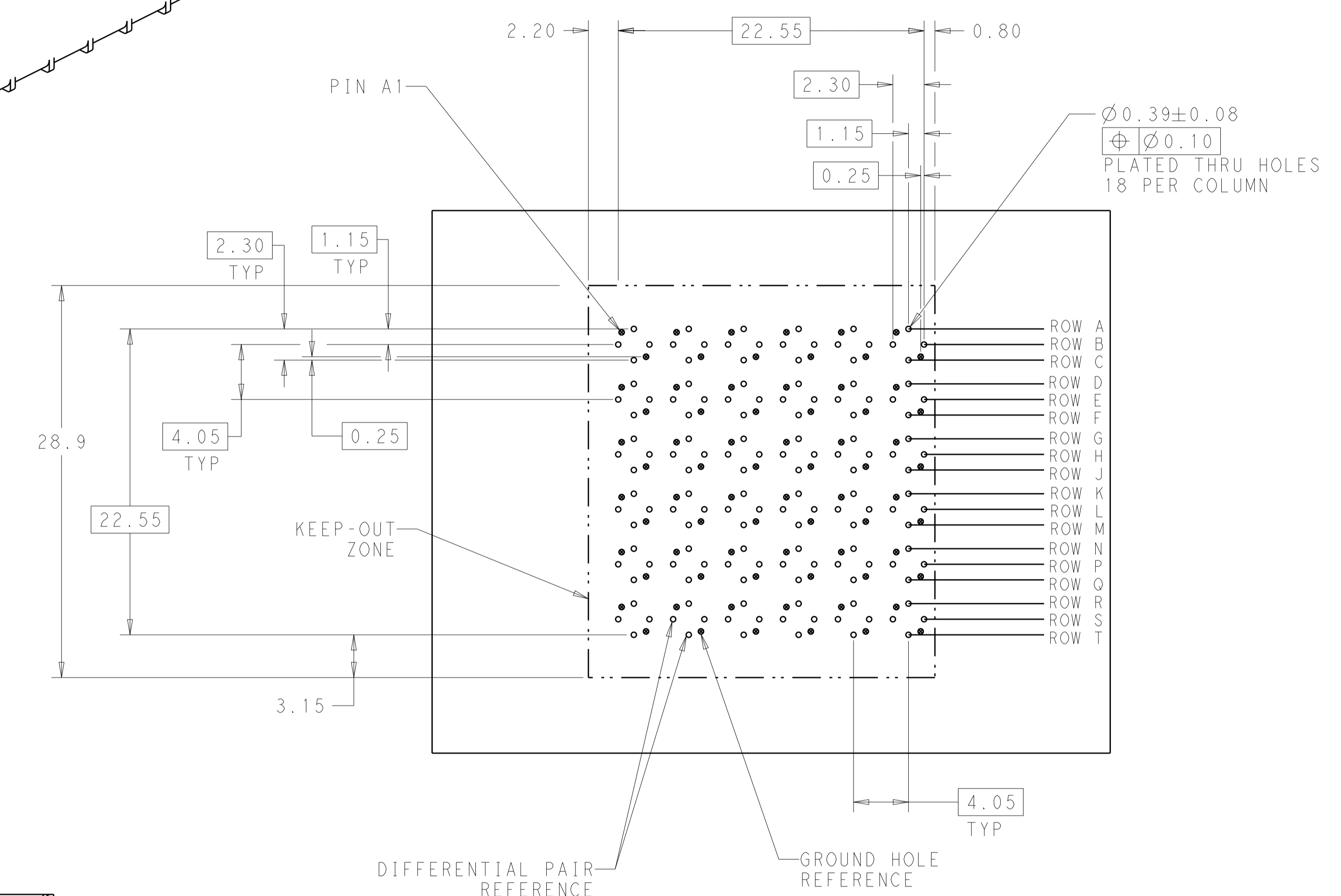


REVISIONS				
P.	LTN.	DESCRIPTION	DATE	APVD.
C		REVISED PER ECO-14-013273	04NOV2014	AP DD

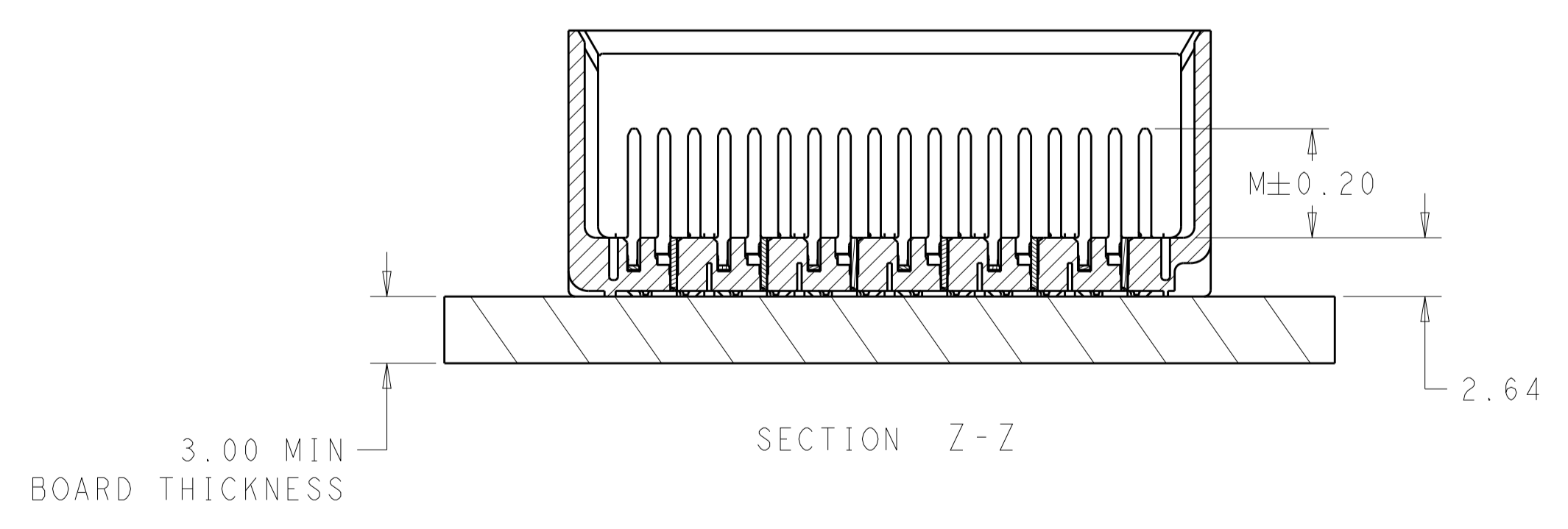
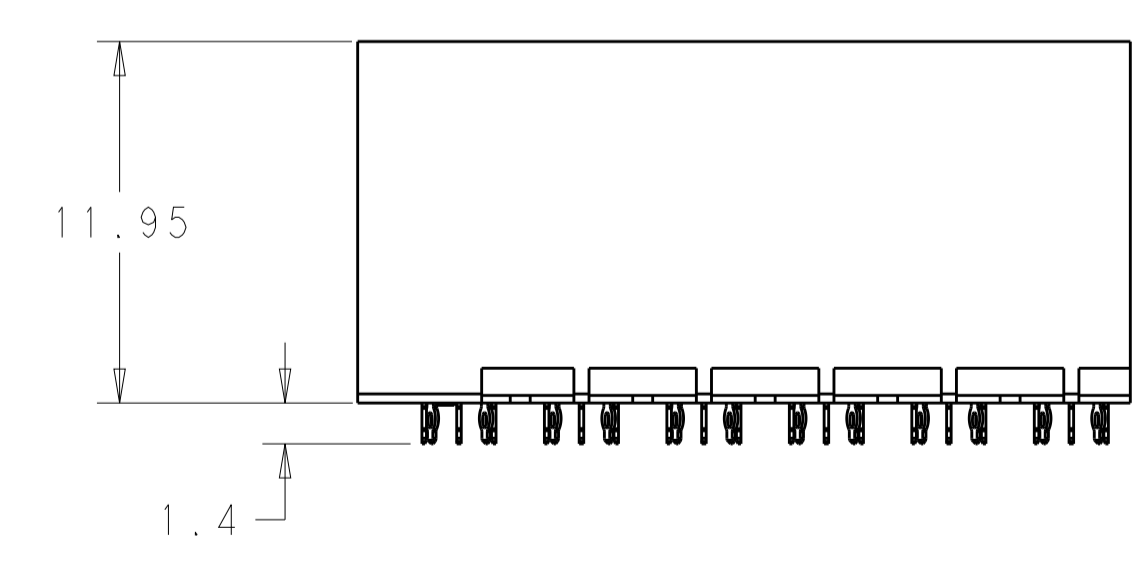


△ MATERIAL:
 HOUSING: LCP GLASS FILLED UL94V-0
 TERMINALS: HIGH PERFORMANCE COPPER ALLOY

△ FINISH:
 30μ" MIN GOLD IN CONTACT AREA
 SELECTIVE TIN ON PCB TAILS.
 NICKEL OVERALL.



LEFT GUIDED
 BACKPLANE HOLE PATTERN
 (CONNECTOR SIDE)
 SCALE 4:1



△	5.5	2143270-2
△	4.9	2143270-1
FINISH	DIM M	PART NUMBER

THIS DRAWING IS A CONTROLLED DOCUMENT.		DWN J. K. SHOBER 29DEC2010	TE Connectivity NAME: IMPACT, 6 PAIR, 12 COLUMN, UNGUIDED LEFT END WALL ASSEMBLY, ORTHOGONAL, 0.39 PTH SIZE: CAGE CODE DRAWING NO: A100779C=2143270 RESTRICTED TO:
DIMENSIONS: mm		CHK J. EARY 29DEC2010	
TOLERANCES UNLESS OTHERWISE SPECIFIED:		APVD J. EARY 29DEC2010	
0 PLC ± 1 PLC ±0.25 2 PLC ±0.13 3 PLC ± 4 PLC ± ANGLES ±0		PRODUCT SPEC	
MATERIAL	SEE TABLE	WEIGHT	CUSTOMER DRAWING
SCALE 4:1		SHEET 1 OF 1	REV C

单击下面可查看定价，库存，交付和生命周期等信息

[>>TE Connectivity\(泰科\)](#)