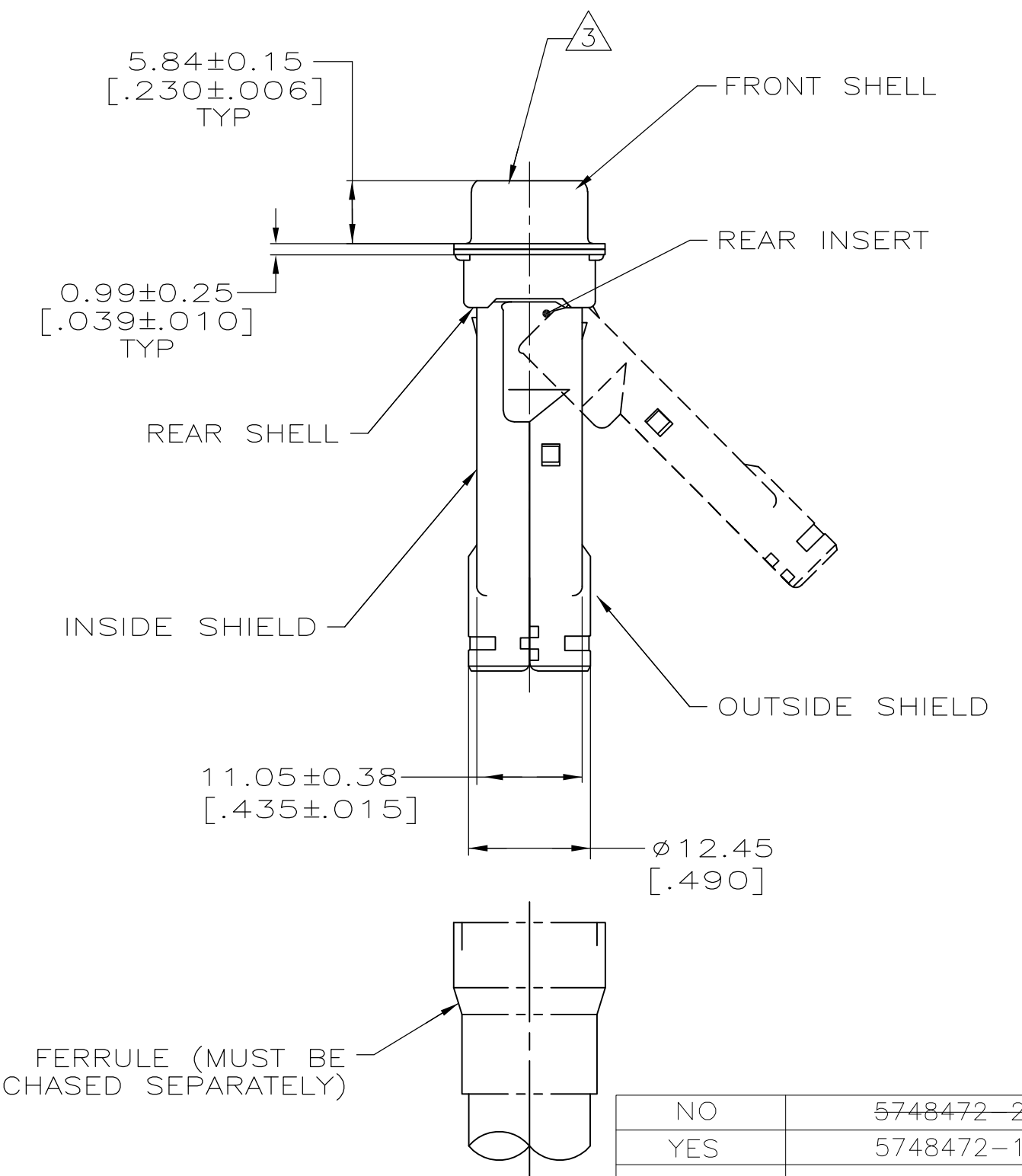
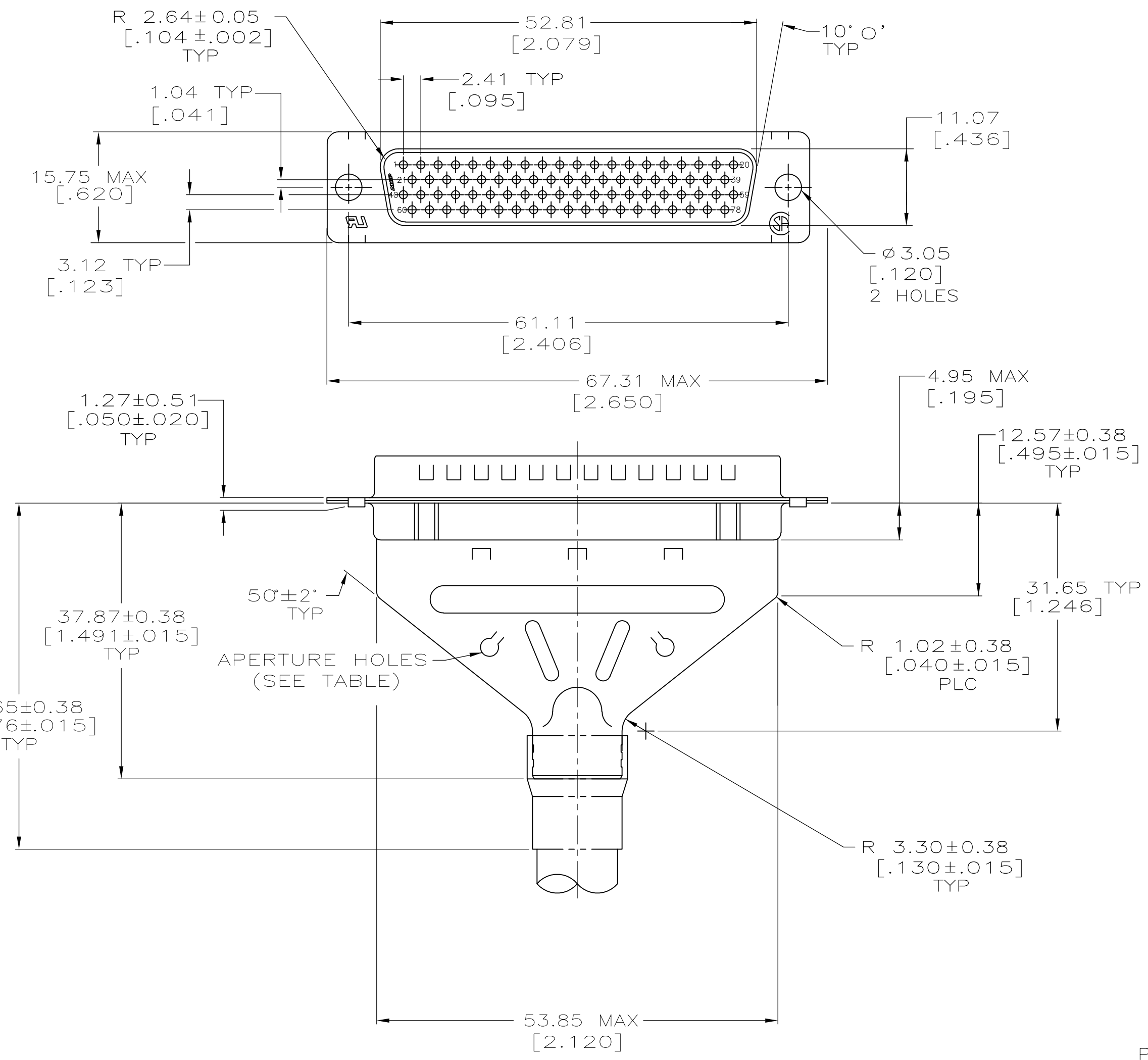


LOC	DIST	REVISIONS			
P	LTR	DESCRIPTION	DATE	OWN	APVD
0		RELEASED PER EC 0S13-0257-04	12-21-04	LV	JG
01		REVISED PER ECO-09-024927	10NOV09	KK	AEG



- ⚠ INSERTS: NYLON, BLACK, UL 94V-0 RATED. SHELLS & SHIELDS: CARBON STEEL PER ASTM A109.
- ⚠ SHELLS & SHIELDS: 5.08µm [.000200] MIN TIN OVER 2.54µm [.000100] MIN COPPER.
- ⚠ PLUG ACCEPTS SIZE 22 PIN CONTACTS. (CONTACTS MUST BE PURCHASED SEPARATELY).
- ⚠ OBSOLETE PARTS: OBSOLETE CIS STREAMLINING PER D.RENAUD/D.SINISI

THIS DRAWING IS A CONTROLLED DOCUMENT.		DWN L. VARELA - DOCK5 12-21-04	Tyco Electronics Corporation Harrisburg, PA 17105-3608	
DIMENSIONS: mm [inches]		CHK J. GERACE 12-21-04	NAME M. WALMSLEY 12-21-04	
TOLERANCES UNLESS OTHERWISE SPECIFIED:		APVD M. WALMSLEY 12-21-04	PRODUCT SPEC 108-1268	
0 PLC ± -		APPLICATION SPEC 114-10001		
1 PLC ± -		SIZE A2		
2 PLC ± ± 0.13 [.005]		CAGE CODE 00779		
3 PLC ± ± -		DRAWING NO 5748472		
4 PLC ± ± -		RESTRICTED TO -		
ANGLES ± ± 0° 30'		SCALE 2:1		
FINISH		SHEET 1 OF 1		
MATERIAL		REV 01		
CUSTOMER DRAWING				

单击下面可查看定价，库存，交付和生命周期等信息

[>>TE Connectivity\(泰科\)](#)