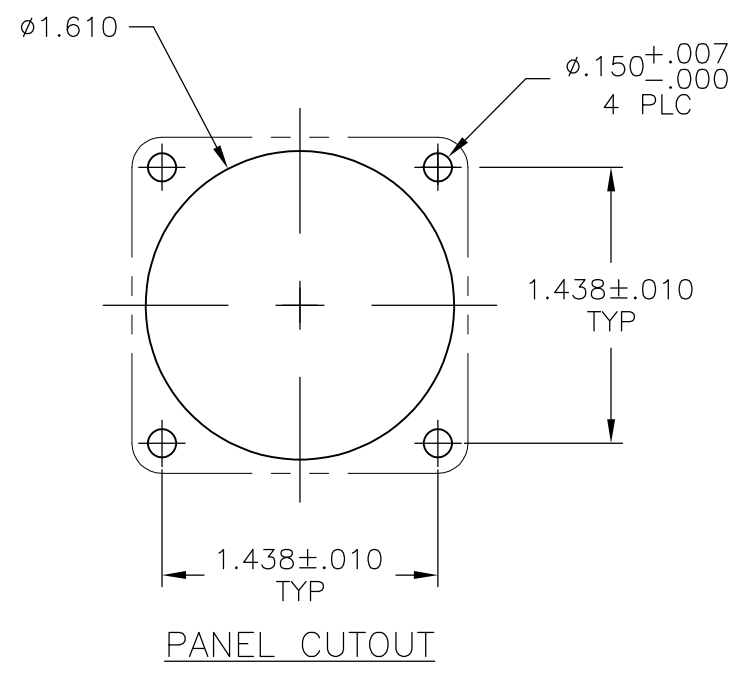
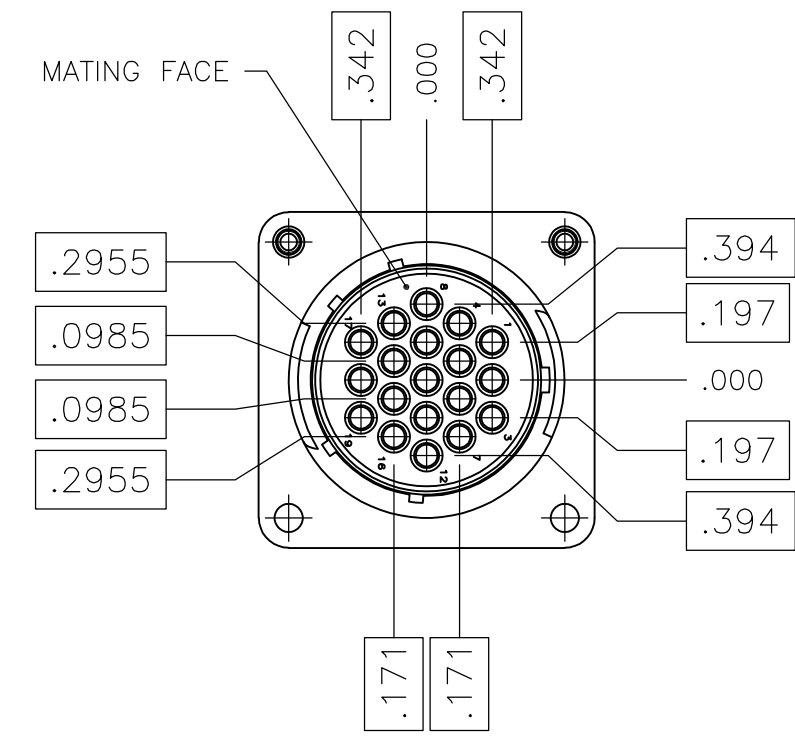
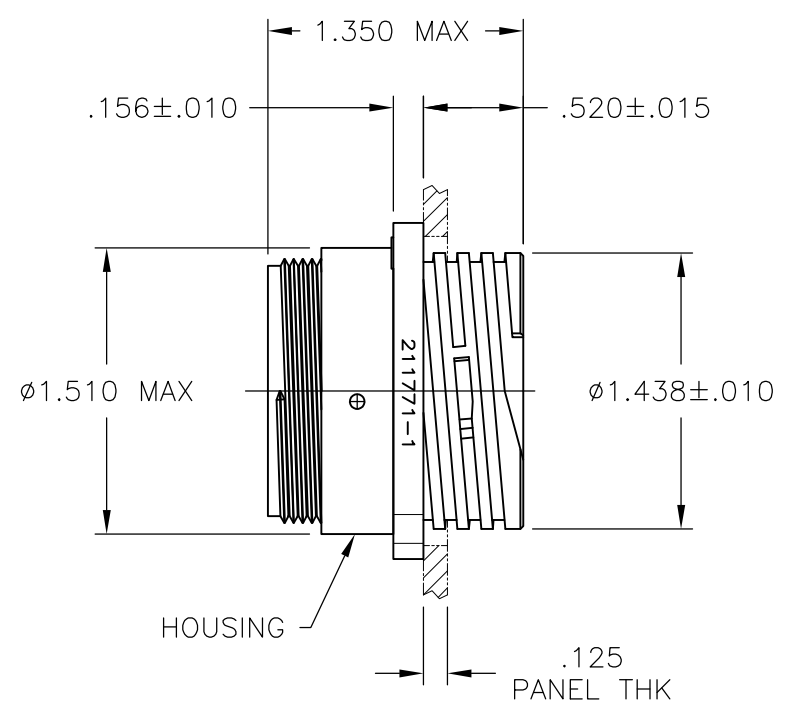
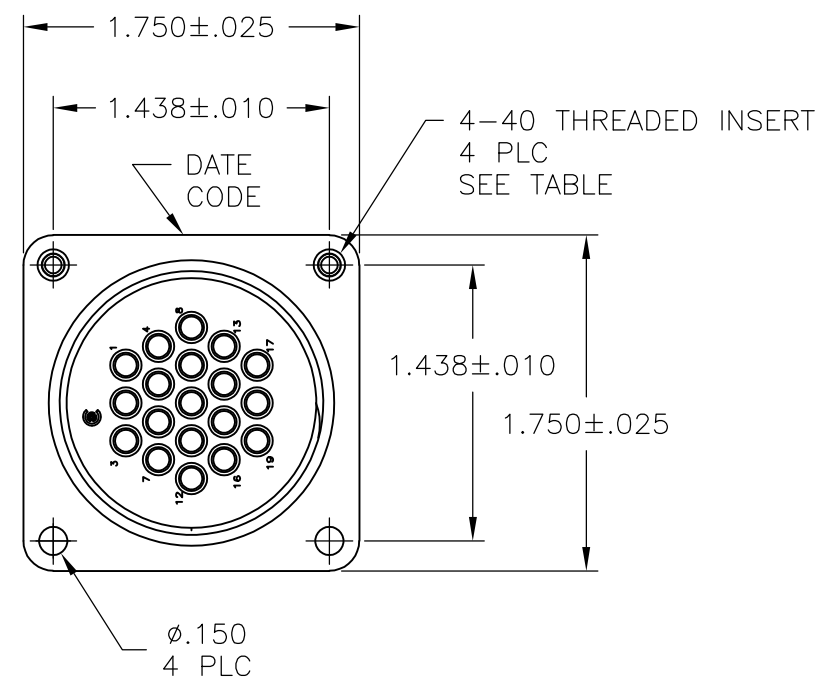


THIS DRAWING IS UNPUBLISHED. RELEASED FOR PUBLICATION
 © COPYRIGHT - By - ALL RIGHTS RESERVED.

REVISIONS					
P	LTR	DESCRIPTION	DATE	DWN	APVD
D1		REVISED PER ECO-11-004917	11MAR11	RK	HMR
E		REVISED PER ECO-16-015839	03NOV2016	RS	MZ

NOTES:

- 1 HOUSING: NYLON, BLACK.
THREADED INSERTS: BRASS.
- 2 WILL ACCEPT (19) MULTIMATE PIN CONTACTS.



YES	NORMAL	211771-2
NO	NORMAL	211771-1
4-40 THREADED INSERTS	KEYING	PART NUMBER

THIS DRAWING IS A CONTROLLED DOCUMENT.		DWN C.OBERMAN 8-16-94	STE TE Connectivity		
DIMENSIONS: INCHES		CHK R.STONE 8-17-94			
TOLERANCES UNLESS OTHERWISE SPECIFIED:		APVD - 10-3-94 A.FRANTUM	NAME		
0 PLC ± -		PRODUCT SPEC - 10-3-94 A.FRANTUM	RECEPTACLE HOUSING, STD SEX, SERIES I, SHELL SIZE 23, CPC		
1 PLC ± -		APPLICATION SPEC -	SIZE	CAGE CODE	DRAWING NO
2 PLC ± .005		WEIGHT	A3	00779	C-211771
3 PLC ± -		RESTRICTED TO			
4 PLC ± -		CUSTOMER DRAWING			
ANGLES ± -		SCALE	1:1	SHEET	1 OF 1
FINISH		REV E			

单击下面可查看定价，库存，交付和生命周期等信息

[>>TE Connectivity\(泰科\)](#)