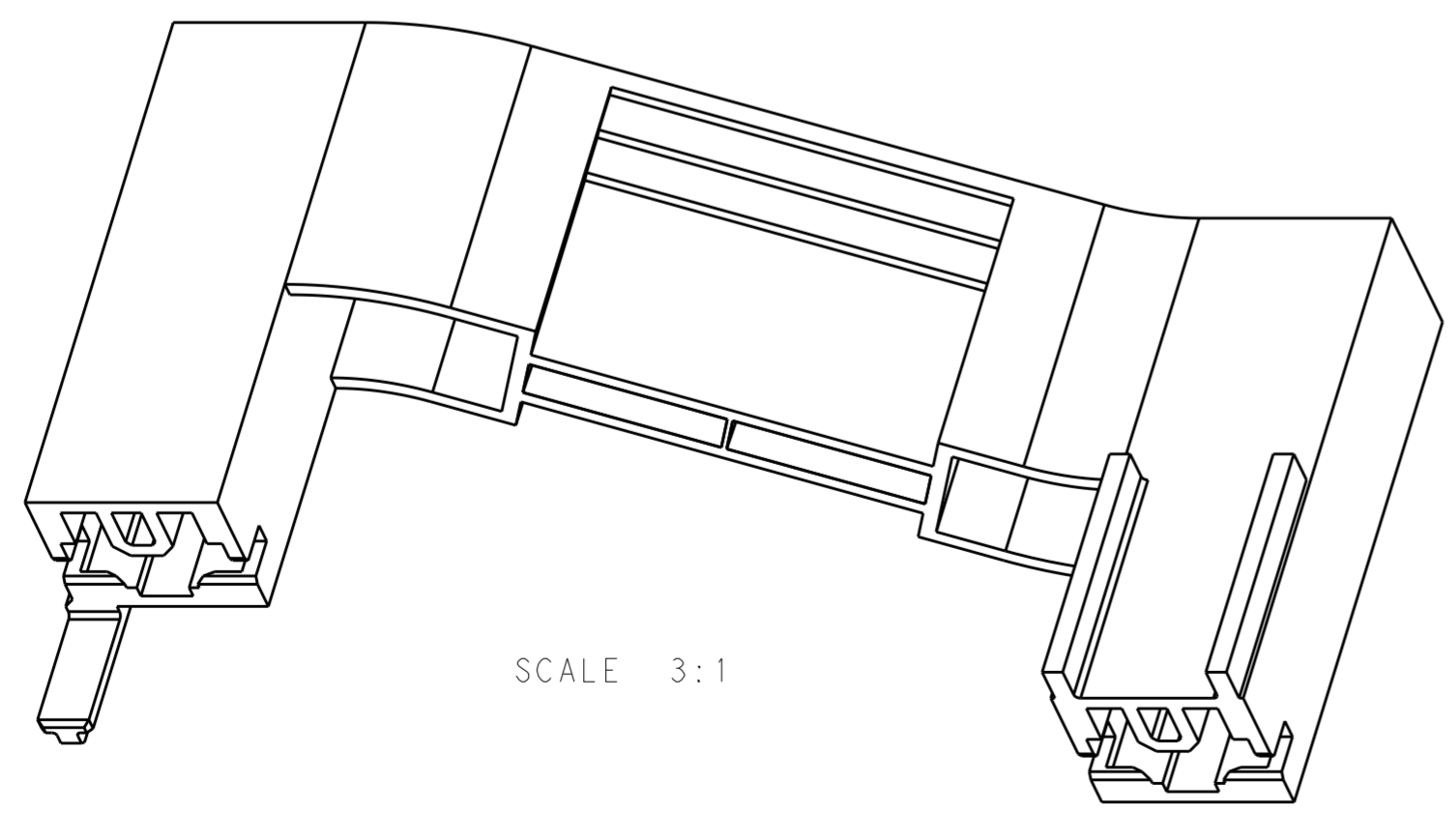
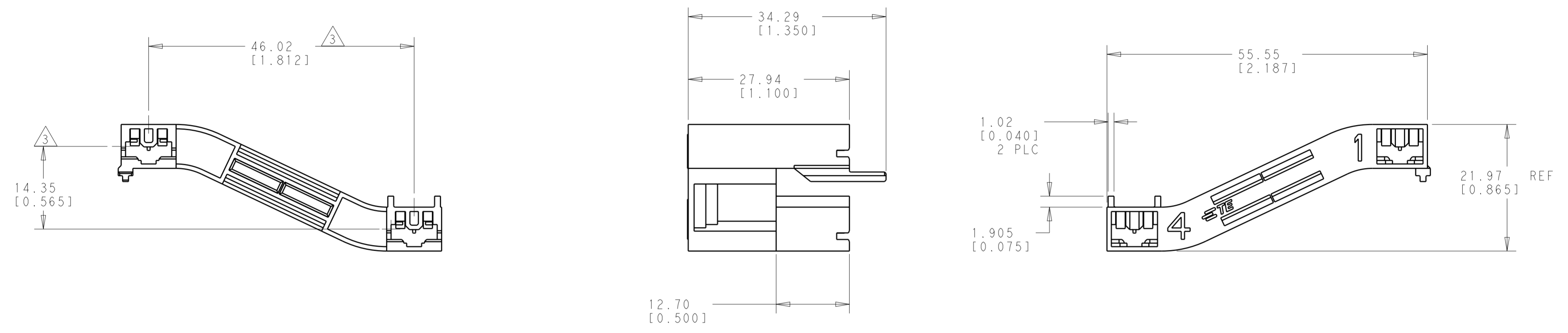


THIS DRAWING IS UNPUBLISHED. RELEASED FOR PUBLICATION
 © COPYRIGHT copyright.d8te- ALL RIGHTS RESERVED.

REVISIONS				
P	LTR	DESCRIPTION	DATE	APVD
B		REVISED PER ECO-19-012699	16AUG2019	RS LB

- USE WITH 250 SERIES MARK II POSITIVE LOCK TERMINALS 2238155, 2238156 OR 170329
 - NOTE DELETED
- △ 3 SWITCH RECOMMENDED TAB LAYOUT TO BE WITHIN ±0.127 [0.005] OF TE HOUSING CENTERLINES AND CONFORM TO .250 X .032 UL 310 DIMENSIONS



V0, 130C	BLACK	1969864-1
RATINGS	COLOR	PART NO.

THIS DRAWING IS A CONTROLLED DOCUMENT.		DWN 16OCT2018 BASVESH WARAD	STE TE Connectivity	
DIMENSIONS: mm [INCHES]		CHK 17FEB2017 DIDONATO, MICHAEL		
TOLERANCES UNLESS OTHERWISE SPECIFIED:		APVD 17FEB2017 DIDONATO, MICHAEL	NAME 2 POS POSITIVE LOCK .250 MARK II	
0 PLC ±-		PRODUCT SPEC	SIZE CAGE CODE DRAWING NO RESTRICTED TO	
1 PLC ±-		APPLICATION SPEC	A200779 C-1969864	
2 PLC ±0.38 [0.015]		WEIGHT	SCALE 2:1 SHEET 1 OF 1 REV B	
3 PLC ±0.127 [0.005]		CUSTOMER DRAWING		
4 PLC ±-				
ANGLES ±5°				
FINISH				
MATERIAL NYLON				

单击下面可查看定价，库存，交付和生命周期等信息

[>>TE Connectivity\(泰科\)](#)